

## FEATURES AND SPECIFICATIONS

### Features and Benefits

- Blind mating panel mount receptacle
- For wire-to-wire and wire-to-board applications
- Fully isolated terminals to protect contacts from damage
- Uses standard Mini-Fit series terminals

### Reference Information

Product Specification: PS-5556-0002

Packaging: Tray and bag

UL File No.: E29179

CSA File No.: LR19980

TUV License No.: R75142

Mates With: [42404](#), [42440](#), [43759](#), [43810](#), [43879](#), [44068](#) and [44474](#) headers or [42475](#) and [43770](#) plugs

Use With: [5556](#) or [44476](#) HCS terminals

Designed In: Millimeters

### Electrical

Current: (Used with 16 AWG)

Circuits	2-3	4-6	7-10	12-24
Amperes-BMI	9	8	7	6
Amperes-BMI with HCS	12	11	10	9

### Mechanical

Contact Insertion Force: 1.5kg max.

Contact Retention to Housing: 3.0kg min.

Wire Pull-Out Force: 9.0kg min.

Mating Force: 0.7kg (1.54 lb) max.

Unmating Force: 0.35kg (0.7 lb) min.

Normal Force: 200g min.

Durability: 30 cycles

### Physical

Housing: 6/6 nylon, UL 94V-2 or 94V-0

Contact: Brass or Phosphor Bronze

Plating: Tin, select Gold or overall Gold

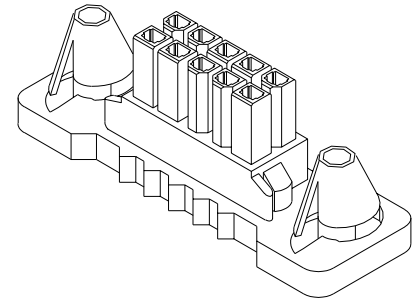
Operating Temperature: -40 to +105°C



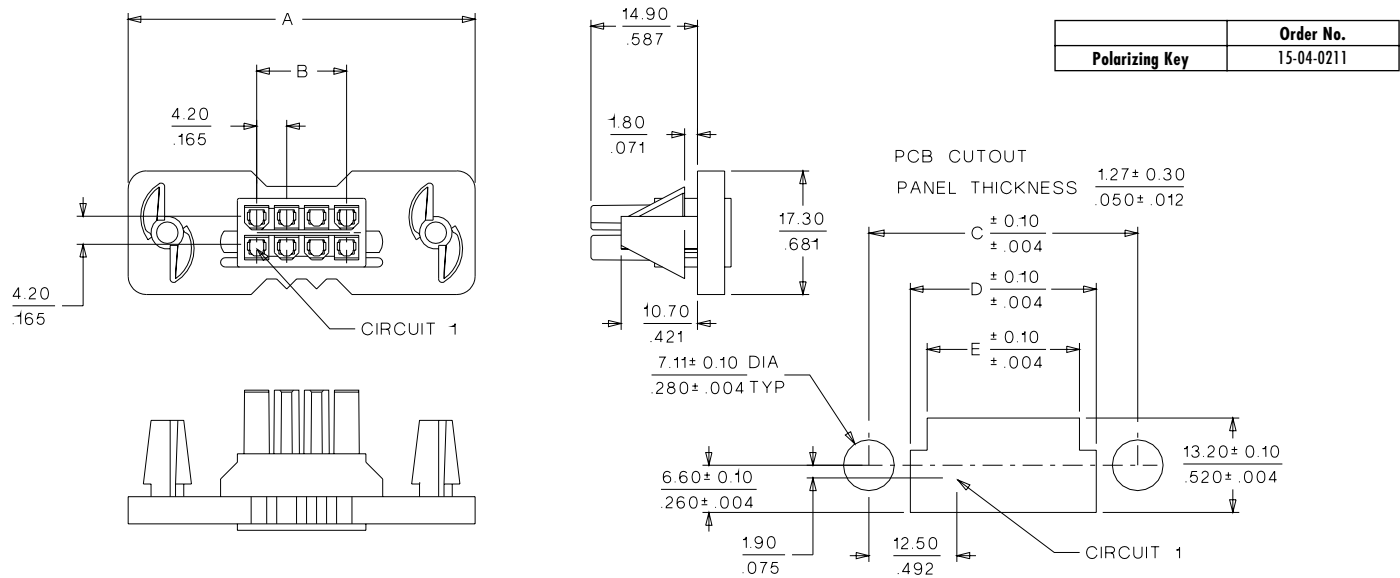
# 4.20mm (.165") Pitch Mini-Fit, BMI™ Receptacle

## 42474/43760

## Dual Row With Panel Mount Ears



## CATALOG DRAWING (FOR REFERENCE ONLY)



## ORDERING INFORMATION AND DIMENSIONS

Circuits	Order No.		Dimension				
	94V-2	94V-0	A	B	C	D	E
4	• 15-06-0040	• 15-06-0041	40.20 (1.583)	4.20 (.165)	29.20 (1.150)	17.60 (.693)	12.90 (.508)
6	• 15-06-0060	• 15-06-0061	44.40 (1.748)	8.40 (.331)	33.40 (1.315)	21.80 (.858)	17.10 (.673)
8	• 15-06-0080		48.60 (1.913)	12.60 (.496)	37.60 (1.480)	26.00 (1.023)	21.30 (.838)
10	• 15-06-0100	• 15-06-0101	52.80 (2.078)	16.80 (.661)	41.80 (1.645)	30.20 (1.189)	25.50 (1.004)
14	• 15-06-0140	• 15-06-0141	61.20 (2.409)	25.20 (.992)	50.20 (1.976)	38.60 (1.520)	33.90 (1.335)
18	• 15-06-0180	• 15-06-0181	69.60 (2.740)	33.60 (1.323)	58.60 (2.307)	47.00 (1.850)	42.30 (1.665)
24	• 15-06-0240	• 15-06-0241	82.20 (3.236)	46.20 (1.819)	71.20 (2.803)	59.60 (2.346)	54.90 (2.161)
36	43760-0001		107.40 (4.228)	71.40 (2.811)	96.40 (3.795)	81.50 (3.208)	76.78 (3.023)

• US Standard Product, available through Molex franchised distributors