

## FEATURES AND SPECIFICATIONS

### Features and Benefits

- Stacking heights: 8.0mm
- Sizes 20 to 140 circuits
- Leaf-style design protects pins
- Antiflux design
- Low insertion force
- Polarization pegs assist placement

### Reference Information

Packaging: Tube

Mates With: [52584](#)

Designed In: Millimeters

### Electrical

Voltage: 100V

Current: 0.5A

Contact Resistance: 40mΩ max.

Dielectric Withstanding Voltage: 200V AC

Insulation Resistance: 1000 MΩ min.

### Physical

Housing: White glass-filled LCP, UL 94V-0

Contact: Phosphor Bronze

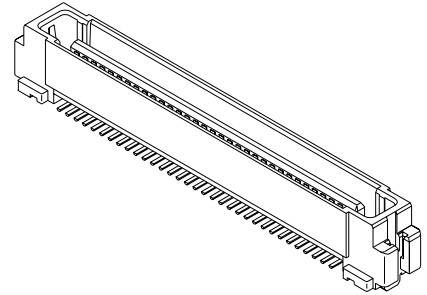
Plating: Gold (0.25μm) over Tin/Lead over Nickel

Operating Temperature: -55 to +85°C

# molex® 1.00mm (.039") Pitch Board-to-Board Plug

## 53395

## SMT, Dual Row Vertical Stacking

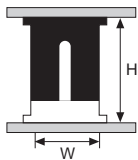


0.40 to 1.60mm (.016 to .063") Pitch

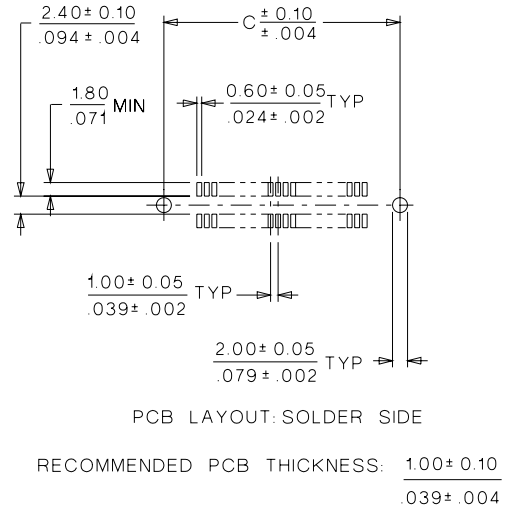
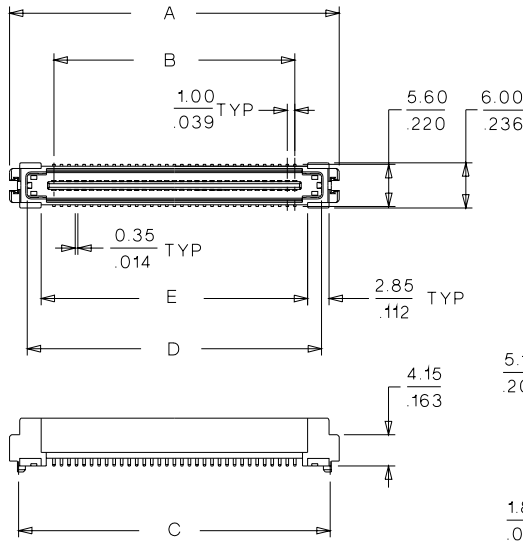
### Mating Dimensions

53395 • 52584

H=8.0mm W=6.0mm



## CATALOG DRAWING (FOR REFERENCE ONLY)



## ORDERING INFORMATION AND DIMENSIONS

Circuits	Order No.	Dimension				
		A	B	C	D	E
20	53395-0209	20.80 (.819)	9.00 (.354)	18.40 (.724)	16.02 (.631)	12.40 (.488)
34	53395-0349	27.80 (1.094)	16.00 (.630)	25.40 (1.000)	23.02 (.906)	19.40 (.764)
66	53395-0669	43.80 (1.724)	32.00 (1.260)	41.40 (1.630)	39.02 (1.536)	35.40 (1.394)
100	53395-1009	60.80 (2.394)	49.00 (1.929)	58.40 (2.299)	56.02 (2.206)	52.40 (2.063)
140	53395-1409	80.80 (3.181)	69.00 (2.717)	78.40 (3.087)	76.02 (2.993)	72.40 (2.850)

Note: Use only one connector per daughterboard in order to insure proper mating alignment