

FEATURES AND SPECIFICATIONS

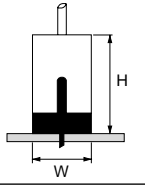
Features and Benefits

- Sizes 2 to 15 circuits
- Phosphor Bronze or Brass contact
- Guide slots facilitate mating

Reference Information

Packaging: Tray
 UL File No.: E29179
 CSA File No.: LR19980
 Mates With: 51067
 Designed In: Millimeters

Mating Dimensions
 53258/51067/50217
 H=16.5mm W=9.4mm



Electrical

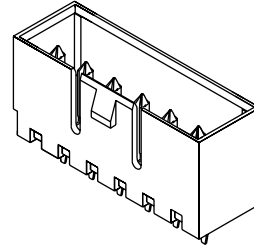
Voltage: 250V
 Current: 53258-XX10—4.5A
 53258-XX20—5.5A
 Contact Resistance: 10mΩ max.
 Dielectric Withstanding Voltage: 1500V AC/1 min.
 Insulation Resistance: 1000 MΩ min.

Physical

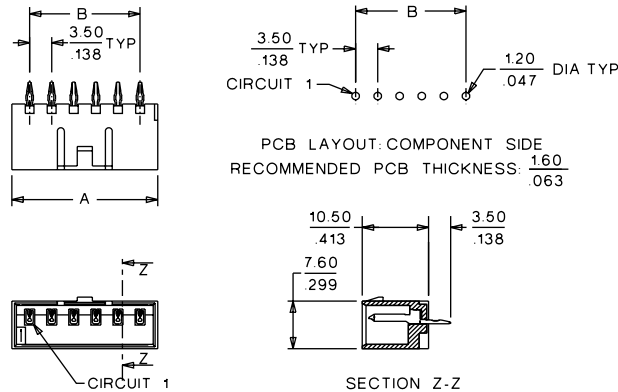
Housing: Glass-filled PBTP
 Contact: 53258-XX10—Phosphor Bronze
 53258-XX20—Brass
 Plating: Tin
 Operating Temperature: -40 to +105°C

molex® 3.50mm (.138") Pitch Wire-to-Board Header

53258 Vertical



CATALOG DRAWING (FOR REFERENCE ONLY)



ORDERING INFORMATION AND DIMENSIONS

Circuits	Order No.		Dimension	
	Phosphor Bronze	Brass	A	B
2	53258-0210	53258-0220	9.10 (.358)	3.50 (.138)
3	53258-0310	53258-0320	12.60 (.496)	7.00 (.276)
4	53258-0410	53258-0420	16.10 (.634)	10.50 (.413)
5	53258-0510	53258-0520	19.60 (.772)	14.00 (.551)
6	53258-0610	53258-0620	23.10 (.909)	17.50 (.689)
7	53258-0710	53258-0720	26.60 (1.047)	21.00 (.827)
8	53258-0810	53258-0820	30.10 (1.185)	24.50 (.965)
9	53258-0910	53258-0920	33.60 (1.323)	28.00 (1.102)
10	53258-1010	53258-1020	37.10 (1.461)	31.50 (1.240)
11	53258-1110	53258-1120	40.60 (1.598)	35.00 (1.378)
12	53258-1210	53258-1220	44.10 (1.736)	38.50 (1.516)
13	53258-1310	53258-1320	47.60 (1.874)	42.00 (1.654)
14	53258-1410	53258-1420	51.10 (2.012)	45.50 (1.791)
15	53258-1510	53258-1520	54.60 (2.150)	49.00 (1.929)

D

3.00 to 7.92mm (.118 to .312") Pitch