

FEATURES AND SPECIFICATIONS

Features and Benefits

- Stacking height: 11.0 to 14.0 and 16.0mm
- Sizes 20 to 140 circuits
- Housing lock on 20 to 70 circuits
- Anti-flux design
- Metal solder tabs provide PCB hold down and strain relief for SMT tails
- Polarizing pegs assist placement

Reference Information

Packaging: Tube and embossed tape

Mates With: [53475](#) (H=11.0mm)

[53467](#) (H=12.0mm)

[53481](#) (H=13.0mm)

[53551](#) (H=14.0mm)

[53553](#) (H=16.0mm)

Designed In: Millimeters

Electrical

Voltage: 100V

Current: 0.5A

Contact Resistance: 60mΩ max. (H=11.0, 12.0, 13.0mm)
70mΩ max. (H=14.0, 16.0mm)

Dielectric Withstanding Voltage: 250V AC

Insulation Resistance: 1000 MΩ min.

Physical

Housing: White glass-filled LCP, UL 94V-0

Contact: Phosphor Bronze

Plating: Gold over Nickel

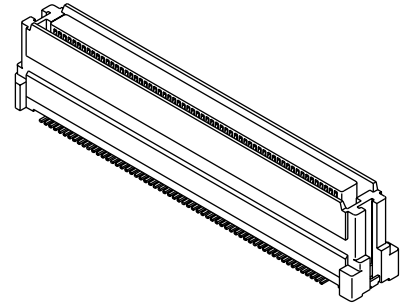
Operating Temperature: -55 to +85°C



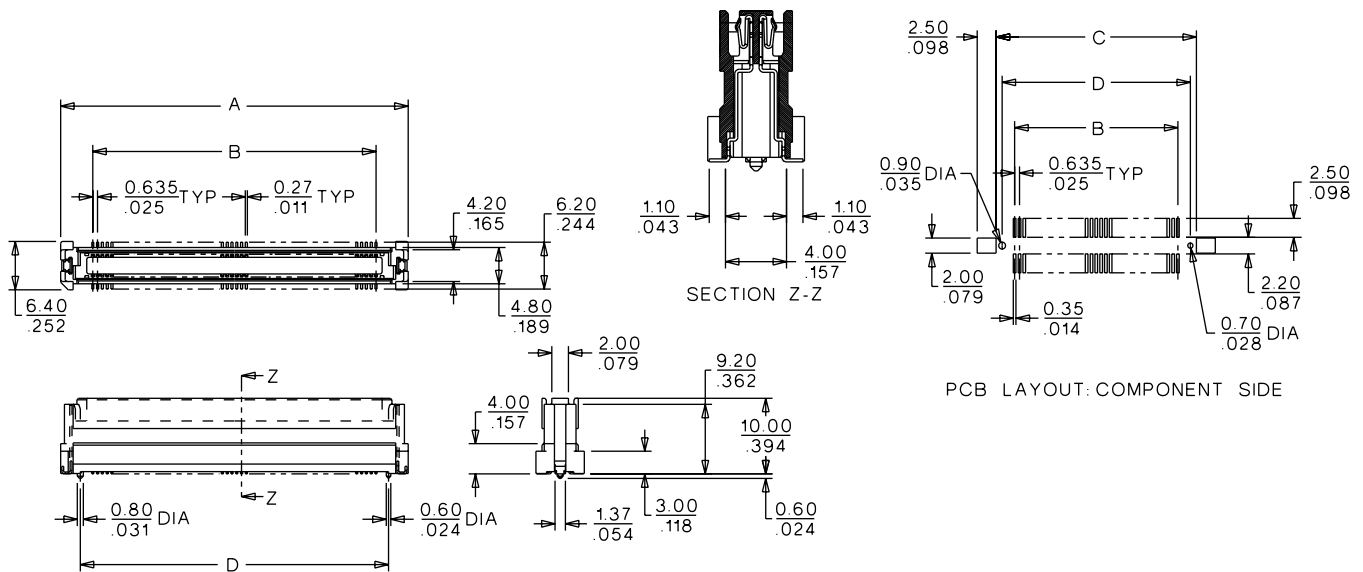
0.635mm (.025") Pitch Board-to-Board Receptacle

52837/52901

SMT, Dual Row Vertical Stacking



CATALOG DRAWING (FOR REFERENCE ONLY)



ORDERING INFORMATION AND DIMENSIONS

Circuits	Order No.			Dimension			
	Tube	Tube with Cover	Embossed Tape with Cover	A	B	C	D
20	52837-0209		52901-0204	14.22 (.559)	5.715 (.220)	10.62 (.418)	9.02 (.355)
40	52837-0409		52901-0404	20.57 (.809)	12.065 (.470)	16.97 (.668)	15.37 (.605)
60	52837-0609		52901-0604	26.92 (1.059)	18.415 (.720)	23.32 (.918)	21.72 (.855)
70			52901-0704	30.10 (1.185)	21.59 (.850)	26.50 (1.043)	24.90 (.980)
80	52837-0809		52901-0804	33.27 (1.310)	24.765 (.975)	29.67 (1.168)	28.07 (1.105)
90			52901-0904	36.45 (1.435)	27.94 (1.100)	32.85 (1.293)	31.25 (1.230)
120	52837-1209	52901-1205		45.97 (1.809)	37.465 (1.475)	42.37 (1.668)	40.77 (1.605)
140	52837-1409			52.32 (2.059)	43.815 (1.725)	48.72 (1.918)	47.12 (1.855)

Note: Use only one connector per daughterboard in order to insure proper mating alignment

Note: Contact Molex for embossed tape specifications