

## FEATURES AND SPECIFICATIONS

### Features and Benefits

- Sizes 2 to 12 circuits
- With locking ramp

### Reference Information

Packaging: Bag  
 UL File No.: E29179  
 CSA File No.: LR19980  
 Mates With: 5271-NA, 5272-NA, 5273-NA, 5274-NA,  
 5096-NC and 53405 headers  
 Use With: 2478, 5167, 2578 and 5168  
 Designed In: Millimeters

### Electrical

Voltage: 250V  
 Current: 7.0A  
 Contact Resistance: 10mΩ max.  
 Dielectric Withstanding Voltage: 1500V AC/1 min.  
 Insulation Resistance: 1000 MΩ min.

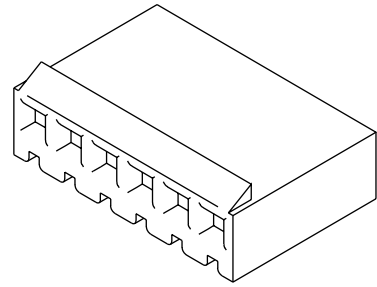
### Physical

Housing: 6/6 nylon, UL 94V-2  
 Operating Temperature: -40 to +105°C

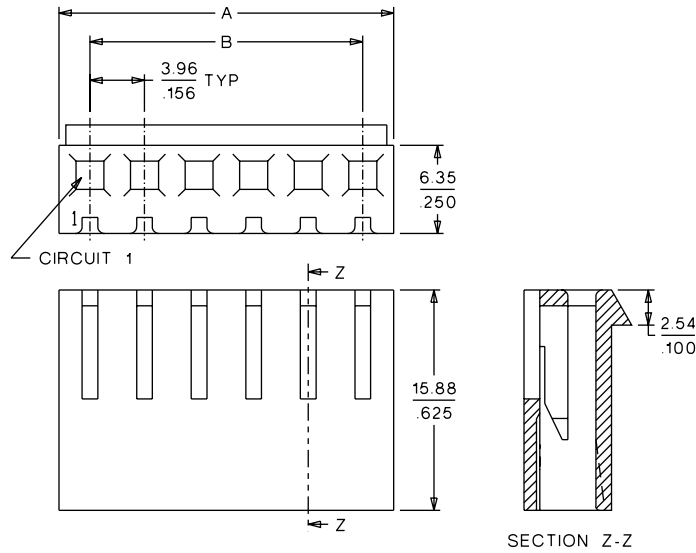


# 3.96mm (.156") Pitch KK<sup>®</sup> Crimp Terminal Housing

## 5239-N



## CATALOG DRAWING (FOR REFERENCE ONLY)



## ORDERING INFORMATION AND DIMENSIONS

Circuits	Order No.	Dimension	
		A	B
2	09-52-4024	8.61 (.339)	3.96 (.156)
3	09-52-4034	12.57 (.495)	7.92 (.312)
4	09-52-4044	16.53 (.651)	11.88 (.468)
5	09-52-4054	20.49 (.807)	15.84 (.624)
6	09-52-4064	24.45 (.963)	19.80 (.780)
7	09-52-4074	28.41 (1.119)	23.76 (.935)
8	09-52-4084	32.37 (1.274)	27.72 (1.091)
9	09-52-4094	36.33 (1.430)	31.68 (1.247)
10	09-52-4104	40.29 (1.586)	35.64 (1.403)
11	09-52-4114	44.25 (1.742)	39.60 (1.559)
12	09-52-4124	48.21 (1.898)	43.56 (1.715)

D 3.00 to 7.92mm (.118 to .312") Pitch