

FEATURES AND SPECIFICATIONS

Features and Benefits

- Sizes 2 to 30 circuits
- Very thin design (1.80mm)
- Housing lance provides extra terminal retention
- Friction lock provides secure mating
- Polarized design

Reference Information

Packaging: Bag

Use With: [50641](#) or [50753](#) terminal

Mates With: [53779](#), [53780](#), [55063](#), [55176](#), [55177](#)
and [55178](#)

Designed In: Millimeters

Electrical

Voltage: 125V

Current: 1.0A

Contact Resistance: 20mΩ max.

Dielectric Withstanding Voltage:

Mated with 55063, 53779 or 53780—250V AC

Mated with 55176, 55177 or 55178—500V AC

Insulation Resistance: 100 MΩ min.

Physical

Housing: PBTP, UL 94V-0

Operating Temperature:

Mated with 55063, 53779 or 53780 — -40 to +85°C

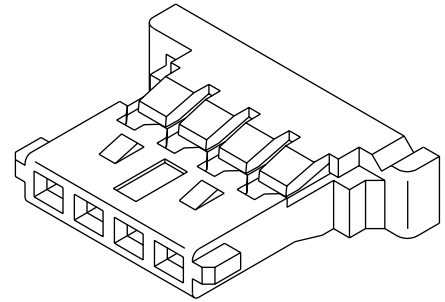
Mated with 55176, 55177 or 55178 — -40 to +105°C



1.25mm (.049") Pitch PanelMate™ Wire-to-Board Housing

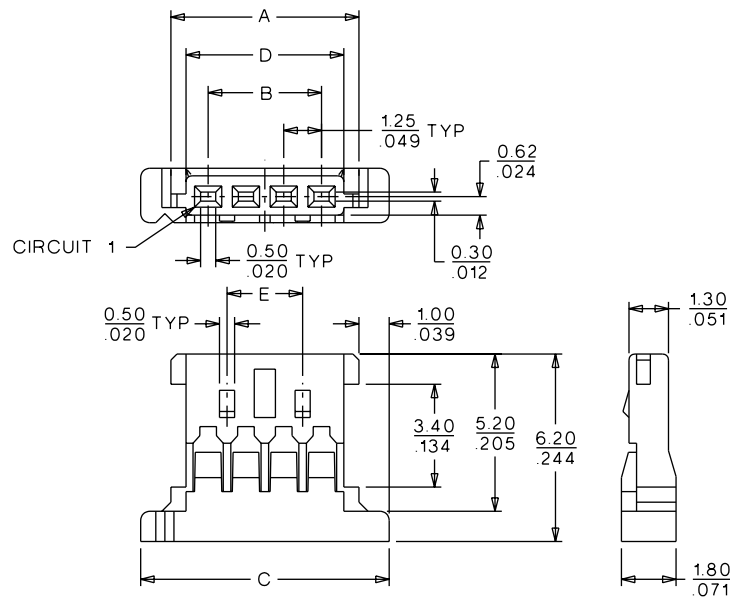
51146

Ultra Low Profile



0.40 to 1.60mm (.016 to .063") Pitch

CATALOG DRAWING (FOR REFERENCE ONLY)



ORDERING INFORMATION AND DIMENSIONS

Circuits	Order No.	Dimension				
		A	B	C	D	E
2	51146-0200	3.72 (.146)	1.25 (.049)	5.72 (.225)	2.72 (.107)	
3	51146-0300	4.97 (.195)	2.50 (.098)	6.97 (.274)	3.97 (.156)	
4	51146-0400	6.22 (.245)	3.75 (.148)	8.22 (.324)	5.22 (.206)	2.50 (.098)
5	51146-0500	7.47 (.294)	5.00 (.197)	9.47 (.373)	6.47 (.255)	3.75 (.148)
6	51146-0600	8.72 (.343)	6.25 (.246)	10.72 (.422)	7.72 (.304)	5.00 (.197)
7	51146-0700	9.97 (.393)	7.50 (.295)	11.97 (.471)	8.97 (.353)	6.25 (.246)
8	51146-0800	11.22 (.442)	8.75 (.334)	13.22 (.520)	10.22 (.402)	7.50 (.296)
9	51146-0900	12.47 (.491)	10.00 (.394)	14.47 (.570)	11.47 (.452)	8.75 (.344)
14	51146-1400	18.72 (.737)	16.25 (.640)	20.72 (.816)	17.72 (.695)	15.00 (.591)
15	51146-1500	19.97 (.786)	17.50 (.689)	21.97 (.865)	18.97 (.747)	16.25 (.640)
20	51146-2000	26.22 (1.032)	23.75 (.935)	28.22 (1.111)	25.22 (.993)	22.50 (.886)
22	51146-2200	28.72 (1.131)	26.25 (1.033)	30.72 (1.209)	27.72 (1.091)	22.50 (.886)
26	51146-2600	33.72 (1.328)	31.25 (1.230)	35.72 (1.406)	32.72 (1.288)	22.50 (.886)
30	51146-3000	38.72 (1.524)	36.25 (1.427)	40.72 (1.603)	37.72 (1.485)	22.50 (.886)