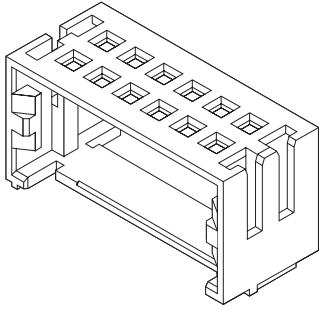


2.00mm (.079") Pitch Mi II™ System Clip

51094
Dual Row



Features and Benefits

- Sizes 6 to 30 circuits
- Joins two single row receptacles (52484) to mate with a dual row header (53313)

Reference Information

Packaging: Bag
CSA File No.: LR19980
Mates With: 53313
Use With: 52484
Designed In: Millimeters

Physical

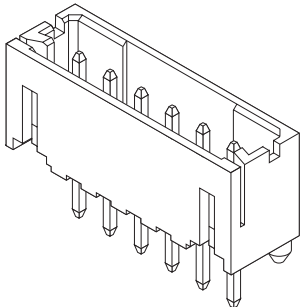
Housing: Gray PBT, UL 94V-0
Operating Temperature: -40 to +105°C

Circuits	Order No.
6	51094-0605
8	51094-0805
10	51094-1005
12	51094-1205
14	51094-1405
16	51094-1605
18	51094-1805

Circuits	Order No.
20	51094-2005
22	51094-2205
24	51094-2405
26	51094-2605
28	51094-2805
30	51094-3005

2.00mm (.079") Pitch Mi II™ System Wire-to-Board Header

53324
Single Row
Vertical



Features and Benefits

- Sizes 2 to 15 circuits
- Outer pins are kinked
- Polarization peg ensures proper PCB placement

Reference Information

Packaging: Tray
UL File No.: E29179
CSA File No.: LR19980
Mates With: 51090 and 52484
Designed In: Millimeters

Electrical

Voltage: 125V
Current:

AWG	24	26	28	30
	2.0A	1.5A	1.0A	0.5A

Contact Resistance: 20 milliohms max.
Dielectric Withstanding Voltage: 500V
Insulation Resistance: 1000 Megohms min.

Physical

Housing: Glass-filled PBT, UL 94V-0
Contact: Brass
Plating: Tin
Operating Temperature: -40 to +105°C

Circuits	Order No.	Lead-free
2	53324-0260	Yes
3	53324-0360	
4	53324-0460	
5	53324-0560	
6	53324-0660	
7	53324-0760	
8	53324-0860	

Circuits	Order No.	Lead-free
9	53324-0960	Yes
10	53324-1060	
11	53324-1160	
12	53324-1260	
13	53324-1360	
14	53324-1460	
15	53324-1560	