

## FEATURES AND SPECIFICATIONS

### Features and Benefits

- Sizes 2 to 15 circuits
- Housing lance provides extra terminal retention
- Friction lock provides secure mating

### Reference Information

Packaging: Bag  
 UL File No.: E29179  
 CSA File No.: LR19980  
 Mates With: [53253](#) and [53254](#)  
 Use With: [50212](#)  
 Designed In: Millimeters

### Electrical

Voltage: 125V  
 Current:

AWG	24	26	28	30
Amperes	2.0	1.5	1.0	0.5

Contact Resistance: 20mΩ max.  
 Dielectric Withstanding Voltage: 500V AC  
 Insulation Resistance: 1000 MΩ min.

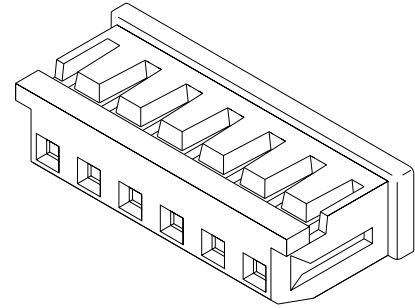
### Physical

Housing: PBTP, UL 94V-0  
 Operating Temperature: -40 to +85°C



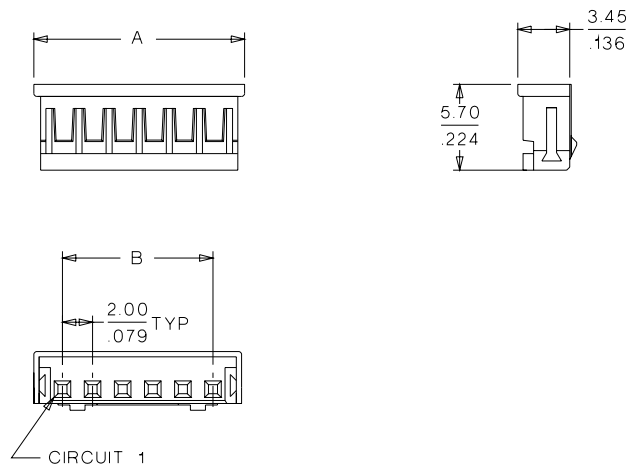
## 2.00mm (.079") Pitch Wire-to-Board Housing

### 51065



B 2.00 to 2.50mm (.079 to .098") Pitch

## CATALOG DRAWING (FOR REFERENCE ONLY)



## ORDERING INFORMATION AND DIMENSIONS

Circuits	Order No.	Dimension	
		A	B
2	51065-0200	5.80 (.228)	2.00 (.079)
3	51065-0300	7.80 (.307)	4.00 (.157)
4	51065-0400	9.80 (.386)	6.00 (.236)
5	51065-0500	11.80 (.465)	8.00 (.314)
6	51065-0600	13.80 (.543)	10.00 (.393)
7	51065-0700	15.80 (.622)	12.00 (.472)
8	51065-0800	17.80 (.701)	14.00 (.551)
9	51065-0900	19.80 (.780)	16.00 (.629)
10	51065-1000	21.80 (.858)	18.00 (.708)
11	51065-1100	23.80 (.937)	20.00 (.787)
12	51065-1200	25.80 (1.016)	22.00 (.866)
13	51065-1300	27.80 (1.094)	24.00 (.944)
14	51065-1400	29.80 (1.173)	26.00 (1.023)
15	51065-1500	31.80 (1.252)	28.00 (1.102)