

FEATURES AND SPECIFICATIONS

Features and Benefits

- Sizes 2 to 18 circuits

Reference Information

Product Specification: PS-08-50
 Packaging: Bag
 UL File No.: E29179
 CSA File No.: LR19980
 Mates With: Molex .156" connectors
 Designed In: Inches

Electrical

Voltage: 250V
 Current: 7.0A
 Contact Resistance: 20mΩ max.
 Dielectric Withstanding Voltage: 1500V
 Insulation Resistance: 500K MΩ min.

Mechanical

Mating Force: 24 oz max.
 Unmating Force: 4 oz min.
 Normal Force: 350g
 Durability: 25 cycles Tin

Physical

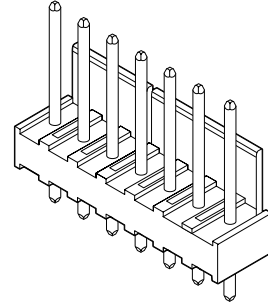
Housing: Nylon, UL 94V-0
 Contact: Brass, 1.14mm (.045") round
 Plating: 5μm Tin and 0.51μm Gold
 Operating Temperature: 0 to +75°C

molex® 3.96mm (.156") Pitch
KK®

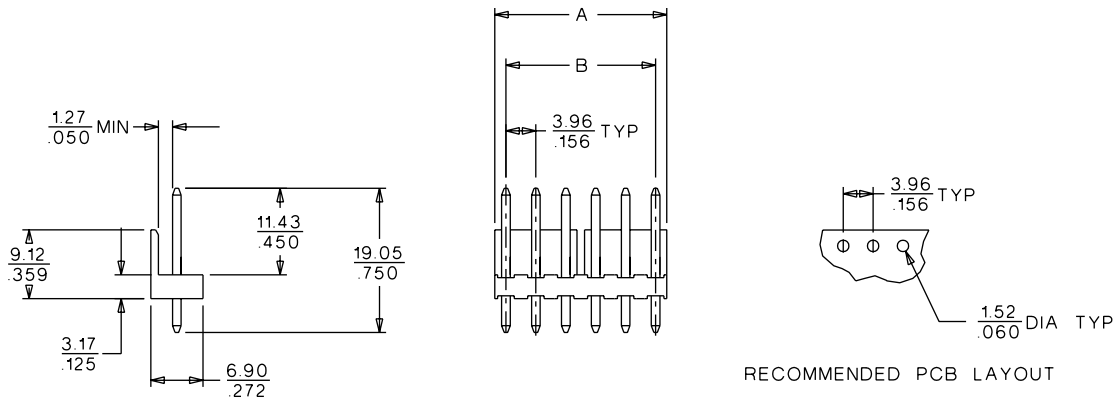
Header

3190

**Vertical, Round Pin
 Polarizing Wall**



CATALOG DRAWING (FOR REFERENCE ONLY)



ORDERING INFORMATION AND DIMENSIONS

| Circuits | Order No. | | Dimension | |
|----------|------------|------------|---------------|---------------|
| | Tin | Gold | A | B |
| 2 | 26-19-2021 | 26-22-2021 | 7.92 (.312) | 3.96 (.156) |
| 3 | 26-19-2031 | 26-22-2031 | 11.89 (.468) | 7.92 (.312) |
| 4 | 26-19-2041 | 26-22-2041 | 15.85 (.624) | 11.89 (.468) |
| 5 | 26-19-2051 | 26-22-2051 | 19.81 (.780) | 15.85 (.624) |
| 6 | 26-19-2061 | 26-22-2061 | 23.77 (.936) | 19.81 (.780) |
| 7 | 26-19-2071 | 26-22-2071 | 27.74 (1.092) | 23.77 (.936) |
| 8 | 26-19-2081 | 26-22-2081 | 31.70 (1.248) | 27.74 (1.092) |
| 9 | 26-19-2091 | 26-22-2091 | 35.66 (1.404) | 31.70 (1.248) |
| 10 | 26-19-2101 | 26-22-2101 | 39.62 (1.560) | 35.66 (1.404) |

| Circuits | Order No. | | Dimension | |
|----------|------------|------------|---------------|---------------|
| | Tin | Gold | A | B |
| 11 | 26-19-2111 | 26-22-2111 | 43.59 (1.716) | 39.62 (1.560) |
| 12 | 26-19-2121 | 26-22-2121 | 47.55 (1.872) | 43.59 (1.716) |
| 13 | 26-19-2131 | 26-22-2131 | 51.51 (2.028) | 47.55 (1.872) |
| 14 | 26-19-2141 | 26-22-2141 | 55.47 (2.184) | 51.51 (2.028) |
| 15 | 26-19-2151 | 26-22-2151 | 59.44 (2.340) | 55.47 (2.184) |
| 16 | 26-19-2161 | 26-22-2161 | 63.40 (2.496) | 59.44 (2.340) |
| 17 | 26-19-2171 | 26-22-2171 | 67.36 (2.652) | 63.40 (2.496) |
| 18 | 26-19-2181 | 26-22-2181 | 71.32 (2.808) | 67.36 (2.652) |

D
 3.00 to 7.92mm (.118 to .312") Pitch