

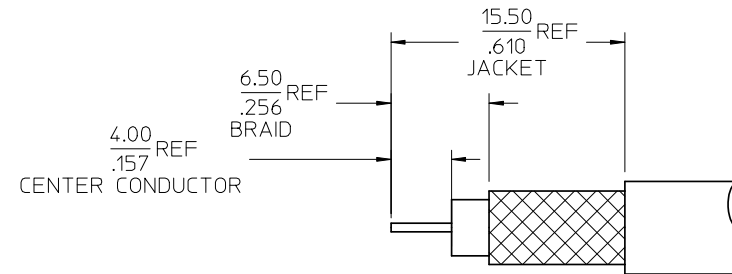
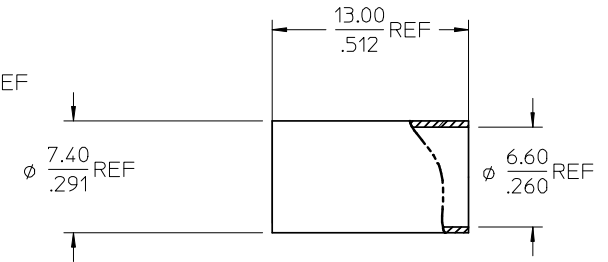
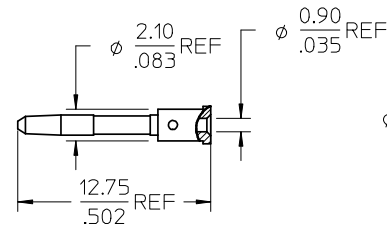
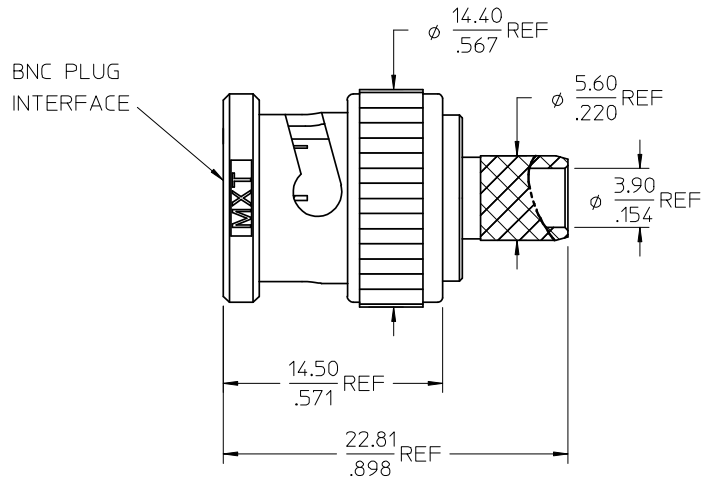
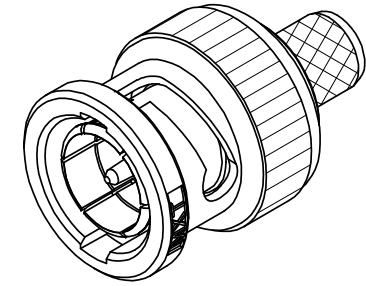
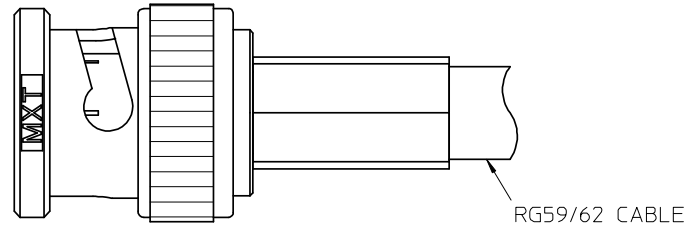
MATERIALS AND FINISHES

COUPLING NUT ZINC
PLATED NICKEL

BODY, FERRULE, WASHER BRASS
PLATED NICKEL

DIELECTRIC POLYPROPYLENE

CENTER CONTACT BRASS
PLATED GOLD



RECOMMENDED CABLE STRIP
CRIMP USING 6.48 HEX DIE

73174-0103	INDIVIDUAL BAGS
73174-0102	BULK PACK
73174-0101	TRAY PACK
PART NO.	PACKAGING

CHG: REDREW IN SD	QUALITY SYMBOLS
EC NO: URF2008-0372	▽=0
DRWN: JWIENER 2008/01/23	▽=0
CHKD: SSHAH 2008/01/23	
APPR: JWIENER 2008/01/23	
REV	DESCRIPTION
C1	

GENERAL TOLERANCES (UNLESS SPECIFIED)	
mm	INCH
4 PLACES ± .005	± .0005
3 PLACES ± .003	± .0003
2 PLACES ± .002	± .0002
1 PLACE ± .001	± .0001
ANGULAR ± 2°	
DRAFT WHERE APPLICABLE MUST REMAIN WITHIN DIMENSIONS	

DIMENSION STYLE	
MM/IN	
DRAWN BY	DATE
KELLY	1992/08/05
CHECKED BY	DATE
IRIS	1992/08/05
APPROVED BY	DATE
WALLY	1992/08/05
MATERIAL NO.	
SEE TABLE	
SIZE	
THIS DRAWING CONTAINS INFORMATION THAT IS PROPRIETARY TO MOLEX INCORPORATED AND SHOULD NOT BE USED WITHOUT WRITTEN PERMISSION	

SCALE	DESIGN UNITS	THIRD ANGLE PROJECTION
4:1	METRIC	
TITLE		
BNC PLUG RG59/62		
75 OHM		
BNC-PC		
MOLEX MOLEX INCORPORATED		
MATERIAL NO.	DOCUMENT NO.	SHEET NO.
	SD-73174-010	1 OF 1