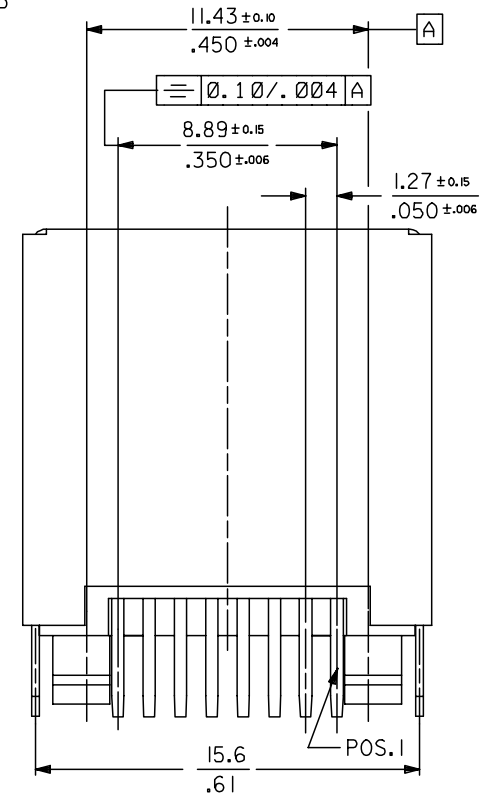
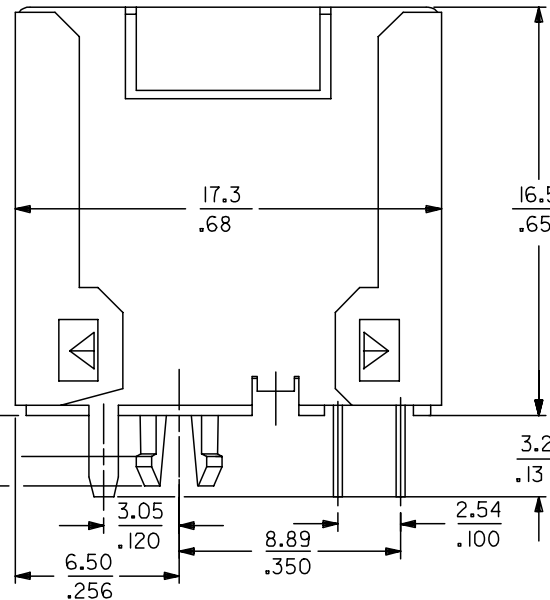
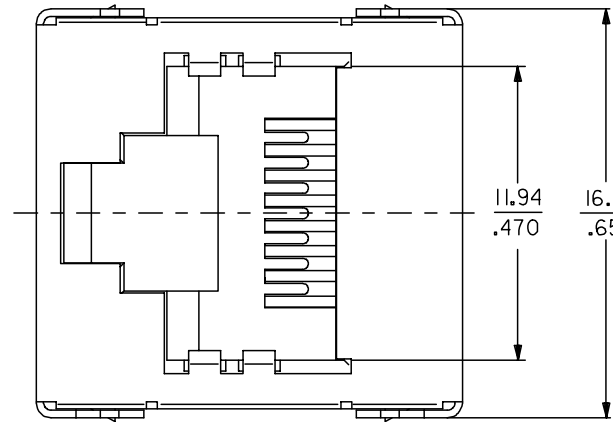
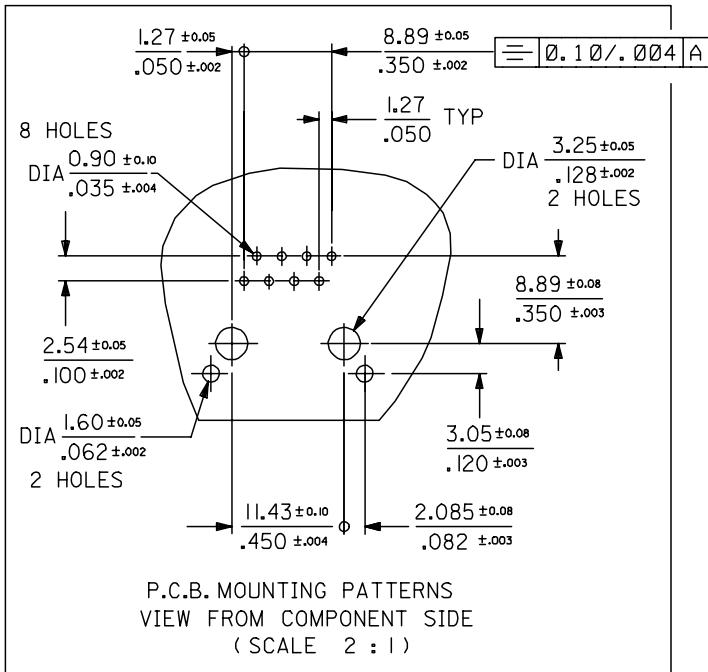


**TECHNICAL SPECIFICATIONS:**

I- MATERIAL: HOUSING: LCP GLASS FILLED UL 94 V-0  
 COLOR : BLACK  
 TERMINAL : PHOSPHOR BRONZE PLATED WITH  
 0.00127-0.00152/.000050-.000060 GOLD  
 IN CONTACT AREA , 0.00190/.000075 MIN  
 PURE TIN IN TAIL AREA BOTH OVER  
 0.00127/.000050 MIN NICKEL OVERALL  
 SHIELD : BRASS PLATED WITH 0.0020/.000078  
 MIN TIN

PART NUMBER	TOOLED	PCB THICKNESS
95623-2881	YES	1.57/.062



**NOTES :**

- 1- JACK FOR MATING WITH F.C.C. 68 PLUGS 95043 MOLEX SERIES.
- 2- PRODUCT SPECIFICATION: MOLEX PS-95622.
- 3- PACKAGING SPECIFICATION: MOLEX PK-95123.
- 4- P.C. BOARD THICKNESS (SEE CHART)

ORIGINAL RELEASE EC NO: E2007-0434 DRWN: D.BYRNES 2006/11/28 CHKD: 2006/11/28 APPR: EOMAHONY 2006/11/30	DESCRIPTION
REV	

QUALITY SYMBOLS	▽=0 ∇=0
-----------------	------------

GENERAL TOLERANCES (UNLESS SPECIFIED)	MM	INCH
4 PLACES	± ---	± ---
3 PLACES	± ---	± .010
2 PLACES	± 0.25	± .014
1 PLACE	± 0.35	± ---
ANGULAR ±1/2°		
DRAFT WHERE APPLICABLE MUST REMAIN WITHIN DIMENSIONS		

DIMENSION STYLE	MM/IN
DRAWN BY	D.BYRNES
DATE	2006/11/14
CHECKED BY	EOMAHONY
DATE	2006/11/15
APPROVED BY	EOMAHONY
DATE	2006/11/15
MATERIAL NO.	95623-2881
SIZE	A3

SCALE	5:1
DESIGN UNITS	METRIC
THIRD ANGLE PROJECTION	
TITLE	
FULLY SHIELDED TOP ENTRY MODULAR JACK 8 CKTS (THROUGH HOLE VERSION)	
MOLEX MOLEX INCORPORATED	
DOCUMENT NO.	SD-95623-001
SHEET NO.	1 OF 1
THIS DRAWING CONTAINS INFORMATION THAT IS PROPRIETARY TO MOLEX INCORPORATED AND SHOULD NOT BE USED WITHOUT WRITTEN PERMISSION	