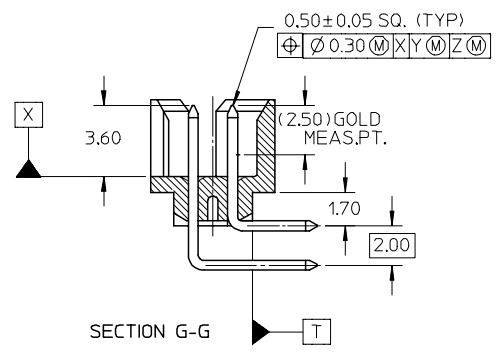
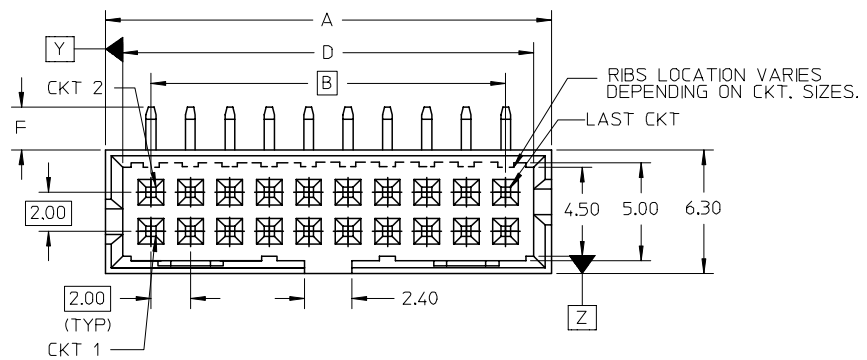


10 9 8 7 6 5 4 3 2 1

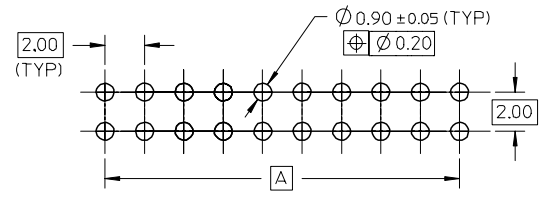
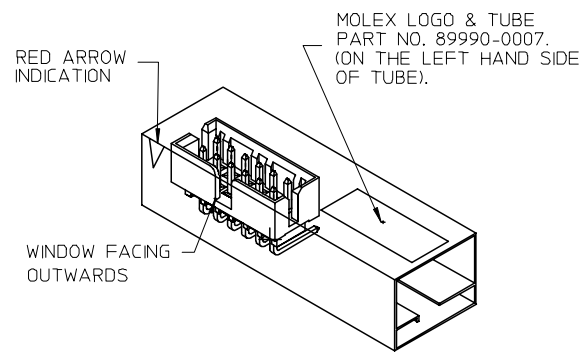
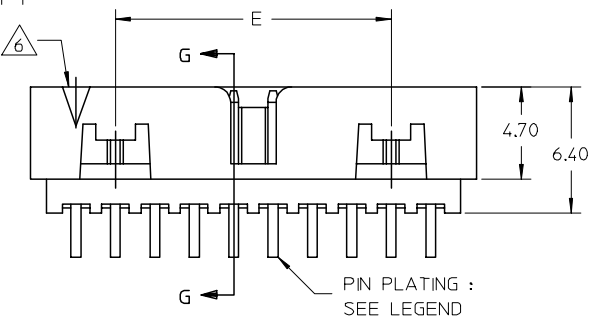
F

F



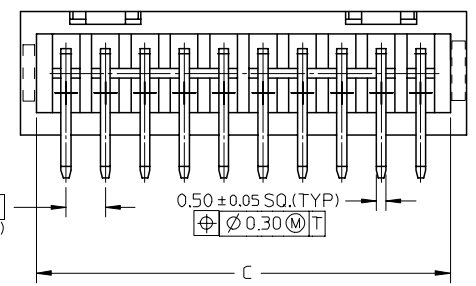
E

E



D

D



REF: ORIENTATION OF PART IN TUBE
(FOR THE REFERENCE OF PART/TUBE ASSEMBLY)

RECOMMENDED PCB PATTERN

B

B

- NOTES:
- FOR ILLUSTRATION PURPOSES, 20 CIRCUIT SIZE WAFER IS SHOWN.
 - MATERIAL :
HOUSING : NYLON 46, UL94V-0, COLOR BLACK.
PIN : 0.50MM SQ.PHOSPHOR BRONZE.
 - PRODUCT SPECIFICATION PS-87831-027 APPLIES.
 - NO CENTRE POLARIZATION SLOT FOR CKT SIZE 4 AND 6.
 - NO SIDE LOCKING SLOT FROM 4 TO 12 CKT SIZE.
CKT 4 & 6 HAS NO IDENTIFICATION TAG.
 - THIS HEADER MATES WITH MOLEX:
a) CRIMP RECEPTACLE HOUSING, 51110 SERIES WITH CRIMP TERMINAL, 50394 SERIES.
b) 2MM MILLIGRID DUAL ROW IDT, 87568 SERIES.

PDR S-001249-00-00 EC NO: S2006-1047 DRWN: LUIAO CHKD: MLONG APPR: PTLIM	2006/04/24	QUALITY SYMBOLS ▽=0 △=0	DESCRIPTION
	2006/04/26		
	2006/04/26		
	2006/04/26		
A7	REV		

GENERAL TOLERANCES (UNLESS SPECIFIED)	DIMENSION STYLE MM ONLY	
	mm	INCH
4 PLACES	± ---	± ---
3 PLACES	± ---	± ---
2 PLACES	± 0.2	± ---
1 PLACE	± ---	± ---
ANGULAR ± 3°		
DRAFT WHERE APPLICABLE MUST REMAIN WITHIN DIMENSIONS		

DRAWN BY ATSEE	DATE 2003/10/23
CHECKED BY KCLING	DATE 2003/11/07
APPROVED BY SKTOH	DATE 2003/11/07
MATERIAL NO. SEE TABLE	

SCALE NTS	DESIGN UNITS METRIC	THIRD ANGLE PROJECTION
TITLE MGRID, SHROUDED HEADER W/SLOT AND STANDOFF, R/A		
MOLEX INCORPORATED		
DOCUMENT NO. SD-87833-010	SHEET NO. 1 OF 2	
THIS DRAWING CONTAINS INFORMATION THAT IS PROPRIETARY TO MOLEX INCORPORATED AND SHOULD NOT BE USED WITHOUT WRITTEN PERMISSION		

9 8 7 6 5 4 3 2 1

A

10 9 8 7 6 5 4 3 2 1

F

E

D

C

B

A

PLS REFER TO PART 87833-***3* FOR CENTER LOCKING SLOT OPTION.

PART NUMBER LEGEND :

87833 - * * * * *

PLATING OPTIONS:

20 - 0.38um/15uin GOLD IN CONTACT AREA AND 1.88um/75uin MIN.TIN IN SOLDER TAIL AREA OVER 1.27um/50uin MIN. NICKEL OVERALL.

21 - 0.76um/30uin GOLD IN CONTACT AREA AND 1.88um/75uin MIN.TIN IN SOLDER TAIL AREA OVER 1.27um/50uin MIN. NICKEL OVERALL.

PART NO.	CKT SIZE	VOID PIN LOCATION	DIMENSION					
			A	B	C	D	E	F
87833-042*	4	-	6.65	2.00	5.00	4.85	-----	
87833-062*	6	-	8.65	4.00	7.00	6.85	-----	
87833-082*	8	-	10.65	6.00	9.00	8.85	-----	
87833-102*	10	-	12.65	8.00	11.00	10.85	-----	
87833-122*	12	-	14.65	10.00	13.00	12.85	-----	
87833-142*	14	-	16.65	12.00	15.00	14.85	8.00	
87833-162*	16	-	18.65	14.00	17.00	16.85	10.00	
87833-182*	18	-	20.65	16.00	19.00	18.85	12.00	
87833-202*	20	-	22.65	18.00	21.00	20.85	14.00	
87833-222*	22	-	24.65	20.00	23.00	22.85	16.00	
87833-242*	24	-	26.65	22.00	25.00	24.85	18.00	
87833-262*	26	-	28.65	24.00	27.00	26.85	20.00	
87833-282*	28	-	30.65	26.00	29.00	28.85	22.00	2.16
87833-302*	30	-	32.65	28.00	31.00	30.85	24.00	
87833-322*	32	-	34.65	30.00	33.00	32.85	26.00	
87833-342*	34	-	36.65	32.00	35.00	34.85	28.00	
87833-362*	36	-	38.65	34.00	37.00	36.85	30.00	
87833-382*	38	-	40.65	36.00	39.00	38.85	32.00	
87833-402*	40	-	42.65	38.00	41.00	40.85	34.00	
87833-422*	42	-	44.65	40.00	43.00	42.85	36.00	
87833-442*	44	-	46.65	42.00	45.00	44.85	38.00	
87833-462*	46	-	48.65	44.00	47.00	46.85	40.00	
87833-482*	48	-	50.65	46.00	49.00	48.85	42.00	
87833-502*	50	-	52.65	48.00	51.00	50.85	44.00	
87833-5121	26	13	28.65	24.00	27.00	26.85	20.00	
87833-5120	10	7	12.65	8.00	11.00	10.85	-----	
87833-5520	40	21	42.65	38.00	41.00	40.85	34.00	
87833-5620	20	14	22.65	18.00	21.00	20.85	14.00	
87833-5720	24	13	26.65	22.00	25.00	24.85	18.00	
87833-5320	14	-	16.65	12.00	15.00	14.85	8.00	
87833-5420	34	-	36.65	32.00	35.00	34.85	28.00	3.18

F

E

D

C

B

A

<p>PDR S-001249-00-00 EC NO: S2006-1047 DRWN:LO/IAO 2006/04/24 CHKD:MLONG 2006/04/26 APPR:PTL/IM 2006/04/26</p>	<p>QUALITY SYMBOLS ▽=0 ▽=0</p>	<p>GENERAL TOLERANCES (UNLESS SPECIFIED)</p>		<p>DIMENSION STYLE MM ONLY</p>		<p>SCALE NTS</p>	<p>DESIGN UNITS METRIC</p>	<p>THIRD ANGLE PROJECTION</p>		
		<p>4 PLACES ± --- ± ---</p>	<p>3 PLACES ± --- ± ---</p>	<p>DRAWN BY ATSEE</p>	<p>DATE 2003/10/23</p>	<p>TITLE MGRID, SHROUDED HEADER W/SLOT AND STANDOFF, R/A</p>				
		<p>2 PLACES ± 0.2 ± ---</p>	<p>1 PLACE ± --- ± ---</p>	<p>CHECKED BY KCLING</p>	<p>DATE 2003/11/07</p>	<p>MOLEX INCORPORATED</p>				
		<p>ANGULAR ± 3 °</p>		<p>APPROVED BY SKTOH</p>	<p>DATE 2003/11/07</p>	<p>MATERIAL NO. SEE TABLE</p>	<p>DOCUMENT NO. SD-87833-010</p>	<p>SHEET NO. 2 OF 2</p>		
<p>A7</p>	<p>REV</p>	<p>DRAFT WHERE APPLICABLE MUST REMAIN WITHIN DIMENSIONS</p>		<p>SIZE A3</p>	<p>THIS DRAWING CONTAINS INFORMATION THAT IS PROPRIETARY TO MOLEX INCORPORATED AND SHOULD NOT BE USED WITHOUT WRITTEN PERMISSION</p>					

9 8 7 6 5 4 3 2 1