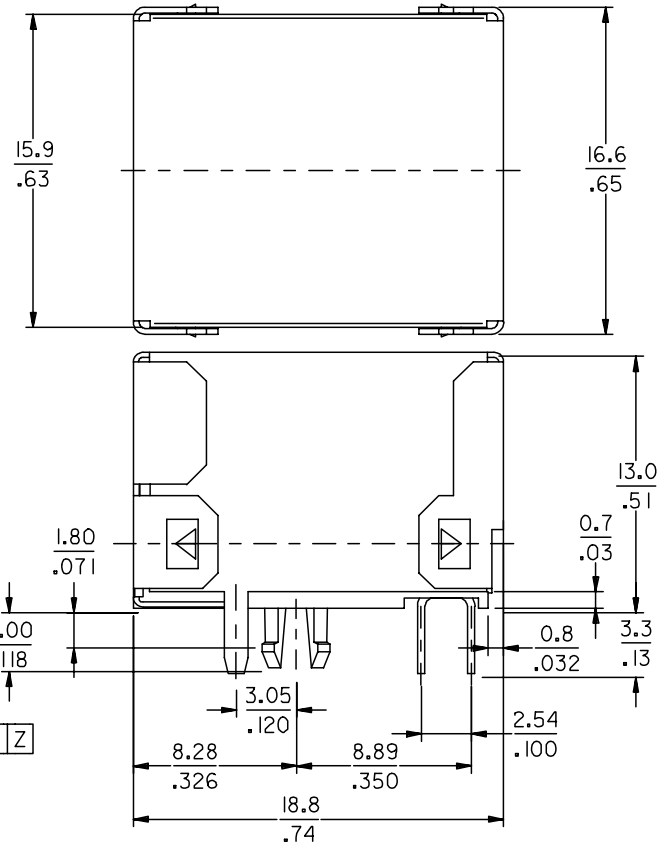
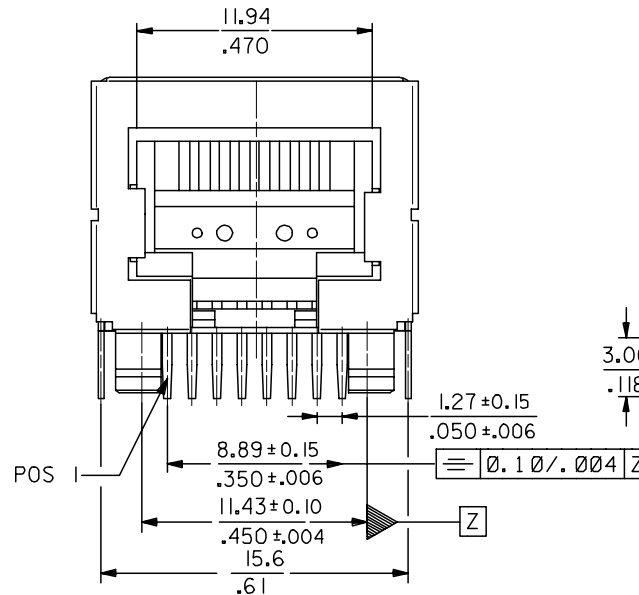
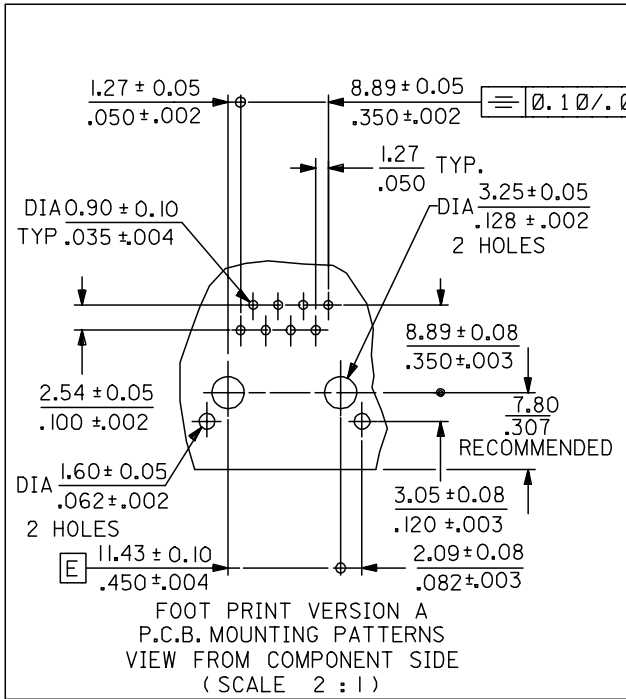


TECHNICAL SPECIFICATIONS:

I- MATERIAL :

HOUSING: POLYESTER GLASS FILLED UL 94VO COLOR BLACK
 TERMINAL : PHOSPHOR BRONZE PLATED WITH :
 0.00127/.000050 MIN. GOLD IN CONTACT AREA,
 0.00190/.000075 MIN. PURE TIN IN TAIL AREA,
 BOTH OVER 0.00127/.000050 MIN. NICKEL OVERALL
 SHIELD : BRASS PLATED WITH 0.0020/.000078 MIN. TIN

ENG. N°	FOOTPRINT VERSION	HOUSING SIZE	LOADED CKTS	PANEL GROUND	TOOLED	PACKAGING SPEC. NOTE 4
85505-0013	A	8	8	NO	YES	SHEET 1



NOTES:

- JACK FOR MATING WITH SHIELDED PLUG MOLEX 95043 AND 85568 SERIES.
- PRODUCT SPECIFICATION: MOLEX PS-85505-001.
- APPLICATION SPECIFICATION: MOLEX AS-95001.
- PACKAGING SPECIFICATION: MOLEX PK-95122 SEE CHART.
- P.C. BOARD THICKNESS : 1.57/.062
- EXCEEDS CATEGORY 5E PERFORMANCE.

MODIFIED DIMS EC NO: E2006-1015 DRWN: OBYRNES 2006/05/03 CHKD: 2006/05/03 APPR: EOMAHONY 2006/05/16	QUALITY SYMBOLS	GENERAL TOLERANCES (UNLESS SPECIFIED)	DIMENSION STYLE	SCALE	DESIGN UNITS	THIRD ANGLE PROJECTION
	▽=0 ▽=0	mm INCH 4 PLACES ± --- ± --- 3 PLACES ± --- ± .010 2 PLACES ± 0.25 ± .014 1 PLACE ± 0.35 ± --- ANGULAR ± 2 °	MM/IN	4:1	METRIC	
	DESCRIPTION	DRAWN BY	DATE	TITLE	HIGH SPEED MODULAR JACK R/A FULLY SHIELDED THROUGH HOLE - VERSION A	
		KUBATIN	03/07/31	MOLEX INCORPORATED		
REV		APPROVED BY	DATE	DOCUMENT NO.	SHEET NO.	
A		HEIM	03/07/31	SD-85505-006	1 OF 1	
		MATERIAL NO.	THIS DRAWING CONTAINS INFORMATION THAT IS PROPRIETARY TO MOLEX INCORPORATED AND SHOULD NOT BE USED WITHOUT WRITTEN PERMISSION			
		SIZE	85505-0013			