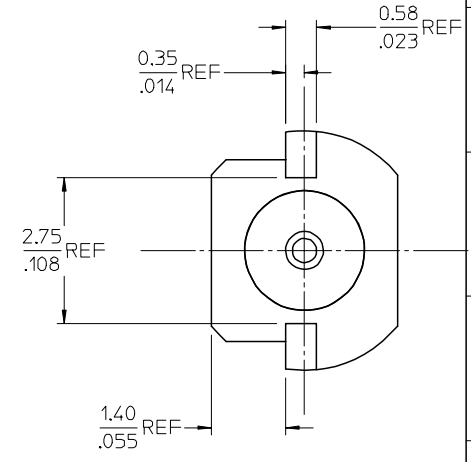
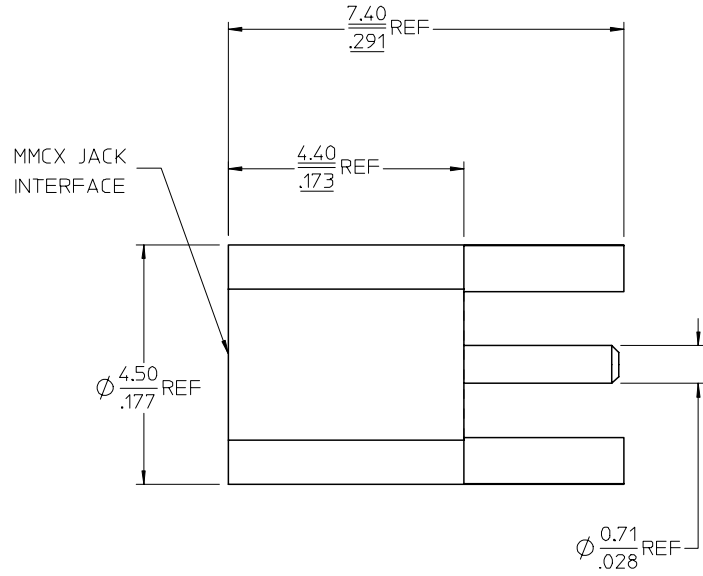
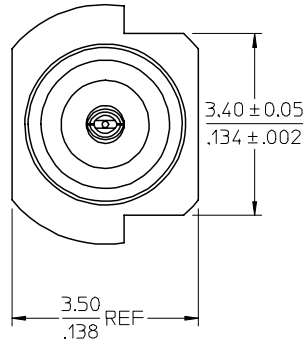


MATERIALS AND FINISHES:

BODY BRASS
PLATED GOLD

CONTACT BERYLLIUM COPPER
PLATED GOLD

INSULATOR TEFLON

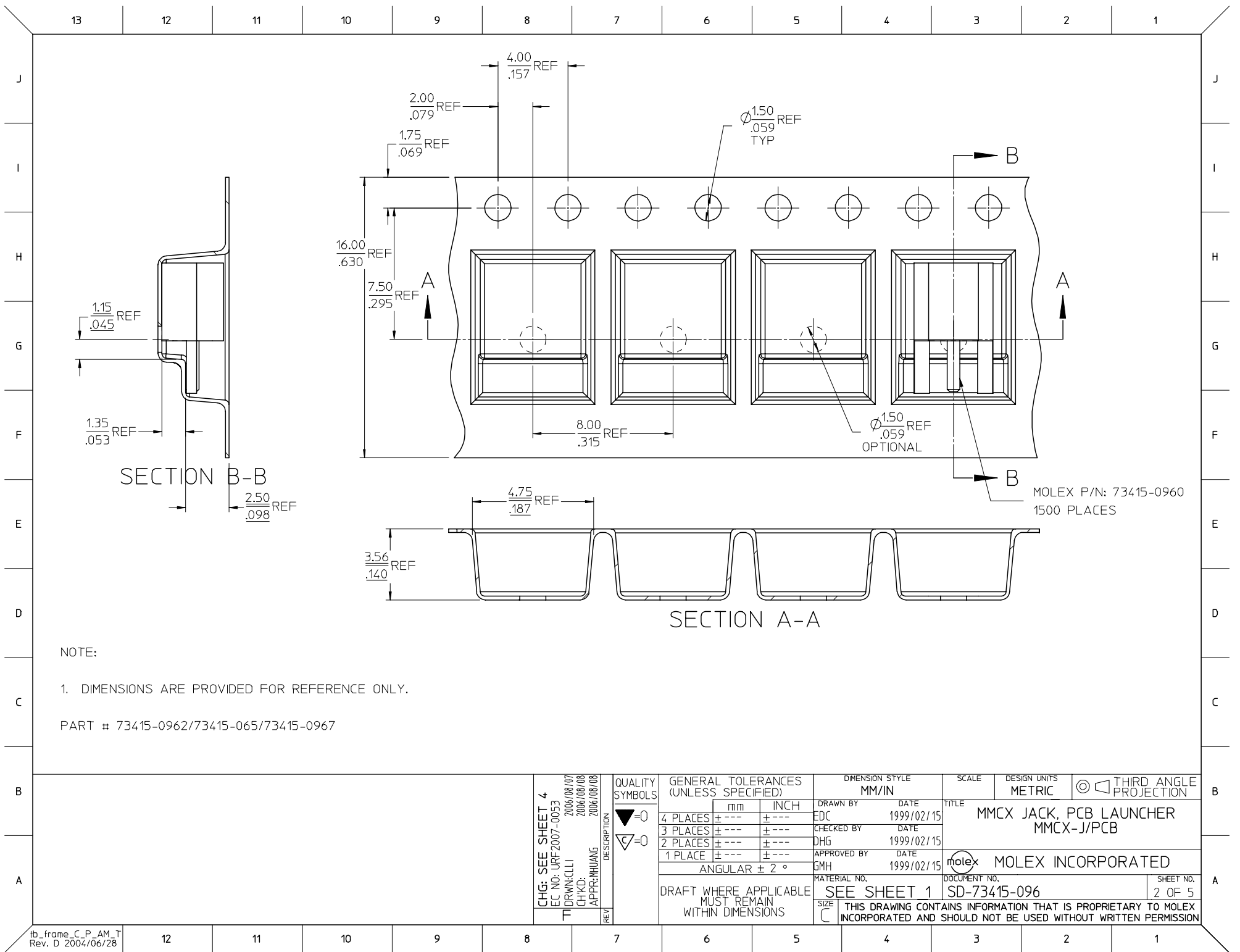


FOR PCB LAYOUT SEE SHEET 5

REEL SIZE FOR TAPE AND REEL: 1500 PIECES

73415-0968	PER COMMERCIAL REQUIREMENTS	SEE SHEET 4
73415-0967	PER COMMERCIAL REQUIREMENTS	LEADS ORIENTED OPPOSITE FEED HOLES WITHOUT LABEL
73415-0966	PER MILITARY REQUIREMENTS	LEADS ORIENTED TOWARDS FEED HOLES WITHOUT LABEL
73415-0965	PER COMMERCIAL REQUIREMENTS	LEADS ORIENTED OPPOSITE FEED HOLES
73415-0964	PER MILITARY REQUIREMENTS	LEADS ORIENTED TOWARDS FEED HOLES
73415-0963	PER COMMERCIAL REQUIREMENTS	LEADS ORIENTED TOWARDS FEED HOLES
73415-0962	PER MILITARY REQUIREMENTS	LEADS ORIENTED OPPOSITE FEED HOLES
73415-0961	PER COMMERCIAL REQUIREMENTS	INDIVIDUAL BAGS
73415-0960	PER MILITARY REQUIREMENTS	INDIVIDUAL BAGS
ES-73599-0000-0160	INTERFACE	
PS-89675-1910	ELECTRO/MECH PERFORMANCE	
SPECIFICATION	DESCRIPTION	PART NUMBER

CHG: SEE SHEET 4 FC NO: URF2007-0053 DRAWN/CLL: 2006/08/07 CHKD: 2006/08/08 APPR: MJIANG 2006/08/08	QUALITY SYMBOLS ▽=0 ▽=0	GENERAL TOLERANCES (UNLESS SPECIFIED)		DIMENSION STYLE MM/IN		SCALE	DESIGN UNITS METRIC	THIRD ANGLE PROJECTION
		4 PLACES ± --- ± --- 3 PLACES ± --- ± --- 2 PLACES ± --- ± --- 1 PLACE ± --- ± --- ANGULAR ± 2 °	DRAWN BY DATE EDC 1999/02/15 CHECKED BY DATE DHG 1999/02/15 APPROVED BY DATE GMH 1999/02/15	TITLE MMCX JACK, PCB LAUNCHER MMCX-J/PCB		MATERIAL NO. SEE TABLE		DOCUMENT NO. SD-73415-096
DRAFT WHERE APPLICABLE MUST REMAIN WITHIN DIMENSIONS		SIZE C		THIS DRAWING CONTAINS INFORMATION THAT IS PROPRIETARY TO MOLEX INCORPORATED AND SHOULD NOT BE USED WITHOUT WRITTEN PERMISSION				



MOLEX P/N: 73415-0960
1500 PLACES

NOTE:

1. DIMENSIONS ARE PROVIDED FOR REFERENCE ONLY.

PART # 73415-0962/73415-065/73415-0967

CHG: SEE SHEET 4
FC NO: URF2007-0053
DRAWN: CLLI 2006/08/07
CHKD: 2006/08/08
APPR: MJIANG 2006/08/08
REV: DESCRIPTION

QUALITY SYMBOLS
 $\nabla=0$
 $\nabla=0$

GENERAL TOLERANCES (UNLESS SPECIFIED)	
mm	INCH
4 PLACES ± .005	± .0002
3 PLACES ± .005	± .0002
2 PLACES ± .005	± .0002
1 PLACE ± .005	± .0002
ANGULAR ± 2°	

DRAFT WHERE APPLICABLE MUST REMAIN WITHIN DIMENSIONS

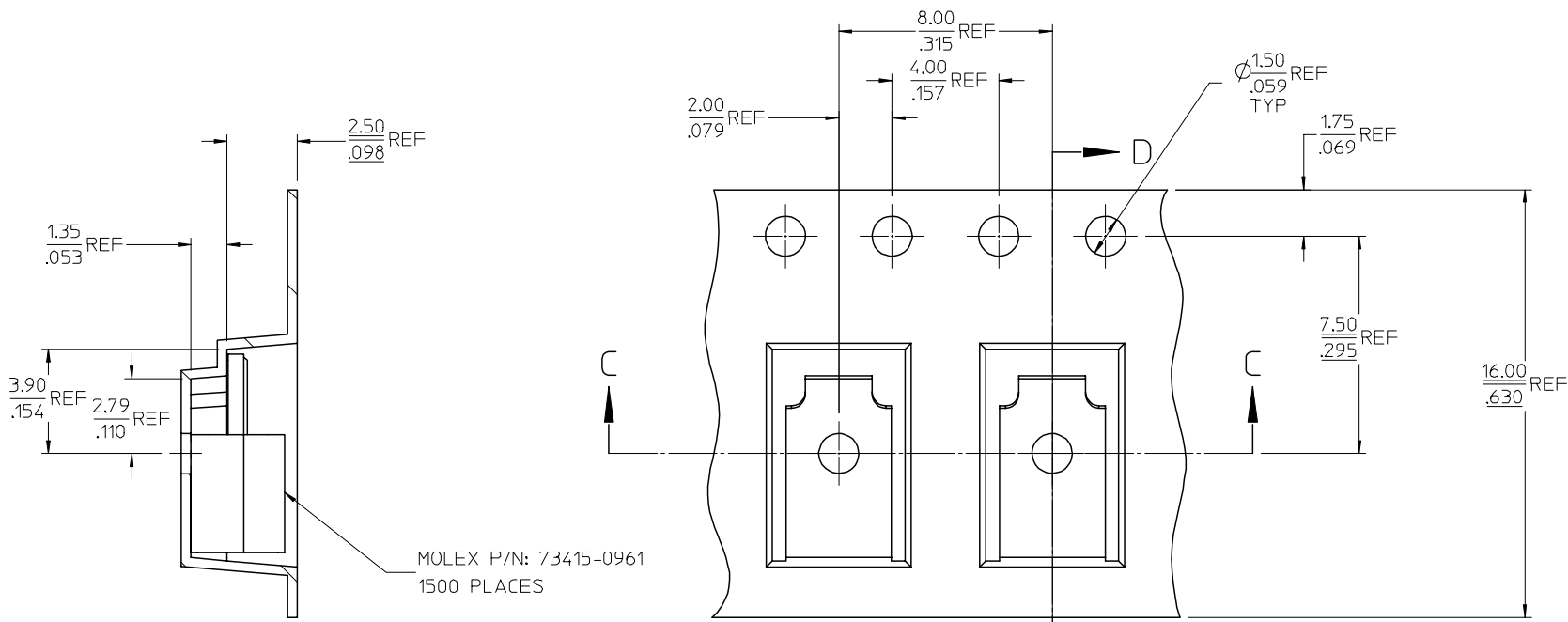
DIMENSION STYLE	
MM/IN	DATE
DRAWN BY	EDC 1999/02/15
CHECKED BY	DHG 1999/02/15
APPROVED BY	GMH 1999/02/15

SCALE	DESIGN UNITS	THIRD ANGLE PROJECTION
	METRIC	
TITLE MMCX JACK, PCB LAUNCHER MMCX-J/PCB		
MATERIAL NO. SD-73415-096		
DOCUMENT NO. SD-73415-096		SHEET NO. 2 OF 5
MATERIAL NO. SD-73415-096		

THIS DRAWING CONTAINS INFORMATION THAT IS PROPRIETARY TO MOLEX INCORPORATED AND SHOULD NOT BE USED WITHOUT WRITTEN PERMISSION

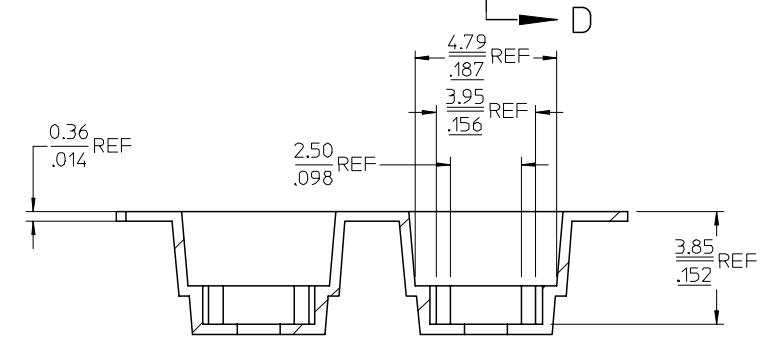
13 12 11 10 9 8 7 6 5 4 3 2 1

J
I
H
G
F
E
D
C
B
A



SECTION D-D

MOLEX P/N: 73415-0961
1500 PLACES



SECTION C-C

NOTES:

- 1. DIMENSIONS ARE PROVIDED FOR REFERENCE ONLY.
- PART # 73415-0963/73415-0964/73415-0966

CHG: SEE SHEET 4 EC NO: URF2007-0053 DRAWN/CLL: 2006/08/07 CHKD: 2006/08/08 APPR: MJIANG REVISION DESCRIPTION	QUALITY SYMBOLS
	$\nabla=0$ $\sphericalangle=0$
	GENERAL TOLERANCES (UNLESS SPECIFIED)
	4 PLACES ± --- ± --- 3 PLACES ± --- ± --- 2 PLACES ± --- ± --- 1 PLACE ± --- ± --- ANGULAR ± 2 °

DIMENSION STYLE MM/IN	DRAWN BY EDC	DATE 1999/02/15
CHECKED BY DHG	DATE 1999/02/15	APPROVED BY GMH
DATE 1999/02/15	MATERIAL NO.	DOCUMENT NO.
SEE SHEET 1	SD-73415-096	SHEET NO. 3 OF 5

SCALE DESIGN UNITS METRIC	THIRD ANGLE PROJECTION
MOLEX INCORPORATED	THIS DRAWING CONTAINS INFORMATION THAT IS PROPRIETARY TO MOLEX INCORPORATED AND SHOULD NOT BE USED WITHOUT WRITTEN PERMISSION

TITLE MMCX JACK, PCB LAUNCHER MMCX-J/PCB
MOLEX INCORPORATED
SHEET NO. 3 OF 5

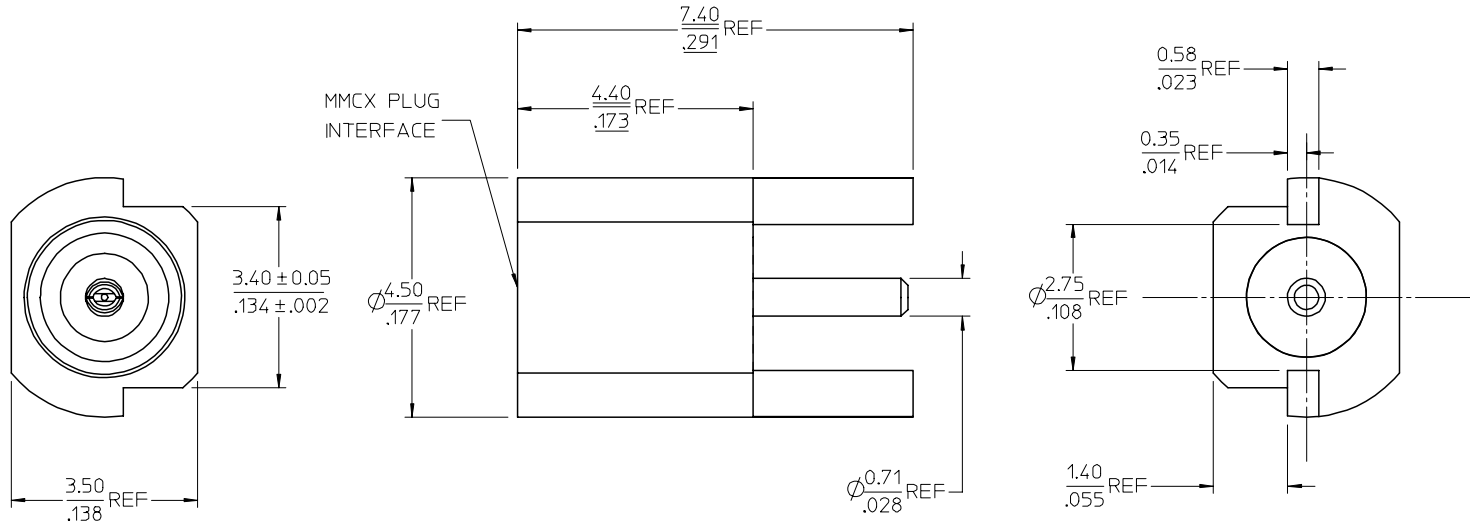
12 11 10 9 8 7 6 5 4 3 2 1

MATERIALS AND FINISHES:

BODY BRASS
PLATED GOLD

CONTACT BERYLLIUM COPPER
PLATED GOLD

INSULATOR TEFLON



PACKAGING:

1. PASTE COLOR LABEL OFFERED BY CUSTOMER ON EVERY POLYBAG SHOWING QTY, CUSTOMER P/N:- K00G0027

2. PASTE COLOR LABEL ON MASTER CARTON SHOWING P/N & QTY.

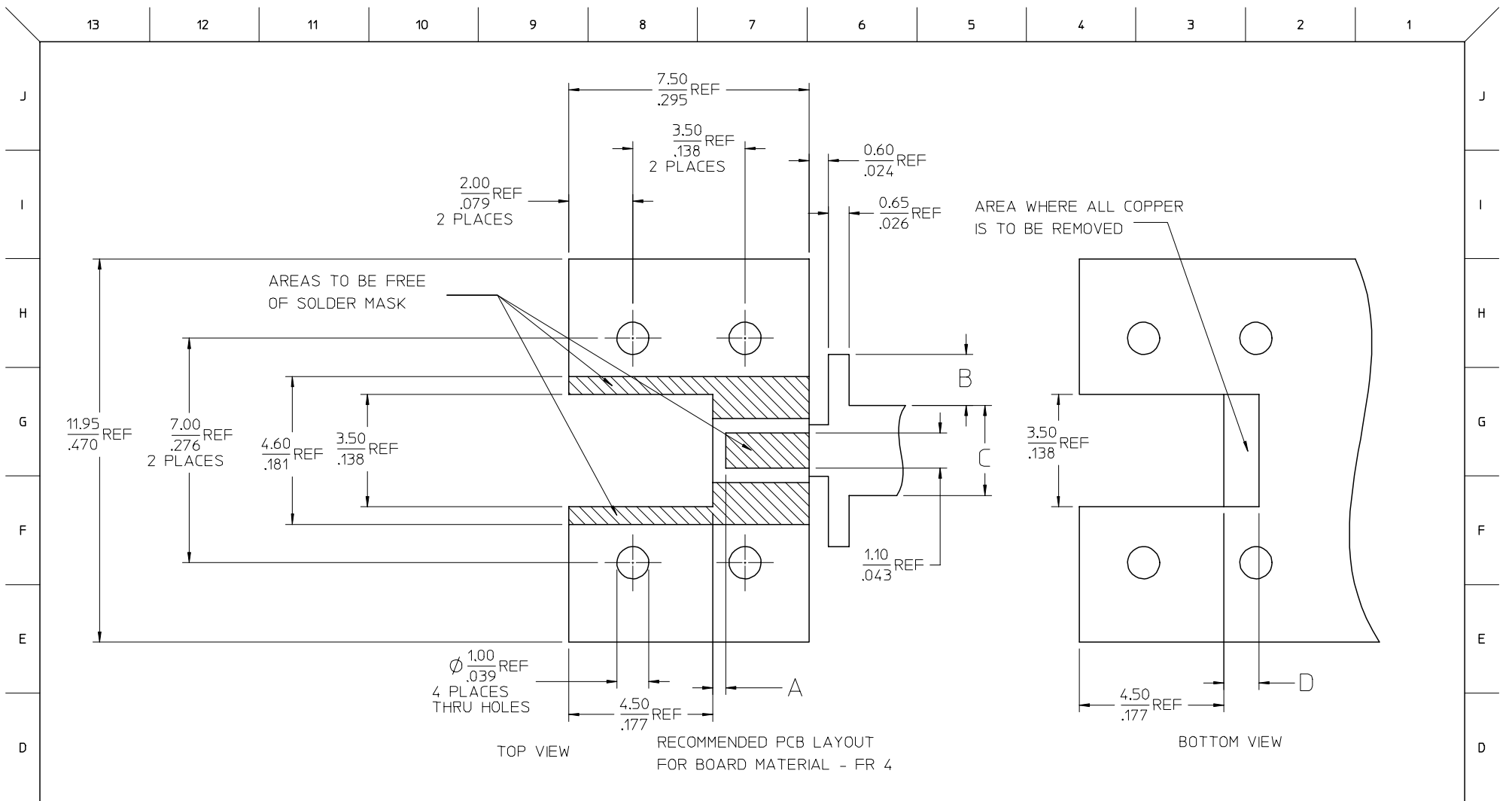
FOR PCB LAYOUT SEE SHEET 5

ES-73599-0000-0160	INTERFACE
PS-89675-1910	ELECT/MECH PERFORM.
SPECIFICATION	DESCRIPTION

CHG PACKAGING CUSTOMER P/N

MAS: K00G0027
 T: 2006/08/07
 CHFKD: 2006/08/08
 APPR: MJIANG
 2006/08/08
 REVISION DESCRIPTION

73415-0968	PER MILITARY REQUIREMENTS	SEE NOTE
PART NO.	DESCRIPTION	PACKAGING
QUALITY SYMBOLS	GENERAL TOLERANCES (UNLESS SPECIFIED)	DIMENSION STYLE
▽=0 ▽=0	mm INCH 4 PLACES ± --- ± --- 3 PLACES ± --- ± --- 2 PLACES ± --- ± --- 1 PLACE ± --- ± --- ANGULAR ± 2 °	MM/IN
		SCALE
		DESIGN UNITS
		THIRD ANGLE PROJECTION
		TITLE
		MMCX JACK, PCB LAUNCHER MMCX-J/PCB
		APPROVED BY
		DATE
		MATERIAL NO.
		DOCUMENT NO.
		SHEET NO.
		4 OF 5
		THIS DRAWING CONTAINS INFORMATION THAT IS PROPRIETARY TO MOLEX INCORPORATED AND SHOULD NOT BE USED WITHOUT WRITTEN PERMISSION



0.80 MM / .031 INCHES	.039 REF	1.00 REF	-----	-----	.055 REF	1.40 REF	.043 REF	1.10 REF
1.00 MM / .039 INCHES	.035 REF	0.90 REF	.012 REF	0.30 REF	.071 REF	1.80 REF	.047 REF	1.20 REF
1.60 MM / .063 INCHES	.016 REF	0.40 REF	.063 REF	1.60 REF	.110 REF	2.80 REF	.091 REF	2.30 REF
PCB THICKNESSES	IN	MM	IN	MM	IN	MM	IN	MM

	A		B		C		D	
--	---	--	---	--	---	--	---	--

CHG: SEE SHEET 4 FC NO: URF2007-0053 DRAWN: CLLI CHKD: 2006/08/08 APPR: MJIANG REV:	QUALITY SYMBOLS ▽=0 ▽=0	GENERAL TOLERANCES (UNLESS SPECIFIED)		DIMENSION STYLE MM/IN		SCALE	DESIGN UNITS METRIC	THIRD ANGLE PROJECTION	
		4 PLACES ± --- ± --- 3 PLACES ± --- ± --- 2 PLACES ± --- ± --- 1 PLACE ± --- ± ---	mm INCH ± --- ± --- ± --- ± --- ± --- ± ---	DRAWN BY EDC	DATE 1999/02/15	TITLE MMCX JACK, PCB LAUNCHER MMCX-J/PCB	MATERIAL NO. GMH	DATE 1999/02/15	MOLEX INCORPORATED
		DRAFT WHERE APPLICABLE MUST REMAIN WITHIN DIMENSIONS		SEE SHT 1 & 4		DOCUMENT NO. SD-73415-096		SHEET NO. 5 OF 5	
		THIS DRAWING CONTAINS INFORMATION THAT IS PROPRIETARY TO MOLEX INCORPORATED AND SHOULD NOT BE USED WITHOUT WRITTEN PERMISSION							