

MATERIALS AND FINISHES

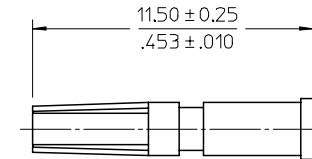
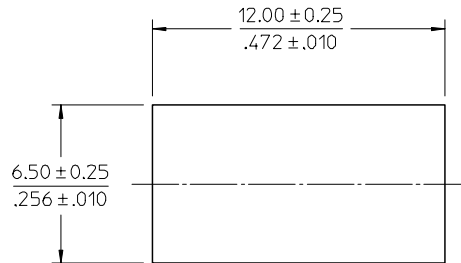
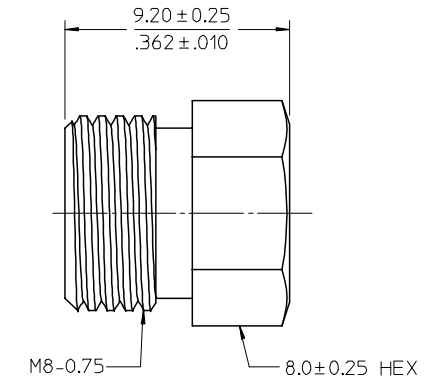
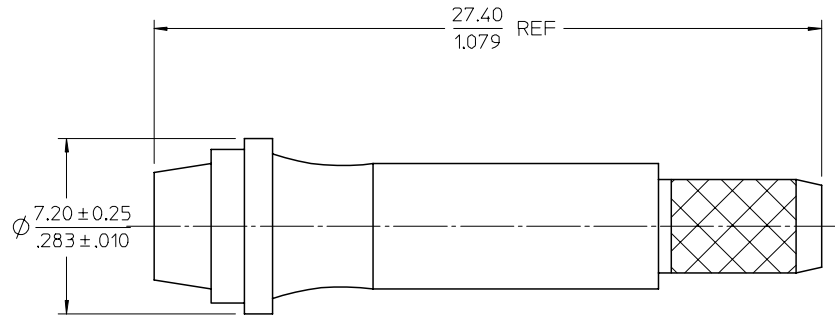
BODY BRASS  
PLATED NICKEL 50 MICROINCHES MIN

CENTER CONTACT BRASS  
PLATED GOLD 2 MICROINCHES MIN

INSULATOR PP

NUT BRASS  
PLATED NICKEL 50 MICROINCHES MIN

TUBE BRASS  
PLATED NICKEL 50 MICROINCHES MIN



PACKAGING:

50 INDIVIDUAL UNMARKED PLASTIC BAGS EACH CONTAINING ONE CRIMP TUBE, NUT,  
CENTER CONTACT, AND FME ASSEMBLY  
50 INDIVIDUAL PLASTIC BAGS SHALL BE PLACED IN ONE LARGER PLASTIC BAG.

<b>REDRAWN CONTACT</b> EC NO: URF2006-0481 DRAWN BY: DRW:NICELLI DATE: 2006/05/08 CHKD: APPR:MHUANG DATE: 2006/05/09	QUALITY SYMBOLS ▽=0 ▽=0	GENERAL TOLERANCES (UNLESS SPECIFIED) mm INCH 4 PLACES ± --- ± --- 3 PLACES ± --- ± --- 2 PLACES ± --- ± --- 1 PLACE ± --- ± --- ANGULAR ± 2 °	DIMENSION STYLE MM/IN DRAWN BY: CLLI DATE: 2004/06/18 CHECKED BY: KERRIE DATE: 2004/06/18 APPROVED BY: MISEN DATE: 2004/06/18	SCALE: 4:1 DESIGN UNITS: METRIC THIRD ANGLE PROJECTION
	DRAFT WHERE APPLICABLE MUST REMAIN WITHIN DIMENSIONS		MATERIAL NO.: 73412-0390 SIZE: A2	TITLE: FME 50 OHM JACK CRIMP FOR RG58 FME-J MOLEX INCORPORATED DOCUMENT NO.: SD-73412-039 SHEET NO.: 1 OF 1
	THIS DRAWING CONTAINS INFORMATION THAT IS PROPRIETARY TO MOLEX INCORPORATED AND SHOULD NOT BE USED WITHOUT WRITTEN PERMISSION			