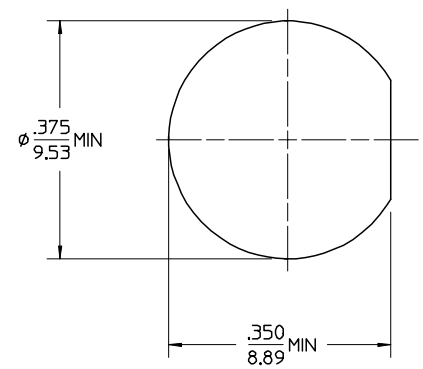
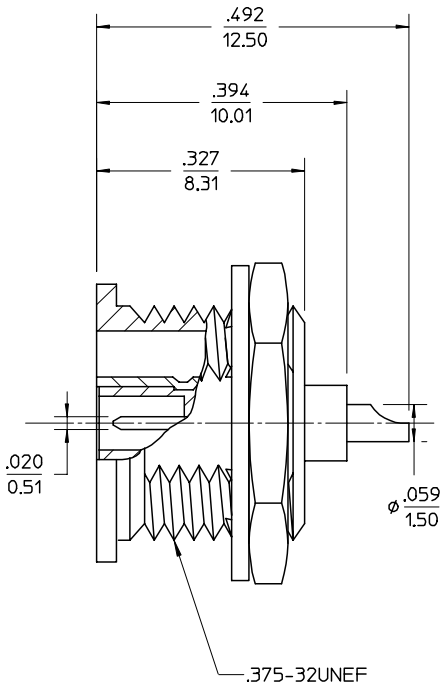
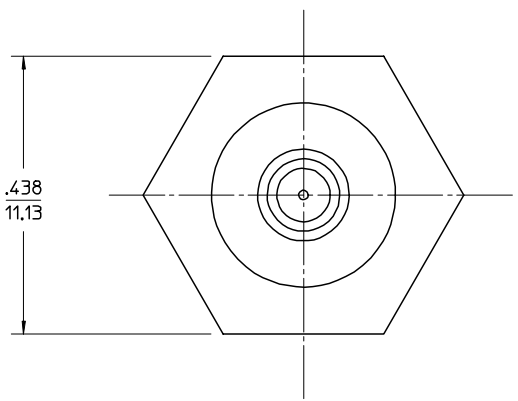


MATERIALS AND FINISHES:

- BODY: SEE TABLE
- NUT: BRASS, PLATED NICKEL
- WASHER: PHOSPHOR BRONZE, PLATED NICKEL
- CENTER CONTACT: BRASS, PLATED GOLD
- INSULATOR: TEFLON



RECOMMENDED MOUNTING HOLE

MIL-STD-348, FIGURE 311-1	INTERFACE
PS-73598-0099	ELECTRO/MECH PERFORMANCE
SPECIFICATION	DESCRIPTION

73404-0001	BRASS/NICKEL
73404-0000	STEEL/PASSIVATED
PART NUMBER	BODY MATERIAL/PLATING

CHG: NEW RELEASE ADDED EWR-1970 AND 50 OHM TO TITLE EC NO. URF-1712 DRWN: TEF 04/15/03 CHK: SSS 04/15/03 APPR: GMH 04/15/03 CHANGE: ADD P/N -0001 CONTACT MATERIAL WAS BECU REMOVE CONTACT PLATING THICKNESS ADD PS-73598-0099 NUT AND LW WERE STEEL/PASSIVATED DRWN: JDW 03/23/03 CHK: SSS 03/23/03 APPR: GMH 03/23/03 EC NO. RF-XXXX DRWN: XXX XX/XX/XX CHK: XXX XX/XX/XX APPR: XXX XX/XX/XX	UNLESS OTHERWISE SPECIFIED DIMS ARE INCHES AND ANGLES ARE DEGREES. 1. √ 63 ALL OVER. 2. NO CHATTER OR NON-UNIFORM SURFACE FINISH ALLOWED. 3. PARTS TO BE FREE OF BURRS & SHARP EDGES .005 MAX BREAK, 4. EXTERNAL THREADS TO BE ROLLED OR SINGLE POINT. 5. DIAMETERS TO BE CONCENTRIC WITHIN .003 TIR.	3	2
		A	REV

QUALITY SYMBOLS	GENERAL TOLERANCES: (UNLESS SPECIFIED)															
MAJOR 	<table border="1"> <tr> <th>PLACES</th> <th>mm</th> <th>INCH</th> </tr> <tr> <td>4 PLACES</td> <td>± .0005</td> <td>± .0005</td> </tr> <tr> <td>3 PLACES</td> <td>± .005</td> <td>± .005</td> </tr> <tr> <td>2 PLACES</td> <td>± .01</td> <td>± .01</td> </tr> <tr> <td>1 PLACE</td> <td>± .1</td> <td>± .1</td> </tr> </table>	PLACES	mm	INCH	4 PLACES	± .0005	± .0005	3 PLACES	± .005	± .005	2 PLACES	± .01	± .01	1 PLACE	± .1	± .1
PLACES	mm	INCH														
4 PLACES	± .0005	± .0005														
3 PLACES	± .005	± .005														
2 PLACES	± .01	± .01														
1 PLACE	± .1	± .1														
CRITICAL 	ANGULAR: ± 1/2° DRAFT WHERE APPLICABLE MUST REMAIN WITHIN DIMENSIONS															

SCALE	DESIGN UNITS	THIRD ANGLE PROJECTION	DIMENSIONS:
---	<input type="checkbox"/> mm <input checked="" type="checkbox"/> INCH	<input type="checkbox"/> mm <input checked="" type="checkbox"/> INCH	<input type="checkbox"/> mm <input checked="" type="checkbox"/> INCH <input type="checkbox"/> mm ONLY
DRAWN BY & DATE NBJ 07/16/97		TITLE: SMB, JACK, RECEPTACLE, RECESSED BULKHEAD MOUNT, SOLDER POT, 50 OHM, EWR-1971 SMB-SDJR/BK	
CHECKED BY & DATE DHG 01/09/98		APPROVED BY & DATE GMH 01/09/98	
CAD FILENAME		MATERIAL NO. SEE NOTE	DRAWING NO. SD-73404-000
THIS DRAWING CONTAINS INFORMATION THAT IS PROPRIETARY TO MOLEX INCORPORATED AND SHOULD NOT BE USED WITHOUT WRITTEN PERMISSION.			SHEET NO. 1 of 1

1	A
SHT	REV
REVISE ON CAD ONLY	