

13

12

11

10

9

8

7

6

5

4

3

2

1

J

I

H

G

F

E

D

C

B

A

J

I

H

G

F

E

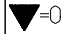
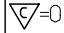
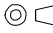
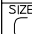
D

C

B

A

DETAIL DRAWING REFER TO 73100-0207

CHG: ADD SMALL TRAY FOR 73100-0207 FC NO: URF2007-0306 DRWN: SCHOU CHKD: 2007/02/09 APPR: MJIANG 2007/02/08 2007/02/09 2007/02/09	QUALITY SYMBOLS  = 0  = 0	GENERAL TOLERANCES (UNLESS SPECIFIED)		DIMENSION STYLE MM/IN		SCALE	DESIGN UNITS METRIC	 THIRD ANGLE PROJECTION	
		4 PLACES ± --- ± ---	mm INCH	DRAWN BY JOYCE	DATE 2007/02/05	TITLE SMB JACK, STRAIGHT RECEPTACLE, PCB 50 OHMS, SMB-J/PCB			
		3 PLACES ± --- ± ---		CHECKED BY KERRIE	DATE 2007/02/05	APPROVED BY MISEN			
		2 PLACES ± --- ± ---		1 PLACE ± --- ± ---		MATERIAL NO. 733960590		DOCUMENT NO. SD-73396-059	SHEET NO. 1 OF 1
ANGULAR ± 2 °		DRAFT WHERE APPLICABLE MUST REMAIN WITHIN DIMENSIONS		SIZE 		THIS DRAWING CONTAINS INFORMATION THAT IS PROPRIETARY TO MOLEX INCORPORATED AND SHOULD NOT BE USED WITHOUT WRITTEN PERMISSION			

12

11

10

9

8

7

6

5

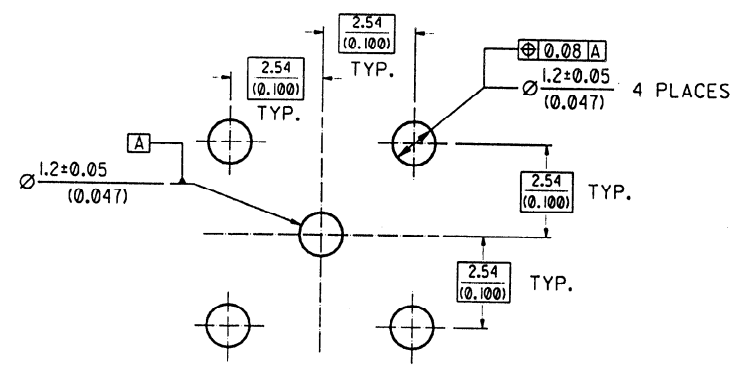
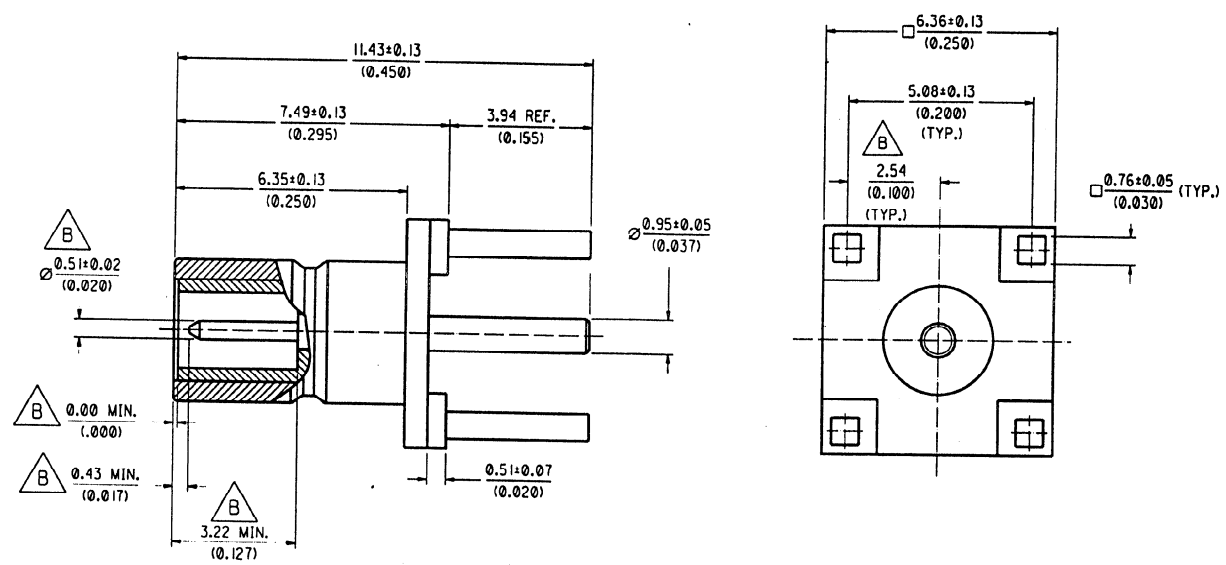
4

3

2

1

E.M.C. NO. SDA-731000272
 EDP NO.
 SAME 4R ITEM
 CAD FILE NO. S1000272.DGN
 DO NOT SCALE DRAWING



RECOMMENDED PCB MOUNTING HOLE

CONSTRUCTION :
 BODY -----BRASS
 DIELECTRIC -----TEFLON
 CONTACT -----BRASS

FINISH:
 BODY -----GOLD PLATING
 CONTACT -----GOLD PLATING

MECHANICAL AND ELECTRICAL CHARACTERISTICS:
 PER PRODUCT SPECIFICATION: PS-73598-0099
 (INSERTION LOSS IS NOT APPLICABLE)

MATERIAL AND FINISHES:
 PER PRODUCT SPECIFICATION: PS-73598-0099

PACKAGING :
 TRAY

MATERIAL :		SEE NOTE		MOLEX TAIWAN LTD. (R.F. DIVISION)
FINISH :		SEE NOTE		
SCALE : 6:1		UNIT : mm(INCH)		GENERAL TOLERANCES ANGLE : + 3° DIM. : ± 0.25 (± 0.01)
DRAWN BY : IRIS WANG		95/11/03		DRW. NO. : SDA-73100-0207
LTR. RELEASE TO MANUFACTURING ETC. 9522 IRIS 95/12/16		CHK'D BY : <i>[Signature]</i>		REV B
LTR. RELEASE TO TOOLING 9520 IRIS 95/11/16		DATE : 95/11/16		TITLE : 50 OHM SMB STRAIGHT JACK PCB RECEPTACLE
LTR. REVISION RECORD		DATE		
STANDARD ITEM		<input type="checkbox"/> YES <input checked="" type="checkbox"/> NO		SHEET 1 OF 1