

MATERIALS AND FINISHES

BODY, REAR BODY, COUPLING NUT  
BRASS, GOLD PLATED

CENTER CONTACT  
BRASS, GOLD PLATED

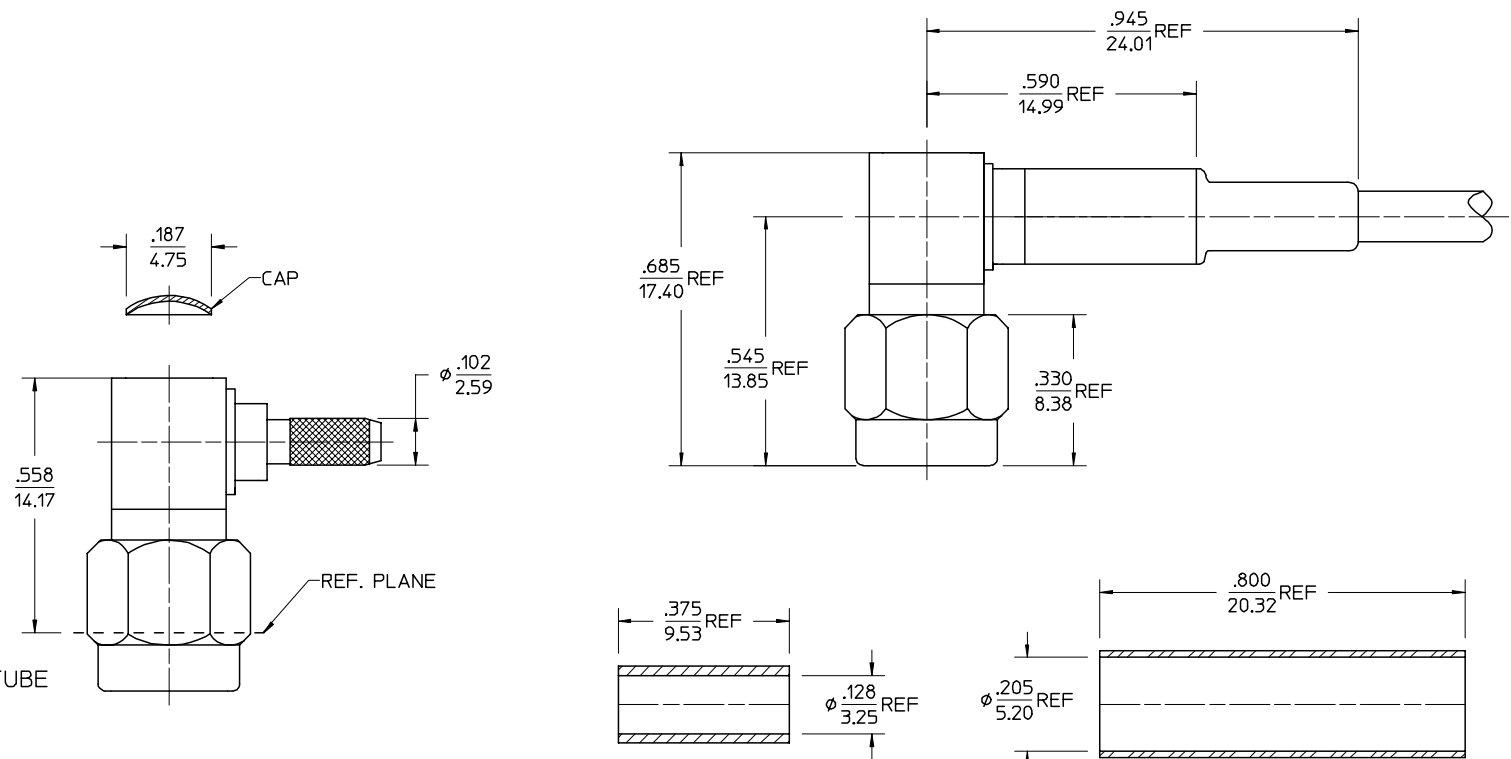
INSULATOR  
TEFLON

CAP  
STAINLESS STEEL, PASSIVATED

C'RING  
BERYLLIUM COPPER, PASSIVATED

SHRINK TUBE PER MIL-DTL-23053/5  
(CLASS I & III)

PART #  
73391-0230 WITH OUT SHRINK TUBE  
73391-0231 WITH SHRINK TUBE



ES-89675-1600	CABLE ASSEMBLY INSTRUCTION
MIL-STD-348,FIGURE 310-1	INTERFACE DIMENSIONS
PS-89675-1300	ELECTRO/MECH PERFORMANCE
SPECIFICATION	DESCRIPTION

CHG: NEW RELEASE	DESCRIPTION
EC NO. RF-0755	UNLESS OTHERWISE SPECIFIED DIMS ARE INCHES AND ANGLES ARE DEGREES.
DRWN: LYNN LIN	1. $\sqrt{63}$ ALL OVER.
CHK: JOHNSON CHANG	2. NO CHATTER OR NON-UNIFORM SURFACE FINISH ALLOWED.
APPR: MISEN HUANG	3. PARTS TO BE FREE OF BURRS & SHARP EDGES .005 MAX BREAK.
REV A	4. EXTERNAL THREADS TO BE ROLLED OR SINGLE POINT.
	5. DIAMETERS TO BE CONCENTRIC WITHIN .003 TIR.

- UNLESS OTHERWISE SPECIFIED DIMS ARE INCHES AND ANGLES ARE DEGREES.
- 1.  $\sqrt{63}$  ALL OVER.
- 2. NO CHATTER OR NON-UNIFORM SURFACE FINISH ALLOWED.
- 3. PARTS TO BE FREE OF BURRS & SHARP EDGES .005 MAX BREAK.
- 4. EXTERNAL THREADS TO BE ROLLED OR SINGLE POINT.
- 5. DIAMETERS TO BE CONCENTRIC WITHIN .003 TIR.

QUALITY SYMBOLS	GENERAL TOLERANCES: (UNLESS SPECIFIED)	SCALE	DESIGN UNITS
MAJOR	mm INCH	—	<input type="checkbox"/> mm <input checked="" type="checkbox"/> INCH
CRITICAL	4 PLACES $\pm$ .01		
	3 PLACES $\pm$ .01		
	2 PLACES $\pm$ .25		
	1 PLACE $\pm$ .25		
	ANGULAR: $\pm 2^\circ$		
	DRAFT WHERE APPLICABLE MUST REMAIN WITHIN DIMENSIONS		

DRAWN BY & DATE	THIRD ANGLE PROJECTION
LYNN LIN 2001/01/30	<input type="checkbox"/> mm <input checked="" type="checkbox"/> INCH
CHECKED BY & DATE	<input type="checkbox"/> mm ONLY
APPROVED BY & DATE	
CAD FILENAME	

DIMENSIONS:		1	A
		SHT	REV
TITLE: SMA PLUG R/A		REVISE ON CAD ONLY	
CABLE RG174,179,187,188,316			
SMA-PC/RA			
MOLEX INCORPORATED - TAIWAN (MXT)			
MATERIAL NO. SEE NOTE	DRAWING NO. SD-73391-023	SHEET NO. 1 of 1	
THIS DRAWING CONTAINS INFORMATION THAT IS PROPRIETARY TO MOLEX INCORPORATED AND SHOULD NOT BE USED WITHOUT WRITTEN PERMISSION.		SIZE B	