

MATERIALS AND FINISHES

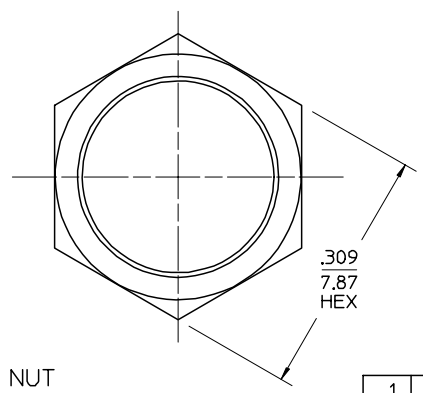
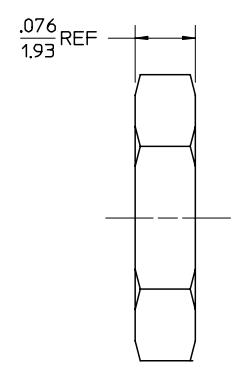
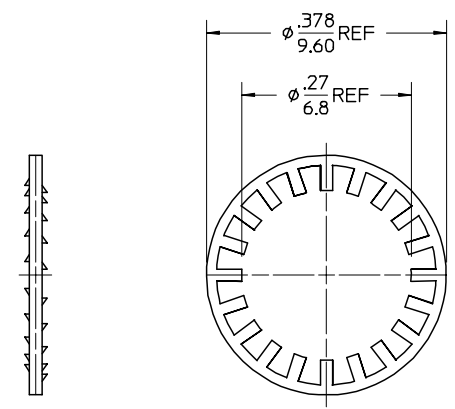
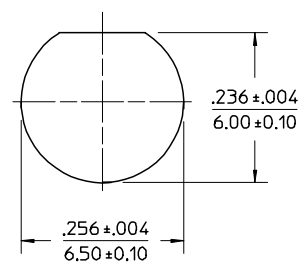
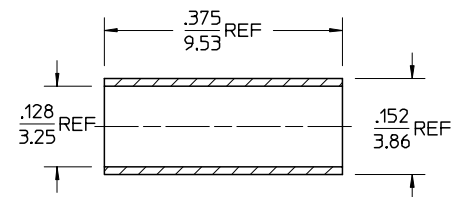
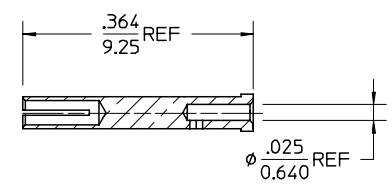
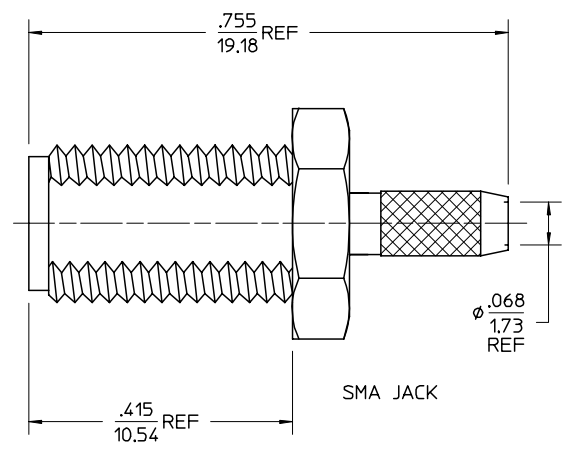
BODY: BRASS
 PLATED: GOLD

CENTER CONTACT: BeCu
 PLATED: GOLD

INSULATOR: TEFLON

JAM NUT: BRASS
 PLATED: GOLD

LOCKWASHER: PHOSPHOR BRONZE
 PLATED: GOLD



PART # 73391-0220

RECOMMENDED MOUNTING HOLE

LOCKWASHER

JAM NUT

CHG: DIM 7.87 WAS 9.5 DIM 1.93 WAS 1.6 EC NO: RF02-042 DRWN: CLAIRE 10/24/01 CHK: VIVICENT CHAO APPR: MISEN HUANG CHG: NEW RELEASE EC NO: URF-0757 DRWN: CLAIRE LEE CHK: VIVICENT CHAO APPR: MISEN HUANG	DESCRIPTION UNLESS OTHERWISE SPECIFIED DIMS ARE INCHES AND ANGLES ARE DEGREES. 1. ✓ 63 ALL OVER. 2. NO CHATTER OR NON-UNIFORM SURFACE FINISH ALLOWED. 3. PARTS TO BE FREE OF BURRS & SHARP EDGES .005 MAX BREAK. 4. EXTERNAL THREADS TO BE ROLLED OR SINGLE POINT. 5. DIAMETERS TO BE CONCENTRIC WITHIN .003 TIR.	QUALITY SYMBOLS MAJOR CRITICAL	GENERAL TOLERANCES: (UNLESS SPECIFIED) mm INCH		SCALE _____	DESIGN UNITS <input type="checkbox"/> mm <input checked="" type="checkbox"/> INCH	THIRD ANGLE PROJECTION <input type="checkbox"/> mm INCH <input checked="" type="checkbox"/> INCH mm <input type="checkbox"/> mm ONLY	DIMENSIONS: <input type="checkbox"/> mm INCH <input checked="" type="checkbox"/> INCH mm <input type="checkbox"/> mm ONLY	1 B SHT REV REVISE ON CAD ONLY
			DRAWN BY & DATE CLAIRE LEE 04/19/01	TITLE: 50 OHM SMA JACK, BULKHEAD, RG174 SMA-JC					
			CHECKED BY & DATE .	APPROVED BY & DATE .					
			CAD FILENAME _____	MATERIAL NO. SEE NOTE	DRAWING NO. SD-73391-022	SHEET NO. 1 of 1			
DRAFT WHERE APPLICABLE MUST REMAIN WITHIN DIMENSIONS					THIS DRAWING CONTAINS INFORMATION THAT IS PROPRIETARY TO MOLEX INCORPORATED AND SHOULD NOT BE USED WITHOUT WRITTEN PERMISSION.				SIZE B