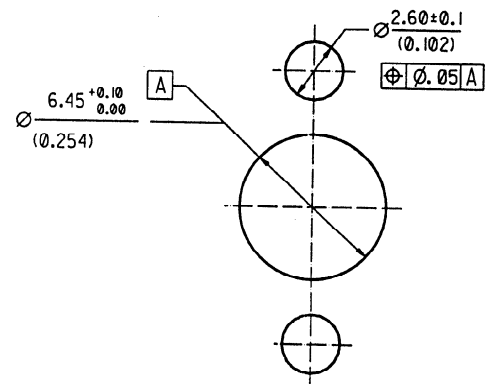
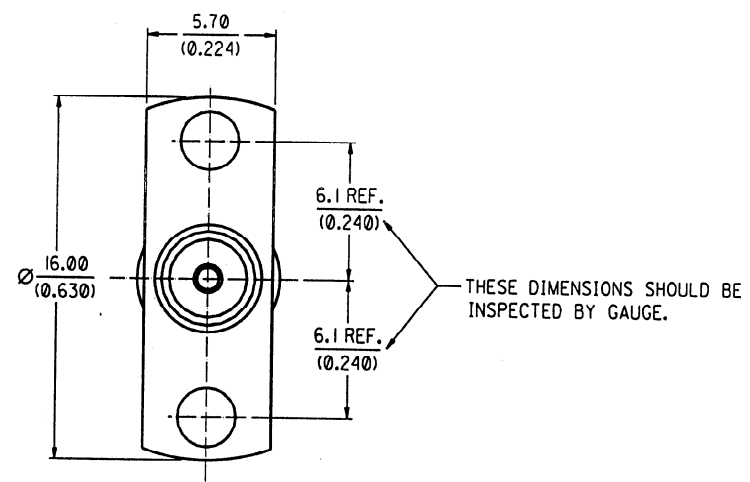
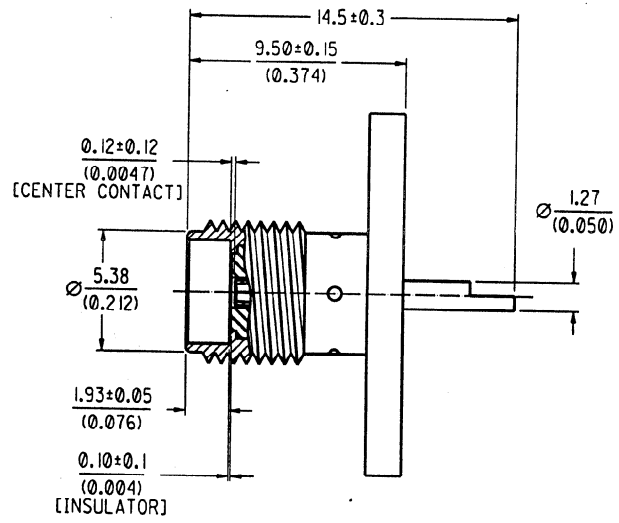


ENG. NO. SDA-73391-0050
 EDP NO.
 SERIAL ITEM
 CAD FILE NO. 5390050.DGN



RECOMMENDED PANEL HOLE
 PANEL THICKNESS: 2.5mm MAX.

CONSTRUCTION:
 BODY-----BRASS
 INSULATOR -----TEFLON
 CENTER CONTACT -----BERYLLIUM COPPER

FINISH :
 BODY -----GOLD PLATING
 CENTER CONTACT----- GOLD PLATING (10 U" MIN.)

MECHANICAL & ELECTRIC CHARACTERICS: PER PRODUCT SPECIFICATION PS-73598-0111
 TEST SUMMARY NO.: TR-97063 (DOCUMENT NO.: TS-73461-003)
 PACKAGING : TRAY

MATERIAL : SEE NOTES		MOLEX TAIWAN LTD. (R.F. DIVISION)	
FINISH : SEE NOTES		GENERAL TOLERANCES	
SCALE : 5:1	UNIT : mm(INCH)	ANGLE : ± 3° DIM. ± 0.25 (±.01)	
DRAWN BY : IRIS WANG 97/06/02		DRW. NO. : SDA-73391-0050	REV. B
B RTM 97/06/02 IRIS 97/06/02	CHK'D BY : Sam		
A1 TOOLING RELEASE 10/13 IRIS 97/06/02	APPR'D BY : Wally		
LTR REVISION RECORD ECN DR DATE	SHEET 1 OF 1	TITLE : 50 OHM SMA (J) 2 HOLE PANEL LAUNCHERS RECEPTACLE	
STANDARD ITEM <input type="checkbox"/> YES <input checked="" type="checkbox"/> NO			

DC NOT SCALE DRAWING