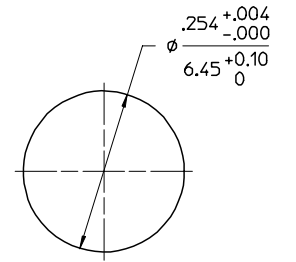
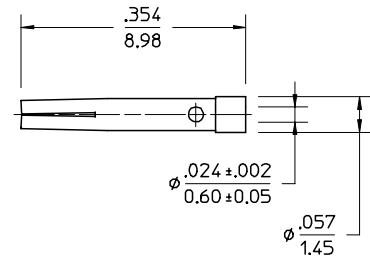
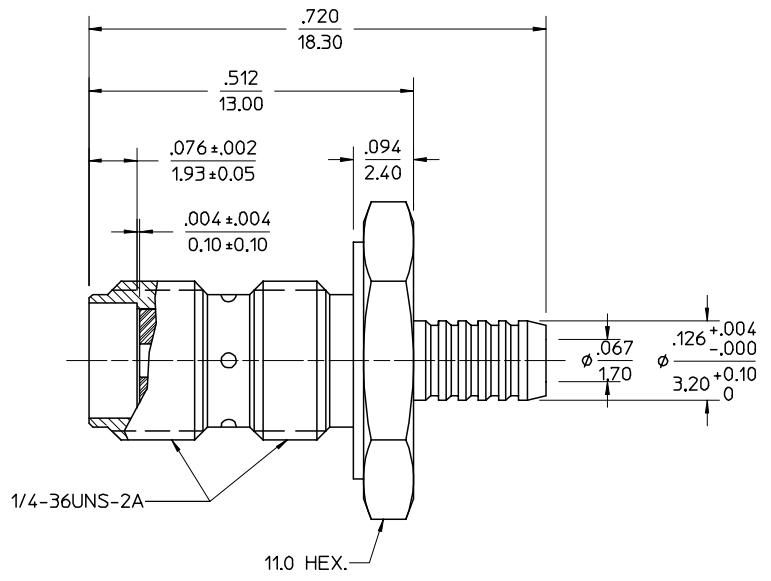
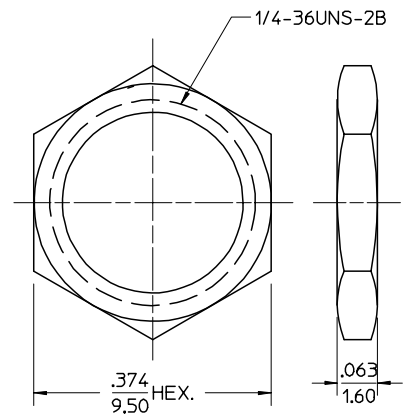
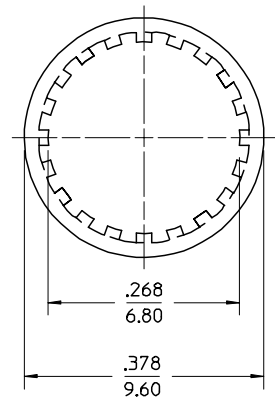
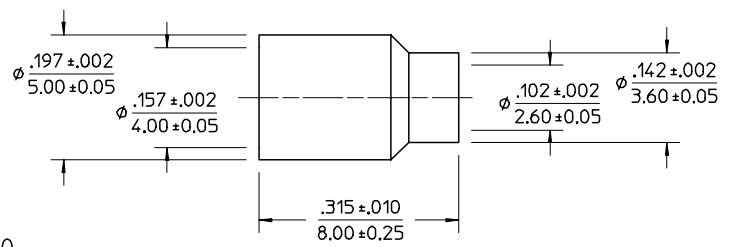


MATERIALS AND FINISHES

- BODY
BRASS, GOLD PLATED
- CENTER CONTACT
BERYLLIUM COPPER, GOLD PLATED
- INSULATOR
TEFLON
- NUT
BRASS, GOLD PLATED
- LOCK WASHER
PHOSPHOR BRONZE, GOLD PLATED
- FERRULE
BRASS, GOLD PLATED



RECOMMENDED PANEL HOLE
PANEL THICKNESS: 2.5mm MAX.



PART # 73391-0030

PS-73436-009	PRODUCT SPECIFICATION
AS-73436-008	ASSEMBLY INSTRUCTION
SPECIFICATION	DESCRIPTION

CHG	DGN	CHG FOR	REV	DESCRIPTION
EC NO.	RF03-068	DRWN: LYNN 2002/12/16		
CHK:	YA-FEI CHIANG	APPR: MISEN HUANG		
CHG:	RELEASE TO MFG.			
EC NO.	RF98-037	DRWN: LYNN 1997/11/26		
CHK:	SAM HUANG	APPR: WALLY WANG		
CHG:	TOOLING RELEASE			
EC NO.	RF98-001	DRWN: IRIS 1997/07/09		
CHK:	SAM HUANG	APPR: WALLY WANG		

- UNLESS OTHERWISE SPECIFIED DIMS ARE INCHES AND ANGLES ARE DEGREES.
- ✓ 63 ALL OVER.
 - NO CHATTER OR NON-UNIFORM SURFACE FINISH ALLOWED.
 - PARTS TO BE FREE OF BURRS & SHARP EDGES .005 MAX BREAK.
 - EXTERNAL THREADS TO BE ROLLED OR SINGLE POINT.
 - DIAMETERS TO BE CONCENTRIC WITHIN .003 TIR.

QUALITY SYMBOLS
MAJOR
CRITICAL

GENERAL TOLERANCES: (UNLESS SPECIFIED)	SCALE	DESIGN UNITS
4 PLACES * — * —	—	<input checked="" type="checkbox"/> mm <input type="checkbox"/> INCH
3 PLACES * — * —		
2 PLACES * .13 * —		
1 PLACE * .25 * —		
ANGULAR: ±2°		
DRAFT WHERE APPLICABLE MUST REMAIN WITHIN DIMENSIONS		

DRAWN BY & DATE	IRIS WANG 1997/07/09
CHECKED BY & DATE	
APPROVED BY & DATE	
CAD FILENAME	

THIRD ANGLE PROJECTION	DIMENSIONS: <input type="checkbox"/> mm <input checked="" type="checkbox"/> INCH <input type="checkbox"/> mm ONLY	SHT 1	REV C
TITLE:	50 OHM SMA(J) B/H FOR RG316 SMA-JC		
MATERIAL NO. SEE NOTE	DRAWING NO. SD-73391-0030	SHEET NO. 1 of 1	
THIS DRAWING CONTAINS INFORMATION THAT IS PROPRIETARY TO MOLEX INCORPORATED AND SHOULD NOT BE USED WITHOUT WRITTEN PERMISSION.			
			SIZE B