

MATERIALS AND FINISHES

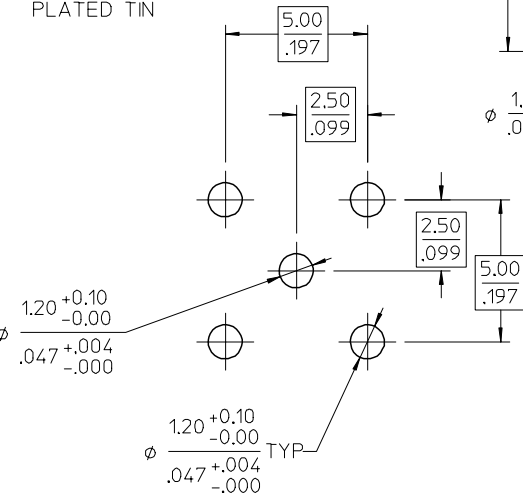
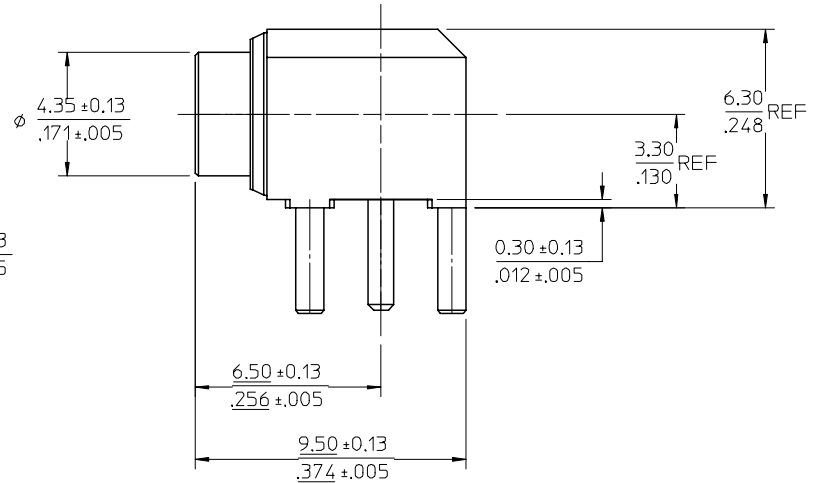
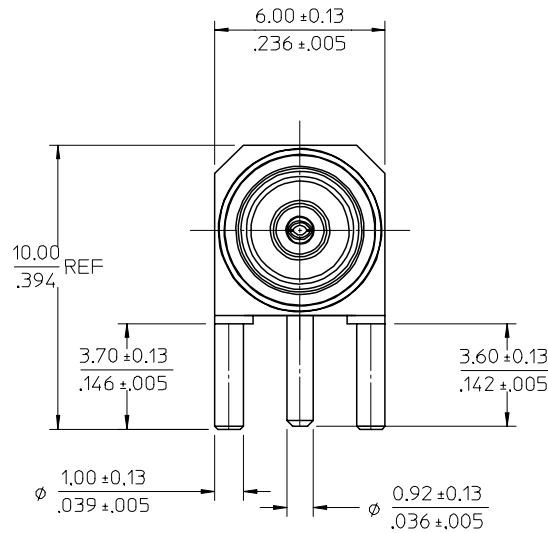
(73366-0030/73366-0031)
 BODY BRASS,
 PLATED NICKEL

(73366-0032)
 BODY BRASS
 PLATED GOLD

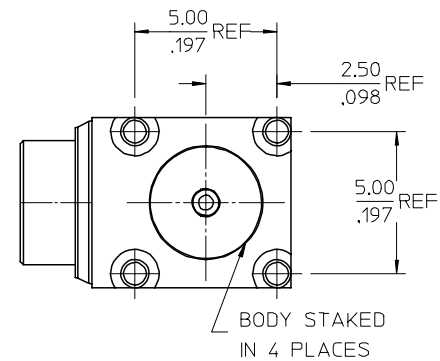
CENTER CONTACT BERYLLIUM COPPER,
 PLATED GOLD

INSULATOR TEFLON

HOUSING ZINC ALLOY,
 PLATED TIN



RECOMMENDED MOUNTING PATTERN



PS-73598-0132

PRODUCT SPECIFICATION

SPECIFICATION

DESCRIPTION

UNLESS OTHERWISE SPECIFIED DIMS ARE MILLIMETERS AND ANGLES ARE DEGREES.

- ALL OVER.
- NO CHATTER OR NON-UNIFORM SURFACE FINISH ALLOWED.
- PARTS TO BE FREE OF BURRS & SHARP EDGES 0.13(0.005) MAX BREAK.
- EXTERNAL THREADS TO BE ROLLED OR SINGLE POINT.
- DIAMETERS TO BE CONCENTRIC WITHIN 0.08(0.003) TIR.

CHG: REDREW IN SD
 ADDED P/N
 73366-0032 AND
 SHEET 2 & 3
 RMVED PLATING
 THICKNESS CALLOUTS
 ADDED STAKING NOTE
 REMOVED NOTE
 THESE DIMENSIONS
 SHOULD BE
 INSPECTED..
 EC NO: URF2005-0484
 DRAWN: FLAHERY 2005/05/12
 CHKD: SHAH 2005/05/12
 APPR: IMLENER 2005/05/12

QUALITY SYMBOLS
 ▽=0
 ▽=0

GENERAL TOLERANCES (UNLESS SPECIFIED)

	mm	INCH
4 PLACES	± .005	± .0005
3 PLACES	± .005	± .0005
2 PLACES	± .005	± .0005
1 PLACE	± .005	± .0005
ANGULAR ± 2°		

DIMENSION STYLE
 MM/IN

DRAWN BY	DATE
LYNN	2000/02/10
CHECKED BY	DATE
PENNY	2000/02/10
APPROVED BY	DATE
MISEN	2000/02/10

SCALE
 DESIGN UNITS
 METRIC

THIRD ANGLE PROJECTION

50 OHMS MCX(J) R/A PCB
 MCX-J/RA/PCB

MOLEX INCORPORATED

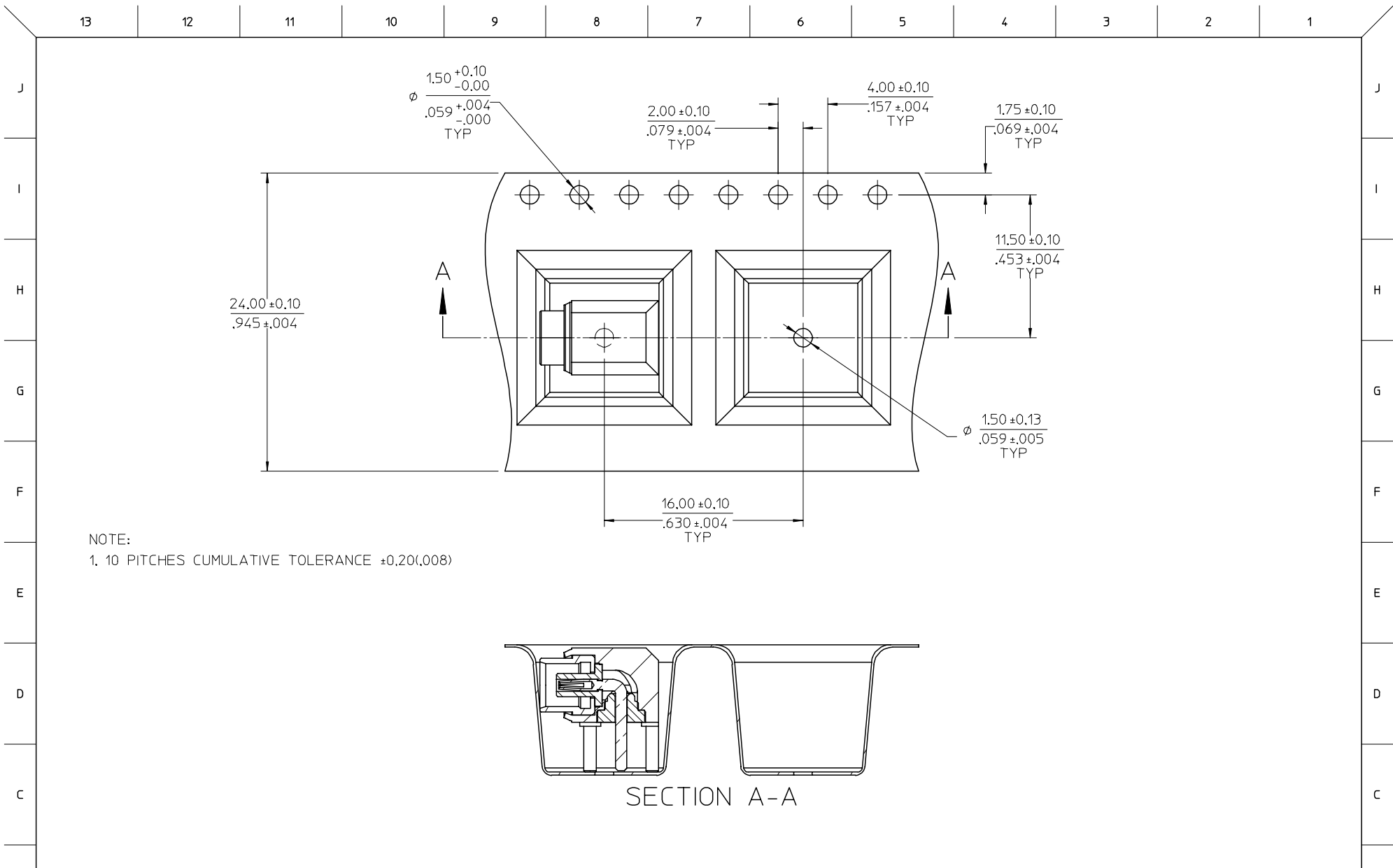
DRAFT WHERE APPLICABLE MUST REMAIN WITHIN DIMENSIONS

MATERIAL NO.
 SEE NOTE

DOCUMENT NO.
 SD-73366-003

SHEET NO.
 1 OF 3

THIS DRAWING CONTAINS INFORMATION THAT IS PROPRIETARY TO MOLEX INCORPORATED AND SHOULD NOT BE USED WITHOUT WRITTEN PERMISSION



NOTE:
1, 10 PITCHES CUMULATIVE TOLERANCE $\pm 0.20(,008)$

SECTION A-A

UNLESS OTHERWISE SPECIFIED DIMS ARE MILLIMETERS AND ANGLES ARE DEGREES.

- \sqrt{R} ALL OVER.
- NO CHATTER OR NON-UNIFORM SURFACE FINISH ALLOWED.
- PARTS TO BE FREE OF BURRS & SHARP EDGES 0.13(,005) MAX BREAK.
- EXTERNAL THREADS TO BE ROLLED OR SINGLE POINT.
- DIAMETERS TO BE CONCENTRIC WITHIN 0.08(,003) TIR.

CHG: SEE SHEET 1
EC NO: URF/2005-0484
DRAWN: FLAHERTY 2005/05/12
CHKD: SHAH 2005/05/12
APPR: WILNER 2005/05/12

QUALITY SYMBOLS

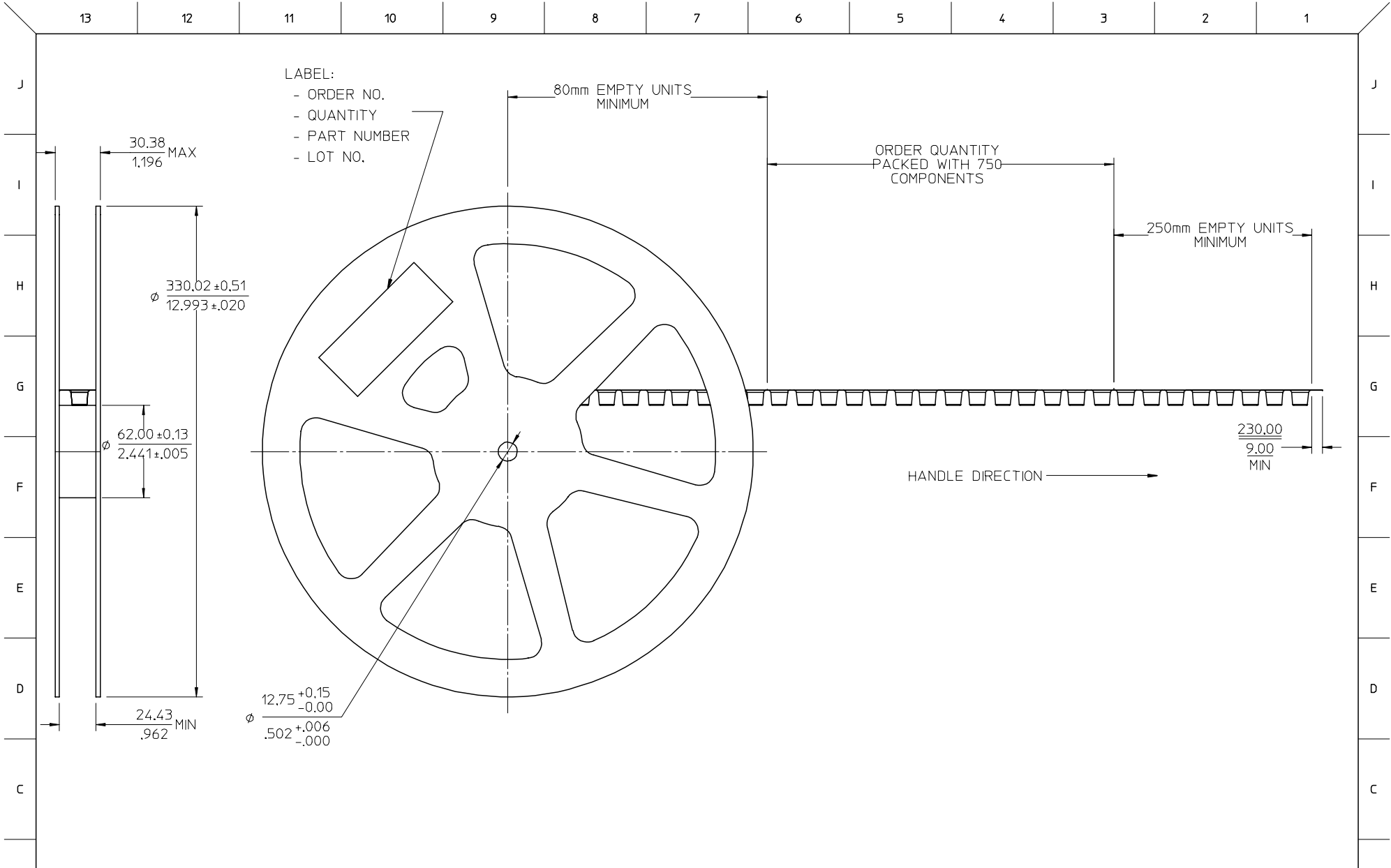
 DESCRIPTION

GENERAL TOLERANCES (UNLESS SPECIFIED)	
mm	INCH
4 PLACES ± .005	± .0004
3 PLACES ± .003	± .0003
2 PLACES ± .002	± .0002
1 PLACE ± .001	± .0001
ANGULAR $\pm 2^\circ$	

DRAFT WHERE APPLICABLE MUST REMAIN WITHIN DIMENSIONS

DIMENSION STYLE	
MM/IN	
DRAWN BY	DATE
LYNN	2000/02/10
CHECKED BY	DATE
PENNY	2000/02/10
APPROVED BY	DATE
MISEN	2000/02/10

SCALE	DESIGN UNITS	THIRD ANGLE PROJECTION
	METRIC	
TITLE		
50 OHMS MCX(J) R/A PCB MCX-J/RA/PCB		
MATERIAL NO.		
SEE SHEET 1		
DOCUMENT NO.		
SD-73366-003		
SHEET NO.		2 OF 3



LABEL:
 - ORDER NO.
 - QUANTITY
 - PART NUMBER
 - LOT NO.

ORDER QUANTITY
 PACKED WITH 750
 COMPONENTS

250mm EMPTY UNITS
 MINIMUM

230.00
 9.00
 MIN

HANDLE DIRECTION →

UNLESS OTHERWISE SPECIFIED DIMS
 ARE MILLIMETERS AND ANGLES ARE DEGREES.

- ALL OVER.
- NO CHATTER OR NON-UNIFORM SURFACE FINISH ALLOWED.
- PARTS TO BE FREE OF BURRS & SHARP EDGES 0,13(,005) MAX BREAK.
- EXTERNAL THREADS TO BE ROLLED OR SINGLE POINT.
- DIAMETERS TO BE CONCENTRIC WITHIN 0,08(,003) TIR.

CHG: SEE SHEET 1
 EC NO: URF2005-0484
 DRAWN: FLAHERY 2005/05/12
 CHKD: SHAH 2005/05/12
 APPR: JMLENER 2005/05/12

QUALITY SYMBOLS
 ▽=0
 ▽=0

GENERAL TOLERANCES (UNLESS SPECIFIED)	
mm	INCH
4 PLACES ± .---	± .---
3 PLACES ± .---	± .---
2 PLACES ± .---	± .---
1 PLACE ± .---	± .---
ANGULAR ± 2 °	

DRAFT WHERE APPLICABLE MUST REMAIN WITHIN DIMENSIONS

DIMENSION STYLE
 MM/IN

DRAWN BY
 LYNN

DATE
 2000/02/10

CHECKED BY
 PENNY

DATE
 2000/02/10

APPROVED BY
 MISEN

DATE
 2000/02/10

MATERIAL NO.
 SEE SHEET 1

SCALE
 DESIGN UNITS
 METRIC

THIRD ANGLE PROJECTION

TITLE
 50 OHMS MCX(J) R/A PCB
 MCX-J/RA/PCB

MOLEX INCORPORATED

DOCUMENT NO.
 SD-73366-003

SHEET NO.
 3 OF 3

THIS DRAWING CONTAINS INFORMATION THAT IS PROPRIETARY TO MOLEX INCORPORATED AND SHOULD NOT BE USED WITHOUT WRITTEN PERMISSION