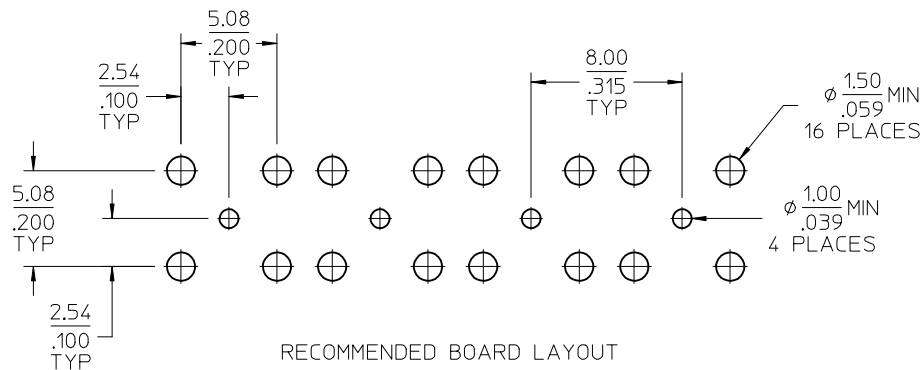
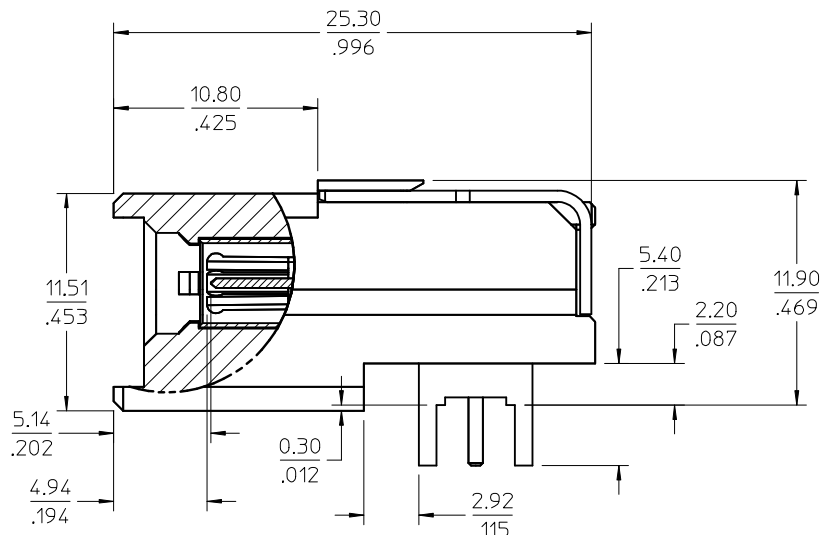
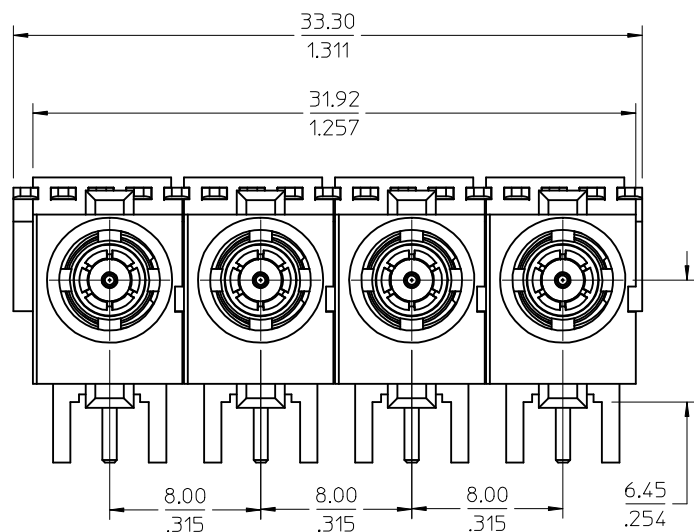
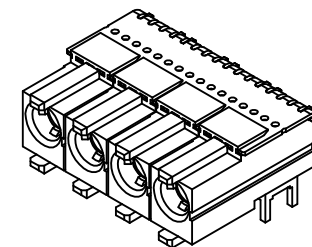
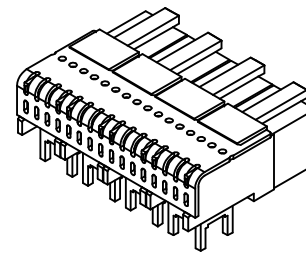


MATERIAL AND FINISHES:

COAX ASSEMBLY (73174-1060)
SEE SD-73174-106

STIFFENER 304 STAINLES STEEL
FINISH MILL 2B OR EQUIVALENT



PART # 73358-0980

RECOMMENDED BOARD LAYOUT

CHG: NEW RELEASE EC NO: URF2012-0786 DRW:SSHAH 2012/06/27 CHKD:ROBERTSON 2012/06/27 APPR:JWIENER 2012/06/28	DESCRIPTION	QUALITY SYMBOLS	GENERAL TOLERANCES (UNLESS SPECIFIED)	DIMENSION STYLE	SCALE	DESIGN UNITS	THIRD ANGLE PROJECTION
		▽=0 ▽=0 ▽=0	mm INCH	MM/IN	METRIC	☉	
REV A			4 PLACES ± --- ± --- 3 PLACES ± --- ± --- 2 PLACES ± --- ± --- 1 PLACE ± --- ± --- 0 PLACE ± --- ± ---	DRAWN BY DATE SSHAH 2012/06/27	TITLE	GANG OF 4 10/2.3 MALE 75/75 OHMS EWR-4930 10/2.3-GANG	
			ANGULAR ± 2 °	CHECKED BY DATE ROBERTSON 2012/06/27	molex		
			DRAFT WHERE APPLICABLE MUST REMAIN WITHIN DIMENSIONS	APPROVED BY DATE JWIENER 2012/06/28	MATERIAL NO. 733580980	DOCUMENT NO. SD-73358-098	SHEET NO. 1 OF 1
				THIS DRAWING CONTAINS INFORMATION THAT IS PROPRIETARY TO MOLEX INCORPORATED AND SHOULD NOT BE USED WITHOUT WRITTEN PERMISSION			