

13 12 11 10 9 8 7 6 5 4 3 2 1

MATERIALS AND FINISHES

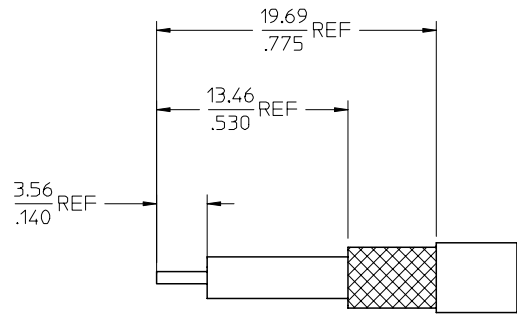
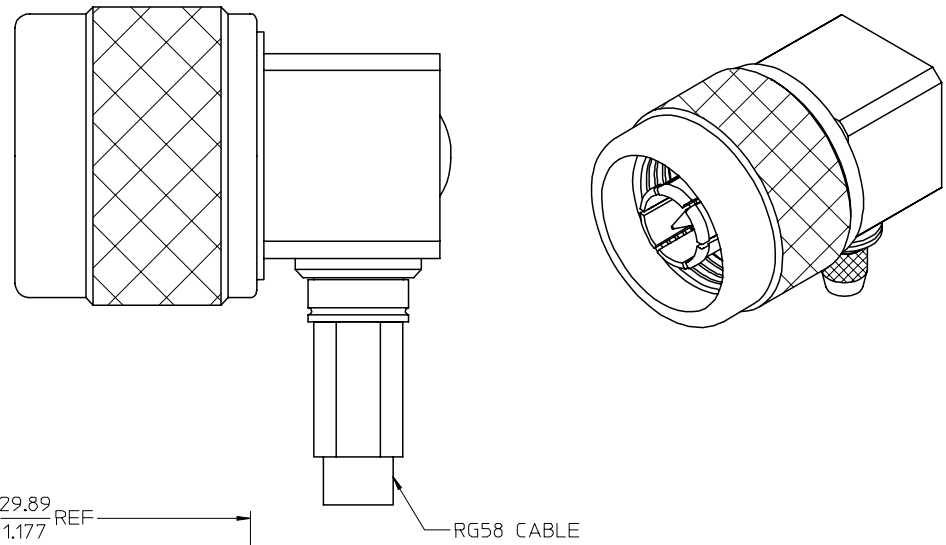
BODY, COUPLING NUT, CAP, OUTER CONTACT BRASS
PLATED NICKEL

CENTER CONTACT BRASS
PLATED GOLD

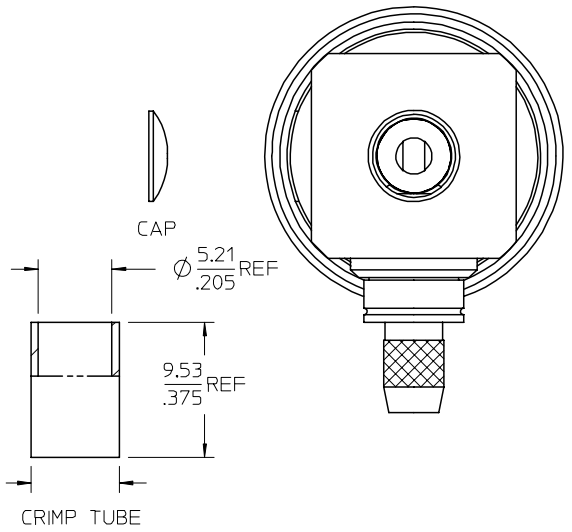
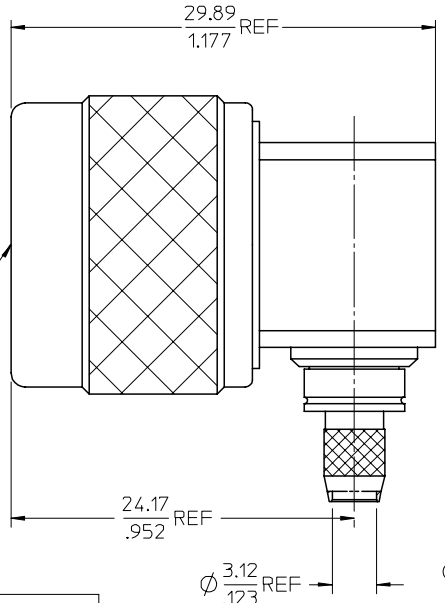
INSULATOR TEFLON

GASKET SILICONE RUBBER

CRIMP HEX 5.41(.213) HEX



STRIP DIMENSIONS
N PLUG INTERFACE



PART # 73276-0190

MIL-STD-348A, FIG. 304.1	INTERFACE
SPECIFICATION	DESCRIPTION

UNLESS OTHERWISE SPECIFIED DIMS ARE MILLIMETERS AND ANGLES ARE DEGREES.

- \forall ALL OVER.
- NO CHATTER OR NON-UNIFORM SURFACE FINISH ALLOWED.
- PARTS TO BE FREE OF BURRS & SHARP EDGES 0.13(.005) MAX BREAK.
- EXTERNAL THREADS TO BE ROLLED OR SINGLE POINT.
- DIAMETERS TO BE CONCENTRIC WITHIN 0.08(.003) TIR.

CHG: RELEASE DWG
FC NO: URF2006-0082
DRAWN: JMASTRAND 2005/08/25
CHKD: JMASTRAND 2005/08/29
APPR: JIMENER 2005/08/30

REVISIONS

DESCRIPTION

QUALITY SYMBOLS	
$\nabla=0$	
$\nabla=0$	
GENERAL TOLERANCES (UNLESS SPECIFIED)	
	mm INCH
4 PLACES	± .005 ± .0002
3 PLACES	± .005 ± .0002
2 PLACES	± .005 ± .0002
1 PLACE	± .005 ± .0002
ANGULAR ± 2 °	
DRAFT WHERE APPLICABLE MUST REMAIN WITHIN DIMENSIONS	

DIMENSION STYLE	
MM/IN	
DRAWN BY	DATE
JM	2005/08/24
CHECKED BY	DATE
JM	2005/08/24
APPROVED BY	DATE
JDW	2005/08/24
MATERIAL NO.	DOCUMENT NO.
732760190	SD-73276-019

SCALE	DESIGN UNITS	THIRD ANGLE PROJECTION
	METRIC	
N PLUG, R/A FOR RG58 CABLE, 50 OHMS EWR-2894, N-PC/RA		
MOLEX INCORPORATED		
MATERIAL NO.	DOCUMENT NO.	SHEET NO.
732760190	SD-73276-019	1 OF 1
THIS DRAWING CONTAINS INFORMATION THAT IS PROPRIETARY TO MOLEX INCORPORATED AND SHOULD NOT BE USED WITHOUT WRITTEN PERMISSION		

12 11 10 9 8 7 6 5 4 3 2 1