

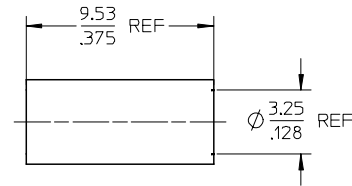
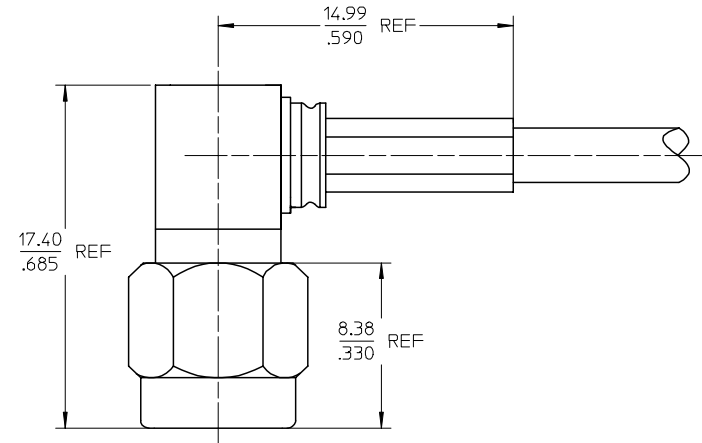
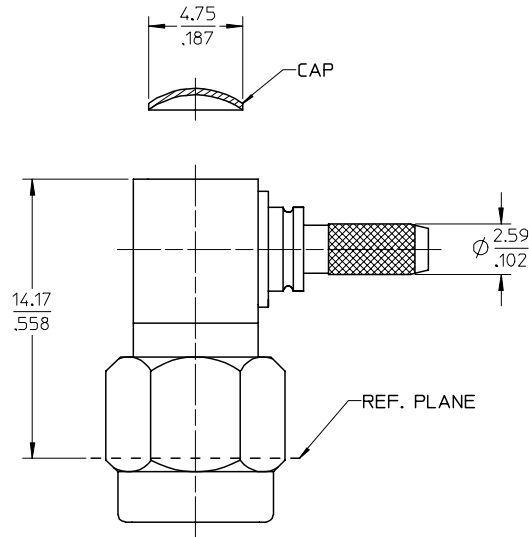
10 9 8 7 6 5 4 3 2 1

MATERIALS AND FINISHES:

BODY, CAP, AND C'NUT BRASS  
PLATED GOLD

CENTER CONTACT BRASS  
PLATED GOLD

CRIMP TUBE, BRASS  
PLATED NICKEL



CRIMP TUBE

ES-89675-1600	CABLE ASSY INSTRUCTIONS
MIL-STD-348, FIGURE 310-1	INTERFACE
PS-89675-1300	ELECTRO/MECH PERFORMANCE
SPECIFICATION	DESCRIPTION

RELEASE INTO WORKMANGER EC NO: URF-2005-0378  
 2005/03/10  
 DRWN:CLLI  
 2005/03/18  
 CHKD:  
 APPR:MHUANG  
 2005/03/21

QUALITY SYMBOLS  
 $\nabla=0$   
 $\nabla C=0$

GENERAL TOLERANCES (UNLESS SPECIFIED)	
	MM
4 PLACES	$\pm .0005$
3 PLACES	$\pm .005$
2 PLACES	$\pm .01$
1 PLACE	$\pm .01$
ANGULAR $\pm 1/2^\circ$	
DRAFT WHERE APPLICABLE MUST REMAIN WITHIN DIMENSIONS	

DIMENSION STYLE	
MM/IN	
DRAWN BY	DATE
TEF	2002/12/23
CHECKED BY	DATE
SSS	2002/12/23
APPROVED BY	DATE
GMH	2002/12/23
MATERIAL NO.	73251-0811
SIZE	A3

SCALE	DESIGN UNITS	THIRD ANGLE PROJECTION
4:1	INCH	
TITLE		
50 OHM SMA L45497-F2407-L SMA-PC		
MOLEX INCORPORATED		SHEET NO.
DOCUMENT NO.		2 OF 2
73251-0811		SD-73251-081
THIS DRAWING CONTAINS INFORMATION THAT IS PROPRIETARY TO MOLEX INCORPORATED AND SHOULD NOT BE USED WITHOUT WRITTEN PERMISSION		

9 8 7 6 5 4 3 2 1