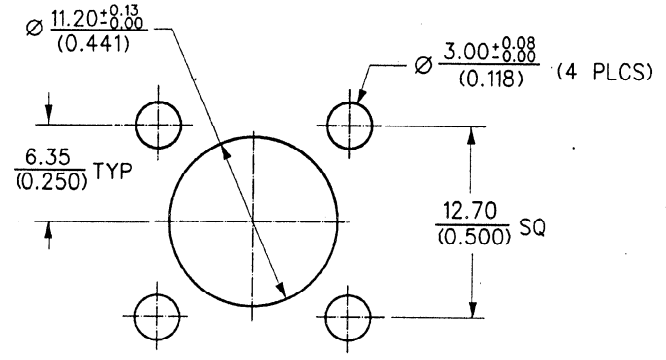
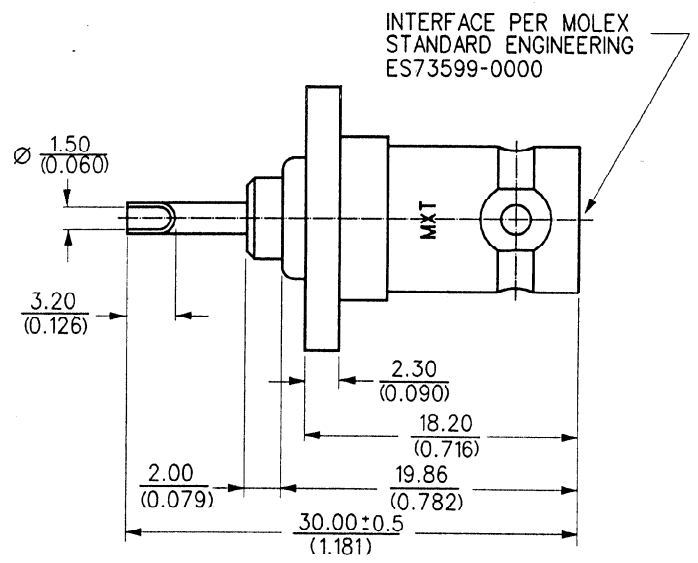
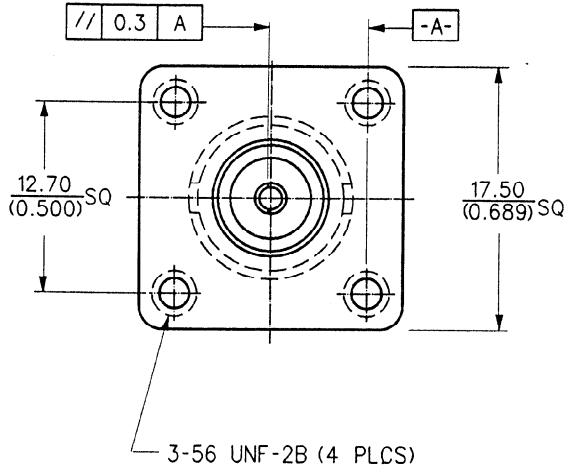


8 7 6 5 4 3 2 1

ENG. NO.
EDP NO.
SIMILAR ITEM
PROJECT NO.
DO NOT SCALE DRAWING



RECOMMENDED MOUNTING PATTERN

CONSTRUCTION:
CONNECTOR BODY -----BRASS
DIELECTRIC -----TEFLON
CENTER CONDUCTOR-----PHOSPHOR BRONZE

FINISH:
CONNECTOR BODY -----NICKEL PLATING
CENTER CONDUCTOR -----TIN PLATING

MECHANICAL & ELECTRICAL CHARACTERISTICS:
PER PRODUCT SPECIFICATION PS-73598-0019

MATERIAL & FINISH:
PER PRODUCT SPECIFICATION PS-73598-0019

PACKAGING:
INDIVIDUAL PLASTIC BAG

MATERIAL : SEE NOTES		MOLEX TAIWAN LTD. (R.F. DIVISION)
FINISH : SEE NOTES		
SCALE : 3:1	UNIT : mm/(INCH)	GENERAL TOLERANCES ANGLE : ± 3° DIM. ± 0.25/(0.01)
DRAWN BY : <i>Dang</i>		DWG. NO. : SDA-73124-5005
CHK'D BY :		REV A
LTR/REVISION RECORD	ECN	DATE
DR	CHK	DATE
APPR'D BY : <i>[Signature]</i>		'93/3/15
STANDARD ITEM <input type="checkbox"/> YES <input type="checkbox"/> NO		TITLE : 50 OHMS BNC (J) STRAIGHT PANEL RECEPTACLE
SHEET 1 OF 1		

THIS DRAWING CONTAINS INFORMATION THAT IS PROPRIETARY TO MOLEX TAIWAN AND SHOULD NOT BE USED WITHOUT WRITTEN PERMISSION MXT , So - 13