

8 7 6 5 4 3 2 1

ENG. NO SDA-73115-7053

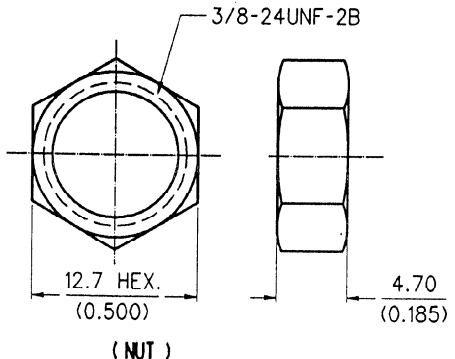
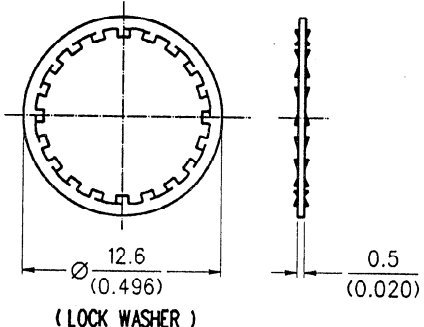
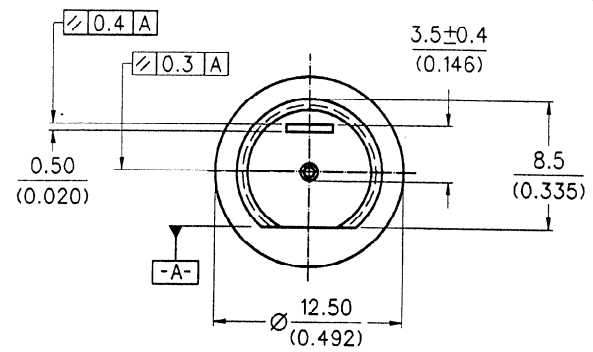
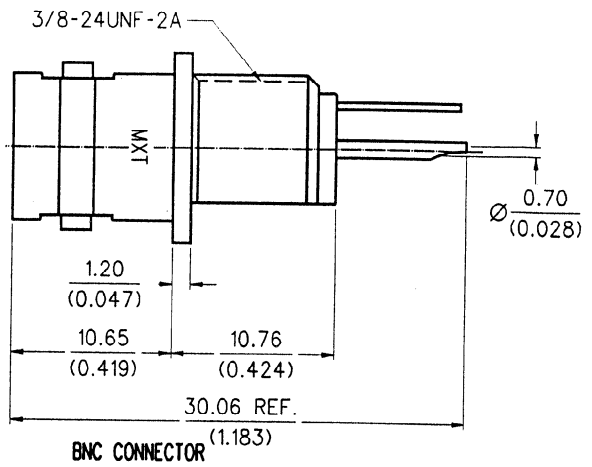
EDP NO.

SIMILAR ITEM

PROJECT NO. 73115-7053

DO NOT SCALE DRAWING

INTERFACE PER MOLEX STANDARD ES-73599-0000



MAXIMUM PANEL THICKNESS: 2.66 mm  
RECOMMENDED MOUNTING TORQUE: 4.5 INCH LBS MAX.

**CONSTRUCTION:**

- CONNECTOR BODY----- BRASS
- DIELECTRIC----- PLOY-BUTYLENE TEREPHTHALATE (WHITE COLOR)
- CENTER CONTACT----- PHOSPHOR BRONZE
- LOCK WASHER----- BRASS
- NUT----- BRASS

**FINISH:**

- CONNECTOR BODY----- NICKEL PLATING
- CENTER CONTACT----- GOLD PLATING (FLASH)
- LOCK WASHER----- NICKEL PLATING
- NUT----- NICKEL PLATING

**MECHANICAL & ELECTRIC CHARACTERISTICS:**  $\Delta$ B

PER PRODUCT SPECIFICATION PS-73598-0020

**MATERIAL & FINISH:**  $\Delta$ B

PER PRODUCT SPECIFICATION PS-73598-0020

PACKAGING: IBULKPACK

MATERIAL : SEE NOTE		MOLEX TAIWAN LTD. ( R.F. DIVISION )
FINISH : SEE NOTE		
SCALE : 3:1 UNIT : mm(INCH)		GENERAL TOLERANCES ANGLE ± 3° DIM. ± 0.25 ( ± .01 )
DRAWN BY : IRIS WANG 92/02/19		DRW. NO. SDA-73115-7053
CHK'D BY : [Signature]		REV B
APPR'D BY : [Signature]		TITLE : 75 OHMS BNC JACK STRAIGHT BULKHEAD RECEPTACLE
STANDARD ITEM <input type="checkbox"/> YES <input checked="" type="checkbox"/> NO		SHEET 1 OF 1

THIS DRAWING CONTAINS INFORMATION THAT IS PROPRIETARY TO MOLEX TAIWAN AND SHOULD NOT BE USED WITHOUT WRITTEN PERMISSION MXT, So - 13