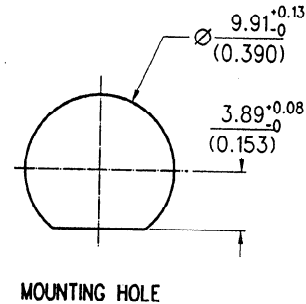
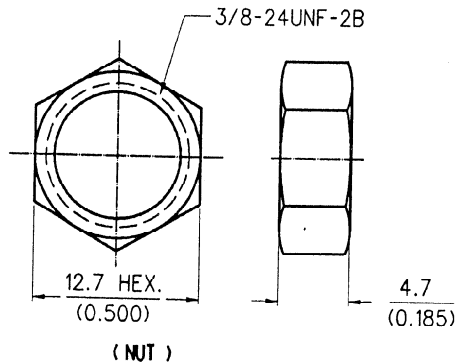
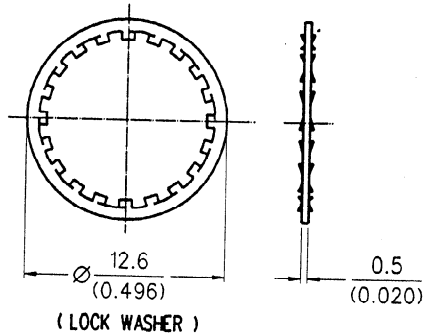
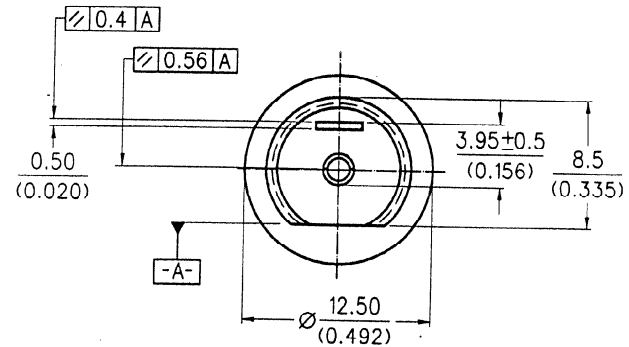
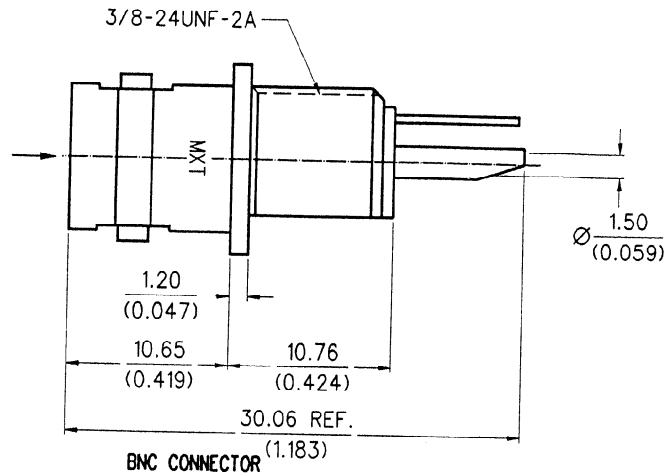


INTERFACE PER  
MOLEX STANDARD  
ES-73599-0000



MAXIMUM PANEL THICKNESS: 2.66mm  
RECOMMENDED MOUNTING TORQUE: 4.5 INCH LBS MAX.

**CONSTRUCTION:**

- CONNECTOR BODY-----BRASS
- DIELECTRIC-----PLOY-BUTYLENE TEREPHTHALATE (WHITE COLOR)
- CENTER CONTACT-----PHOSPHOR BRONZE
- LOCK WASHER-----PHOSPHOR BRONZE
- NUT-----BRASS

**FINISH:**

- CONNECTOR BODY-----NICKEL PLATING
- CENTER CONTACT-----GOLD PLATING (10u")
- LOCK WASHER-----NICKEL PLATING
- NUT-----NICKEL PLATING

**MECHANICAL & ELECTRIC CHARACTERISTICS:**

PER PRODUCT SPECIFICATION PS-73598-0019

**MATERIAL & FINISH:**

PER PRODUCT SPECIFICATION PS-73598-0019

**PACKAGING:** INDIVIDUAL PACKAGING WITH PLASTIC BAGS

MATERIAL : SEE NOTE		MOLEX TAIWAN LTD. ( R.F. DIVISION )
FINISH : SEE NOTE		
SCALE : 3:1 UNIT : mm(INCH)		GENERAL TOLERANCES ANGLE : ± 3° DIM. : ± 0.25 ( ± 0.1 )
DRAWN BY : LILY 92/01/16		DRW NO. : SDA-73115-5003 REV H
CHK'D BY : <i>Via Wang</i> 95/10/04		TITLE : 50 OHMS BNC JACK STRAIGHT BULKHEAD RECEPTACLE
APPR'D BY : <i>R.J.H</i> 95/10/23		
STANDARD ITEM <input type="checkbox"/> YES <input checked="" type="checkbox"/> NO		SHEET 1 OF 1

THIS DRAWING CONTAINS INFORMATION THAT IS PROPRIETARY TO MOLEX TAIWAN AND SHOULD NOT BE USED WITHOUT WRITTEN PERMISSION MXT , So - 13

BNC-JR/BK

ENG NO 73115-5003  
 EDP NO  
 SIMILAR ITEM  
 CAD FILE NO S1155003.DGN  
 DO NOT SCALE DRAWING