

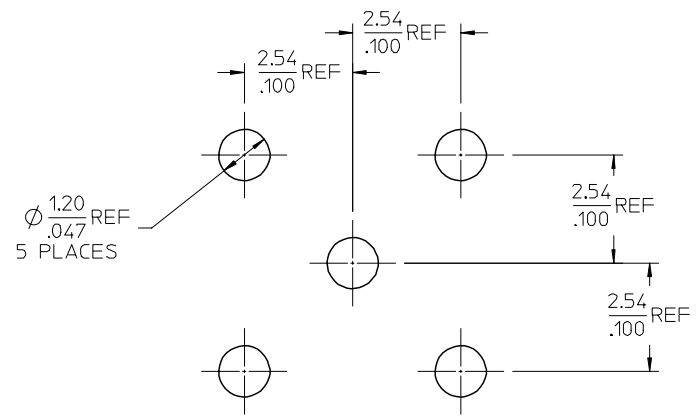
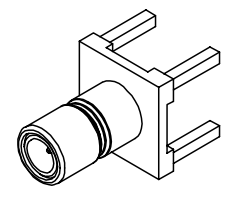
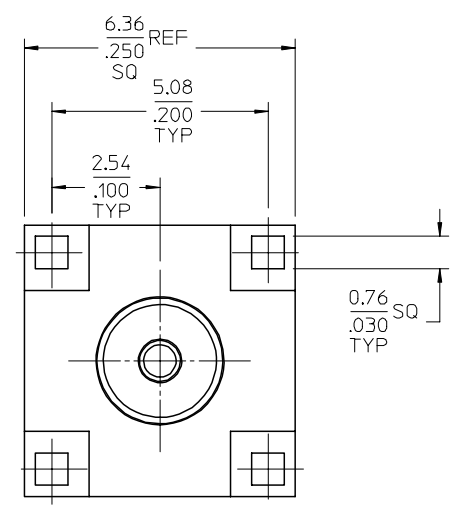
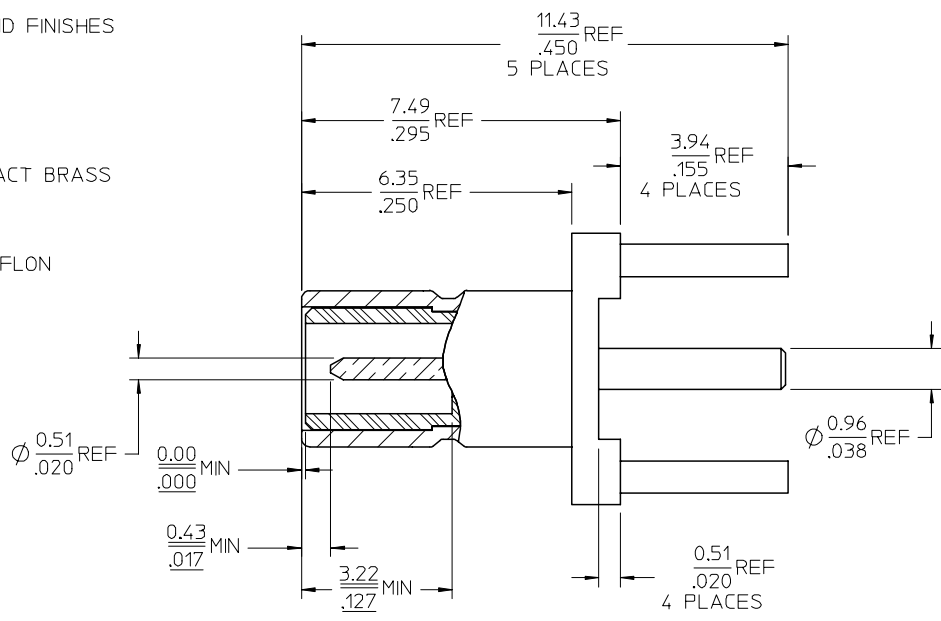
13 12 11 10 9 8 7 6 5 4 3 2 1

MATERIALS AND FINISHES

BODY BRASS
PLATED GOLD

CENTER CONTACT BRASS
PLATED GOLD

INSULATOR TEFLON



RECOMMENDED PCB MOUNTING HOLE

73396-0590	SMALL TRAY PACKING
73404-2300	73100-0207, ONE PER BAG
73100-0207	TRAY
PART NO.	PACKAGING

PS-73598-0099	INTERFACE
SPECIFICATION	DESCRIPTION

CHG ADDED NOTE
73396-0590, SMALL
TRAY PACKING

FC NO: URF2008-0101
2007/08/28

DRWN: SCHOU
2007/08/28

CHKD:
2007/08/28

APPR: MJIANG
2007/08/29

DESCRIPTION

REV B2

QUALITY SYMBOLS

◻=0

◻=0

GENERAL TOLERANCES (UNLESS SPECIFIED)	
mm	INCH
4 PLACES ±---	±---
3 PLACES ±---	±---
2 PLACES ±---	±---
1 PLACE ±---	±---
ANGULAR ±---°	

DIMENSION STYLE	
MM/IN	
DRAWN BY	DATE
IRIS WANG	1995/11/03
CHECKED BY	DATE
APPROVED BY	DATE

SCALE	DESIGN UNITS	THIRD ANGLE PROJECTION
	METRIC	
SMB JACK, VERTICAL PCB 50 OHMS SMB-JR/PCB		
MOLEX INCORPORATED		
MATERIAL NO.	DOCUMENT NO.	SHEET NO.
SEE TABLE	SD-73100-0207	1 OF 1

DRAFT WHERE APPLICABLE
MUST REMAIN
WITHIN DIMENSIONS

THIS DRAWING CONTAINS INFORMATION THAT IS PROPRIETARY TO MOLEX
INCORPORATED AND SHOULD NOT BE USED WITHOUT WRITTEN PERMISSION

12 11 10 9 8 7 6 5 4 3 2 1