

MATERIALS AND FINISHES

BODY ZINC ALLOY
PLATED NICKEL

CENTER CONTACT PHOSPHOR BRONZE
PLATED GOLD

INSULATOR POLYPROPYLENE (94 V-2)

HOUSING POLYESTER BUTLYENE TEREPHTHALATE
COLOR WHITE

MOUNTING POST BRASS
PLATED TIN

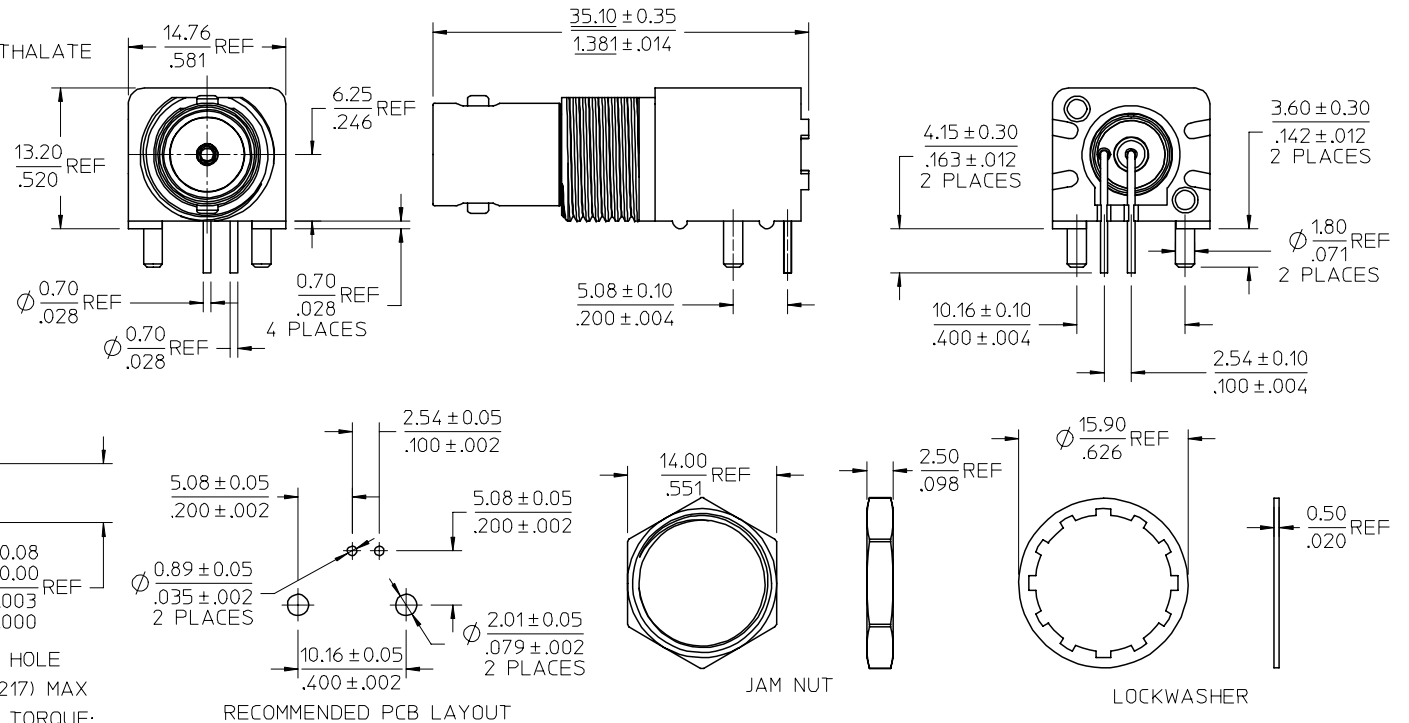
SOLDER TAIL BRASS WIRE
PLATED TIN

LOCKWASHER PHOSPHOR BRONZE
PLATED NICKEL

JAM NUT BRASS
PLATED NICKEL

BNC JACK
INTERFACE

1/2-28 UNEF-2A



RECOMMENDED MOUNTING HOLE
PANEL THICKNESS: 5.50(.217) MAX
RECOMMENDED MOUNTING TORQUE:
0.56 N-m(5 INCH-LBS)

RECOMMENDED PCB LAYOUT

PS-73598-0051	PRODUCT SPECIFICATION
ES-73599-0000	INTERFACE
SPECIFICATION	DESCRIPTION

73171-2990	73100-0069, ONE PER BAG
73100-0069	PLASTIC TRAYS
PART NO.	PACKAGING

CHG: REDREW IN SD ADDED P/N 73171-2990	FC NO: URF 2007-0396 DRAWN: IFLAHERY 2007/05/01 CHKD: SHAH 2007/05/01 APPR: JIMENER 2007/05/01	QUALITY SYMBOLS ▽=0 ▽=0	GENERAL TOLERANCES (UNLESS SPECIFIED)		DIMENSION STYLE MM/IN		SCALE	DESIGN UNITS METRIC	THIRD ANGLE PROJECTION
			4 PLACES ± --- ± ---	3 PLACES ± --- ± ---	2 PLACES ± --- ± ---	1 PLACE ± --- ± ---	mm	INCH	DRAWN BY
A1			ANGULAR ± 2 °		MATERIAL NO.		DOCUMENT NO.		SHEET NO.
DRAFT WHERE APPLICABLE MUST REMAIN WITHIN DIMENSIONS			SEE TABLE		SD-73100-0069		MOLEX INCORPORATED		1 OF 1
THIS DRAWING CONTAINS INFORMATION THAT IS PROPRIETARY TO MOLEX INCORPORATED AND SHOULD NOT BE USED WITHOUT WRITTEN PERMISSION									