

MATERIALS AND FINISHES

BODY BRASS
PLATED NICKEL

CENTER CONTACT BRASS
PLATED GOLD

INSULATOR TEFLON

OUTER CONTACT BRASS
PLATED NICKEL

COUPLING NUT BRASS
PLATED NICKEL

FERRULE BRASS
PLATED NICKEL

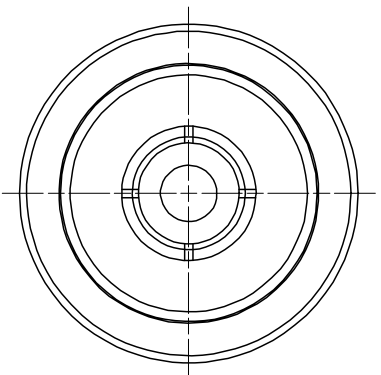
GASKET SILICONE RUBBER

RING PHOSPHOR BRONZE

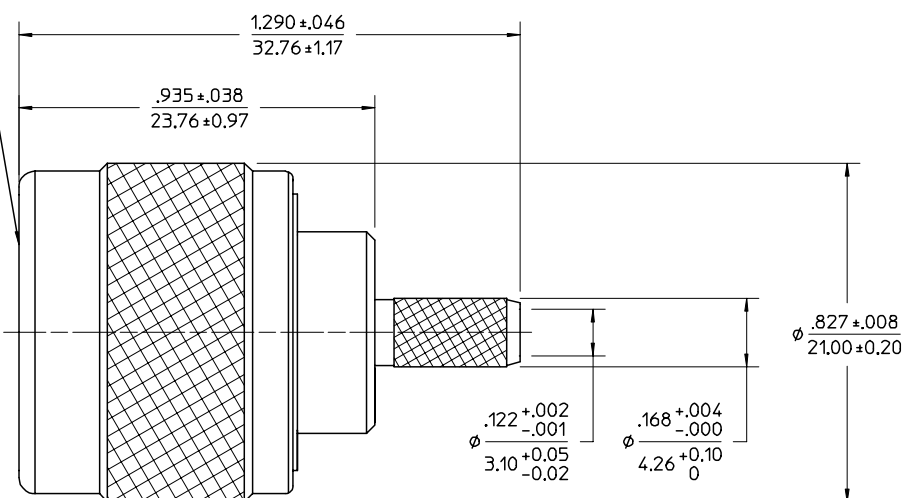
CABLE ATTACHMENT:

CENTER CONTACT----CRIMP(HEX.:1.69)
OUTER CONDUCTOR---CRIMP(HEX.:5.41)

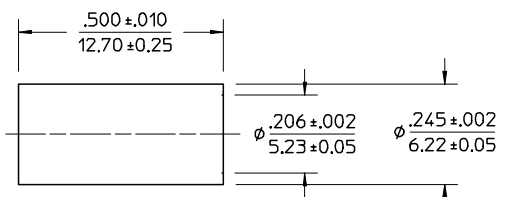
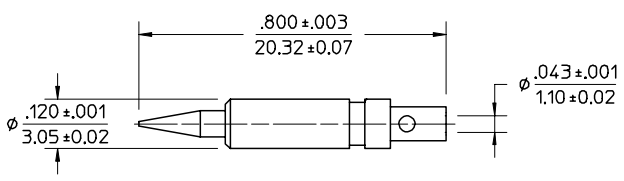
PACKAGING: INDIVIDUAL PLASTIC BAGS.



INTERFACE PER MOLEX
STANDARD ES-73599-0000



PART # 73100-0042



PS-73598-0032	PRODUCT SPECIFICATION
AS-89678-9080	ASSEMBLY INSTRUCTION
SPECIFICATION	DESCRIPTION

CHG: AS-89678-9080 WAS AS-73597-0032 TITLE CHG. 'SD' WAS 'SDA' EC NO. RF03-134 DRWN: CLAIRE 05/20/03 CHK: JOHNSON APPR: MISEN	DESCRIPTION
	REV

UNLESS OTHERWISE SPECIFIED DIMS ARE INCHES AND ANGLES ARE DEGREES.

- ✓ 63 ALL OVER.
- NO CHATTER OR NON-UNIFORM SURFACE FINISH ALLOWED.
- PARTS TO BE FREE OF BURRS & SHARP EDGES .005 MAX BREAK.
- EXTERNAL THREADS TO BE ROLLED OR SINGLE POINT.
- DIAMETERS TO BE CONCENTRIC WITHIN .003 TIR.

QUALITY SYMBOLS
MAJOR
CRITICAL

GENERAL TOLERANCES: (UNLESS SPECIFIED)	
	mm INCH
4 PLACES	* * *
3 PLACES	* * *
2 PLACES	* .13 * *
1 PLACE	* .25 *
ANGULAR: ±2°	

SCALE	DESIGN UNITS
XXX 93/05/13	mm INCH
DRAWN BY & DATE	
CHECKED BY & DATE	
APPROVED BY & DATE	
CAD FILENAME	

THIRD ANGLE PROJECTION		DIMENSIONS:		1	B
mm INCH		mm ONLY		SHT	REV
TITLE: 50 OHMS TYP N STRAIGHT PLUG FOR RG 58C/U, 141/U CRIMP/CRIMP					
MOLEX INCORPORATED - TAIWAN (MXT)					
MATERIAL NO. SEE NOTE	DRAWING NO. SD-73100-0042	SHEET NO. 1 of 1		REVISE ON CAD ONLY	