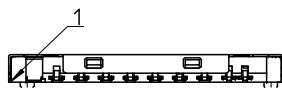
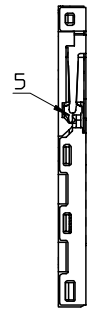
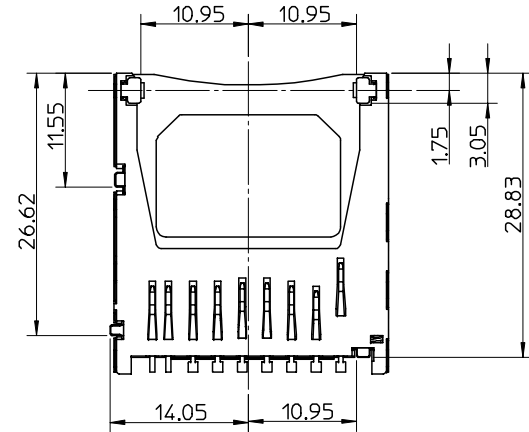
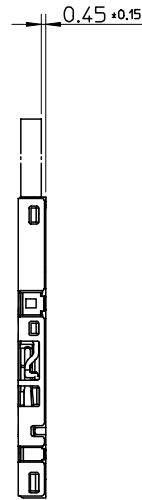
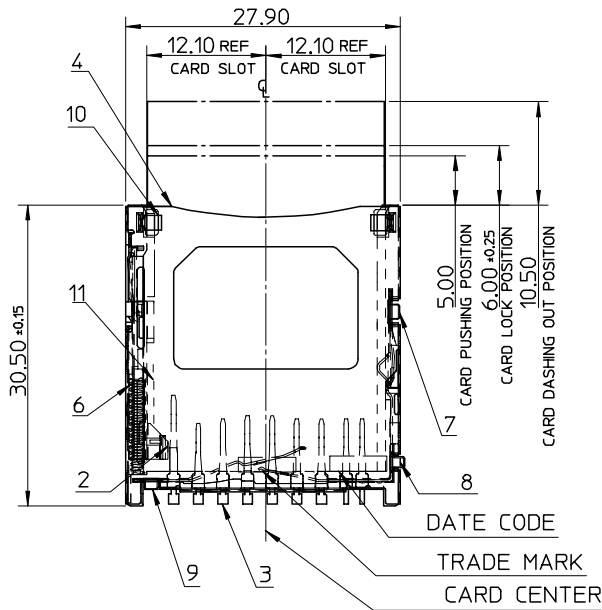
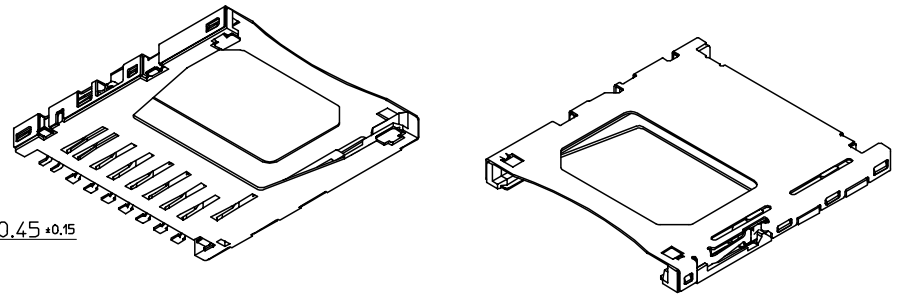
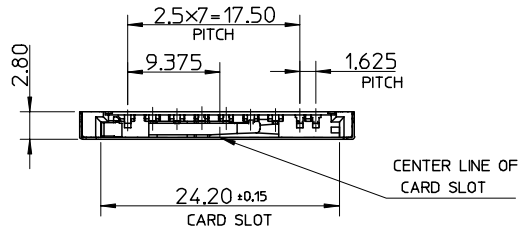


10 9 8 7 6 5 4 3 2 1



NEW RELEASED
 EC NO: SH2005-0227
 DRAWN: G.ZHANG 2005/01/27
 CHKD: HARVEY 2005/01/28
 APPR: Y.TYAP 2005/01/28

QUALITY SYMBOLS
 ▽=0
 ▽=0
 DESCRIPTION
 REV

GENERAL TOLERANCES (UNLESS SPECIFIED)

	mm	INCH
4 PLACES	± ---	± ---
3 PLACES	± ---	± ---
2 PLACES	± 0.25	± ---
1 PLACE	± 0.25	± ---
ANGULAR ± 3 °		

DRAFT WHERE APPLICABLE
 MUST REMAIN WITHIN DIMENSIONS

DIMENSION STYLE
 MM ONLY

DRAWN BY	DATE
DAVID HU	2004/12/20
CHECKED BY	DATE
HARVEY	2004/12/20
APPROVED BY	DATE
VINCENT	2004/12/20
MATERIAL NO.	676008002

SCALE
 1:1

DESIGN UNITS
 METRIC

THIRD ANGLE PROJECTION

TITLE
 SD MEMORY CARD CONN.
 ASS'Y (TOP MOUNT TYPE)
 LEAD-FREE

MOLEX INCORPORATED

DOCUMENT NO.
 SD-67600-003

SHEET NO.
 1 OF 3

THIS DRAWING CONTAINS INFORMATION THAT IS PROPRIETARY TO MOLEX INCORPORATED AND SHOULD NOT BE USED WITHOUT WRITTEN PERMISSION

9 8 7 6 5 4 3 2 1

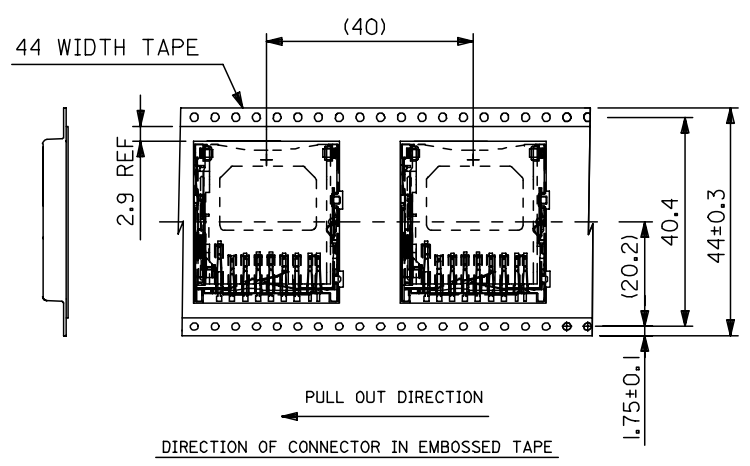
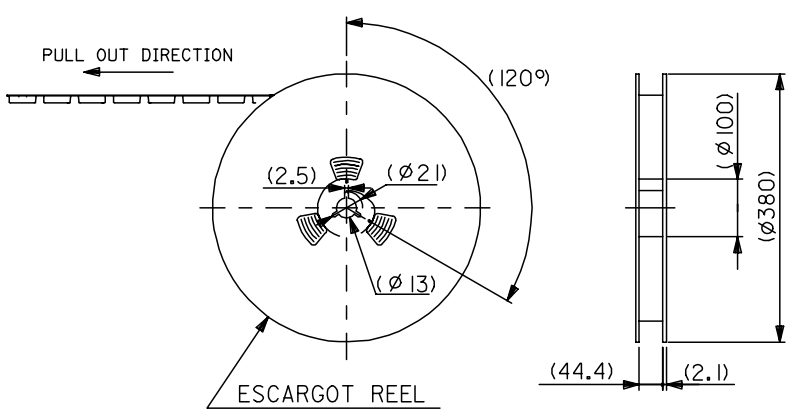
ENG. NO.

EDP NO.

SIMILAR ITEM

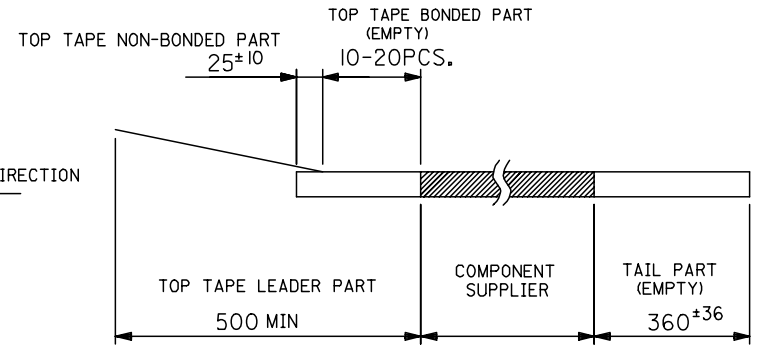
CADFILE NO.

DO NOT SCALE DRAWING

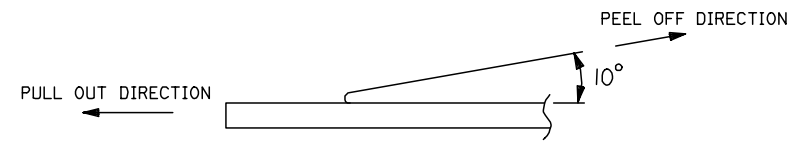


NOTES

1. NUMBER OF CONNECTORS: 400 PCS/REEL
- 2.



3. PEEL-OFF FORCE OF TOP TAPE: 0.1~1.3 N (10.2~130gf)
(PEELING DIRECTION AS SHOWN IN FOLLOWING FIG.)
<PEEL-OFF SPEED:300mm/min (REF.)>



NEW RELEASED	EC NO. DRWN: DAVID HU 2004/12/20 CHK: HARVEY 2004/12/20 APPR:	QUALITY SYMBOLS MAJOR = 0 CRITICAL = 0	GENERAL TOLERANCES: (UNLESS SPECIFIED)		SCALE	DESIGN UNITS	THIRD ANGLE PROJECTION	DIMENSIONS:		SHT	REV											
			<table border="1"> <tr> <td></td> <td>mm</td> <td>INCH</td> </tr> <tr> <td>4 PLACES</td> <td>± .</td> <td>± .</td> </tr> <tr> <td>3 PLACES</td> <td>± .</td> <td>± .</td> </tr> <tr> <td>2 PLACES</td> <td>±0.25</td> <td>±0.01</td> </tr> <tr> <td>1 PLACE</td> <td>±0.25</td> <td>±0.01</td> </tr> </table>		mm	INCH	4 PLACES	± .	± .	3 PLACES	± .	± .	2 PLACES	±0.25	±0.01	1 PLACE	±0.25	±0.01	mm <input type="checkbox"/> INCH <input type="checkbox"/> mm <input checked="" type="checkbox"/> mm ONLY <input type="checkbox"/>	mm <input type="checkbox"/> INCH <input type="checkbox"/> mm <input checked="" type="checkbox"/> mm ONLY <input type="checkbox"/>	mm <input type="checkbox"/> INCH <input type="checkbox"/> mm <input checked="" type="checkbox"/> mm ONLY <input type="checkbox"/>	
	mm	INCH																				
4 PLACES	± .	± .																				
3 PLACES	± .	± .																				
2 PLACES	±0.25	±0.01																				
1 PLACE	±0.25	±0.01																				
A	REV	DESCRIPTION	DRAFT WHERE APPLICABLE MUST REMAIN WITHIN DIMENSIONS		ANGULAR: 3	DRAWN BY & DATE DAVID HU 2004/12/20 CHECKED BY & DATE HARVEY 2004/12/20 APPROVED BY & DATE VINCENT 2004/12/20	TITLE: TAPE & REEL FOR SD CONNECTOR LEAD-FREE		MATERIAL NO. 67600-8002		DRAWING NO. SD-67600-003	SHEET NO. 3 OF 3										
THIS DRAWING CONTAINS INFORMATION THAT IS PROPRIETARY TO MOLEX INCORPORATED AND SHOULD NOT BE USED WITHOUT WRITTEN PERMISSION.						CAD FILENAME S6760003.S01		MOLEX INCORPORATED		SIZE A3												