

| NO. | NAME  | QTY | MATERIAL  |
|-----|---|-----|---|
| ①   | ハウジング<br>HOUSING  | 1   | 耐熱樹脂 ,UL94V-0 色:黒<br>HEAT RESISTANCE POLYMER ,UL94V-0,BLACK |
| ②   | スライダーカム<br>SLIDER CAM   | 1   | 耐熱樹脂 ,UL94V-0 色:黒<br>HEAT RESISTANCE POLYMER ,UL94V-0,BLACK |
| ③   | ターミナル<br>TERMINAL   | 9   | 銅合金 , 接点部:金メッキ<br>COPPER ALLOY ,SELECTIVE Au PLATING        |
| ④   | メタルカバー<br>METAL COVER   | 1   | ステンレス鋼<br>STAINLESS STEEL                                   |
| ⑤   | ピン<br>PIN   | 1   | ステンレス鋼<br>STAINLESS STEEL                                   |
| ⑥   | スプリング<br>SPRING   | 2   | ピアノ線<br>SWP   |
| ⑦   | プロテクトターミナル<br>PROTECT TERMINAL                                  | 1   | 銅合金 , 接点部:金メッキ<br>COPPER ALLOY ,SELECTIVE Au PLATING        |
| ⑧   | プロテクト&<br>ディテクトターミナル<br>PROTECT TERMINAL<br>AND DETECT TERMINAL | 1   | 銅合金 , 接点部:金メッキ<br>COPPER ALLOY ,SELECTIVE Au PLATING        |
| ⑨   | ディテクトターミナル<br>DETECT TERMINAL                                   | 1   | 銅合金 , 接点部:金メッキ<br>COPPER ALLOY ,SELECTIVE Au PLATING        |
| ⑩   | ナール<br>NAIL   | 2   | 銅合金 , 半田メッキ<br>COPPER ALLOY ,Sn-Pb PLATING                  |

NOTES

- ターミナル及びナール平坦度は 0.1 MAX.  
TERMINAL AND NAIL COPLANARITY TO BE 0.1 MAX.
- 各スイッチのオープン/クローズ  
OPENING/CLOSE OF EACH SWITCH

|  | プロテクトターミナル<br>PROTECT TERMINAL              | ディテクトターミナル<br>DETECT TERMINAL |
|--|---|-------------------------------|
| カード書き込み<br>禁止状態<br>WRITE PROTECT<br>POSITION | カード書き込み<br>可能状態<br>WRITE ENABLE<br>POSITION |                               |
| カード未装着状態<br>CARD UNINSERTION                 | オープン<br>OPEN                                | オープン<br>OPEN                  |
| カード装着過程<br>CARD HALF INSERTION               | クローズ<br>CLOSE                               | オープン<br>OPEN                  |
| カード装着<br>CARD INSERTION                      | オープン<br>OPEN                                | クローズ<br>CLOSE                 |

- 納入時、プッシュプッシュ機構はアンロック状態。(カード飛び出し位置)  
WHEN DELIVERING, THE PUSH/PUSH MECHANISM IS IN THE STATE  
OF THE UNLOCK. (CARD DASHING OUT POSITION)

|                                  |   |
|----------------------------------|---|
| 54794-0918                       | 54794-0911                                  |
| エンボス梱包品<br>EMBOSSED TEPE PACKAGE | 製品番号 (トレイ梱包品)<br>MATERIAL NO.(TRAY PACKAGE) |
| MODEL NO.: 54794-**11            |   |

DO NOT SCALE DRAWING

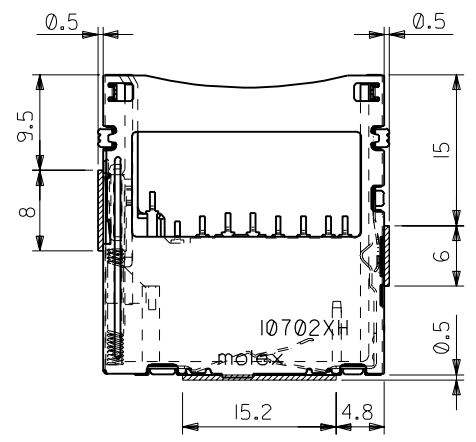
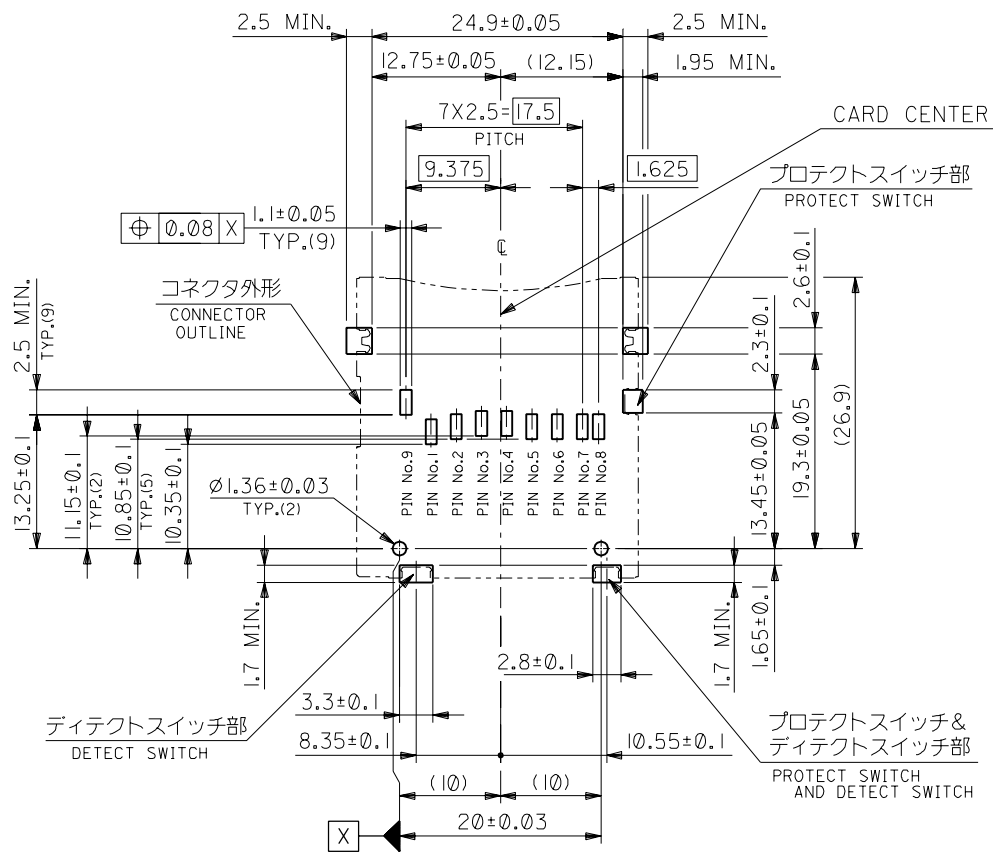
|  |  |   |  |   |                      |                    |
|--|--|---|--|---|----------------------|--------------------|
| 変更<br>EC NO.<br>DRWN:<br>CHK:<br>APPR: | 変更<br>EC NO. J2002-0177<br>DRWN:N.OMORI<br>CHK: J.MIYAZAWA<br>APPR:Y.O.ITO | 変更<br>EC NO. JD2001-0967<br>DRWN:J.MIYAZAWA<br>CHK: Y.ITO<br>APPR:H.IKESUGI | 表参照<br>SEE CHART   | 表参照<br>SEE CHART  | WIRE RANGE<br>適用導線範囲 | INS. RANGE<br>被覆外径 |
| EC NO.<br>DRWN:<br>CHK:<br>APPR:       | EC NO.<br>DRWN:<br>CHK:<br>APPR:   | EC NO.<br>DRWN:<br>CHK:<br>APPR:  | 変更<br>EC NO. J2002-0177<br>DRWN:N.OMORI<br>CHK: J.MIYAZAWA<br>APPR:Y.O.ITO | 変更<br>EC NO. JD2001-0967<br>DRWN:J.MIYAZAWA<br>CHK: Y.ITO<br>APPR:H.IKESUGI | —                    | —                  |

|   |       |              |                           |
|---|-------|--------------|---------------------------|
| GENERAL TOLERANCES:<br>(UNLESS SPECIFIED)<br>一般公差 | SCALE | DESIGN UNITS | THIRD ANGLE<br>PROJECTION |
| 10 UNDER<br>未滿                                    | 2 - 1 | mm □ INCH    | mm □ INCH                 |
| 10 OVER<br>以上                                     |       |              |                           |
| 30 UNDER<br>未滿                                    |       |              |                           |
| 30 OVER<br>以上                                     |       |              |                           |
| ANGLE 角度  |       |              |                           |

|                        |                   |                    |              |
|------------------------|-------------------|--------------------|--------------|
| DRAWN BY & DATE        | CHECKED BY & DATE | APPROVED BY & DATE | CAD FILENAME |
| Y. Miyazawa 2000/06/21 | Y.O.              | Y. Ito             | 54794002.S01 |

|   |                             |                     |         |     |     |
|---|-----------------------------|---------------------|---------|-----|-----|
| DIMENSIONS:   |                             |                     |         | SHT | REV |
| mm □ INCH   | mm □ INCH                   | mm ONLY             | mm ONLY |     |     |
| TITLE:<br>SD MEMORY CARD CONN. ASS'Y<br>(NORMAL TYPE) |                             |                     |         |     |     |
| MOLEX INCORPORATED                                    |                             |                     |         |     |     |
| MATERIAL NO.<br>SEE CHART                             | DRAWING NO.<br>SD-54794-002 | SHEET NO.<br>1 OF 2 |         |     |     |

THIS DRAWING CONTAINS INFORMATION THAT IS PROPRIETARY TO MOLEX INCORPORATED AND SHOULD NOT BE USED WITHOUT WRITTEN PERMISSION.



部品実装禁止エリア  
AREA OF PARTS MOUNTING PROHIBITION

推奨基板寸法  
RECOMMENDED PCB PATTERN LAYOUT

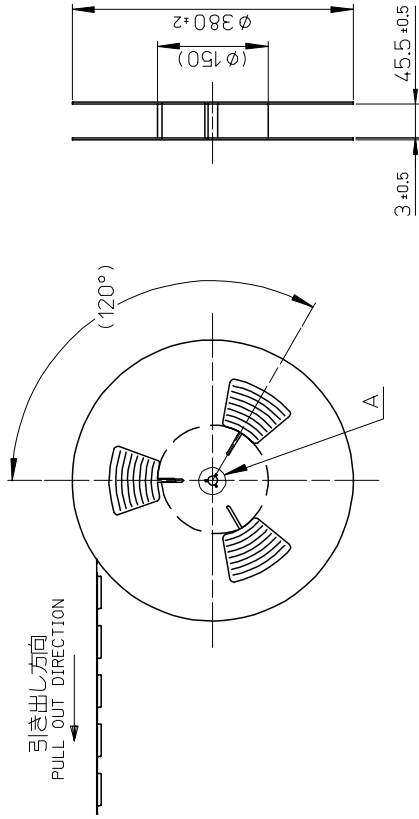
DO NOT SCALE DRAWING

|                                  |  |                                  |  |                                  |  |                                  |  |  |  |                               |   |                              |  |   |   |                              |           |
|----------------------------------|--|----------------------------------|--|----------------------------------|--|----------------------------------|--|--|--|-------------------------------|---|------------------------------|--|---|---|------------------------------|-----------|
| EC NO.<br>DRWN:<br>CHK:<br>APPR: |  | EC NO.<br>DRWN:<br>CHK:<br>APPR: |  | EC NO.<br>DRWN:<br>CHK:<br>APPR: |  | EC NO.<br>DRWN:<br>CHK:<br>APPR: |  | SEE SHEET 1 OF 2<br>EC NO.<br>DRWN:<br>CHK:<br>APPR: |  | DESCRIPTION<br>MATERIAL<br>材料 | GENERAL TOLERANCES:<br>(UNLESS SPECIFIED)<br>一般公差 | SCALE<br>2 - 1               | DESIGN UNITS<br>mm INCH                        | THIRD ANGLE<br>PROJECTION                             | DIMENSIONS:<br>mm INCH mm INCH  | SHT<br>REVISE ON<br>CAD ONLY | REV       |
|                                  |  |                                  |  |                                  |  |                                  |  |  |  | FINISH<br>仕上げ                 | 10 UNDER<br>未満                                    | ±0.2                         | DRAWN BY & DATE<br><i>J. Nagano</i> 2000/05/12 | TITLE:<br>SD MEMORY CARD CONN. ASS'Y<br>(NORMAL TYPE) |   |                              |           |
|                                  |  |                                  |  |                                  |  |                                  |  |  |  | WIRE RANGE<br>適用電線範囲          | 10 OVER 30 UNDER<br>以上 未満                         | ±0.25                        | CHECKED BY & DATE<br><i>Y.O.</i>               | MOLEX INCORPORATED                                    |   |                              |           |
|                                  |  |                                  |  |                                  |  |                                  |  |  |  | INS. RANGE<br>被覆外径            | 30 OVER<br>以上                                     | ±0.3                         | APPROVED BY & DATE<br><i>H. Hanyu</i>          | MATERIAL NO.<br>SEE SHEET 1 OF 2                      | DRAWING NO.<br>SD-54794-002   | SHEET NO.<br>2               |           |
|                                  |  |                                  |  |                                  |  |                                  |  |  |  |                               |   | CAD FILENAME<br>54794002.S02 |  |   | THIS DRAWING CONTAINS INFORMATION THAT IS PROPRIETARY TO MOLEX<br>INCORPORATED AND SHOULD NOT BE USED WITHOUT WRITTEN PERMISSION. |                              | SIZE<br>B |

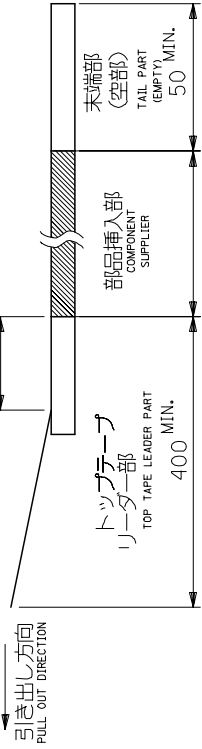
54794002.S02

注) NOTES

1. 製品番号 54794-0911の詳細寸法については、SD図面を参照下さい。  
IN THE PACKAGE - PART NO.54794-0911 DETAILED DIMENSIONS - SEE SALES DRAWING.
2. 梱包数量 : 400 個/リール  
NUMBER OF CONNECTORS : 400 PCS/REEL
3. リードテープ長さ  
LEAD TAPE LENGTH

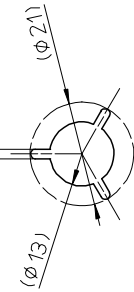


トップテープ接着部  
TOP TAPE BONDED PART  
(空エッジ)  
(EMPTY)



4. トップテープの剥離強度 : (剥離方向は下図参照)  
PEELING OFF FORCE OF TOP TAPE (PEELING DIRECTION AS SHOWN IN FOLLOWING FIG.)  
0. 1 ~ 1. 3 N (10. 2 ~ 130 gf) : キャリアテープ幅 44 mm  
CARRIER TAPE WIDTH 44mm

尚、本規格値は、出荷時に適用。  
THIS REQUIREMENT SHOULD BE APPLIED AT SHIPMENT  
(但し、輸送時に剥離が発生しない事。)  
(PEEL OFF SHOULD NOT BE ALLOWED DURING TRANSPORTATION)



DETAIL A  
SCALE 1:1

5. 材料  
MATERIAL  
キャリアテープ : ポリプロピレン (PP)  
CARRIER TAPE : POLYPROPYLENE (PP)  
トップテープ : PET, PE, PEF  
TOP TAPE : PET, PE, PEF  
リール : 紙/プラスチック  
REEL : CARD BOARD/PLASTIC

引き出し方向  
PULL OUT DIRECTION

剥離方向  
PEEL OFF DIRECTION



|              |                        |
|--------------|------------------------|
| 54794-0918   | 54794-0911             |
| MATERIAL No. | MODEL No.              |
| DESIGN UNITS | THIRD ANGLE PROJECTION |
| METRIC       |                        |

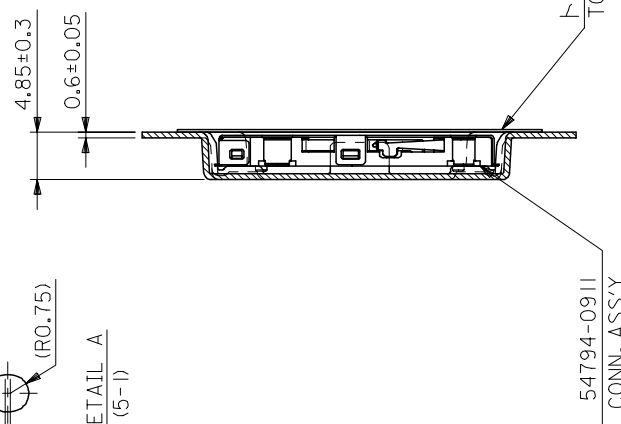
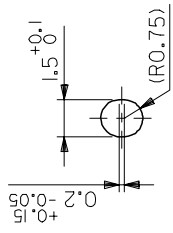
54794-0911  
TAPING PACKAGE

|  |  |              |                           |
|--|--|--------------|---------------------------|
| GENERAL TOLERANCES (UNLESS SPECIFIED)                | DIMENSION STYLE  | SCALE        | TITLE                     |
| 10 UNDER ±0.2  | MM ONLY  | ---          | 54794-0911 TAPING PACKAGE |
| 10 OVER 30 UNDER ±0.25                               | DRAWN BY   | DATE         |                           |
| 30 OVER ±0.3   | JM IYAZAWA   | 00/06/29     |                           |
| ANGULAR ±3 °   | CHECKED BY   | DATE         |                           |
| DRAFT WHERE APPLICABLE MUST REMAIN WITHIN DIMENSIONS | YO ITO   |              |                           |
|  | APPROVED BY  | DATE         |                           |
|  | HIKESUGI   |              |                           |
|  | MATERIAL NO.   | DOCUMENT NO. |                           |
|  | SEE CHART  | SD-54794-007 |                           |
|  | SIZE THIS DRAWING CONTAINS INFORMATION THAT IS PROPRIETARY TO MOLEX INCORPORATED AND SHOULD NOT BE USED WITHOUT WRITTEN PERMISSION |              |                           |
|  | A3   |              |                           |

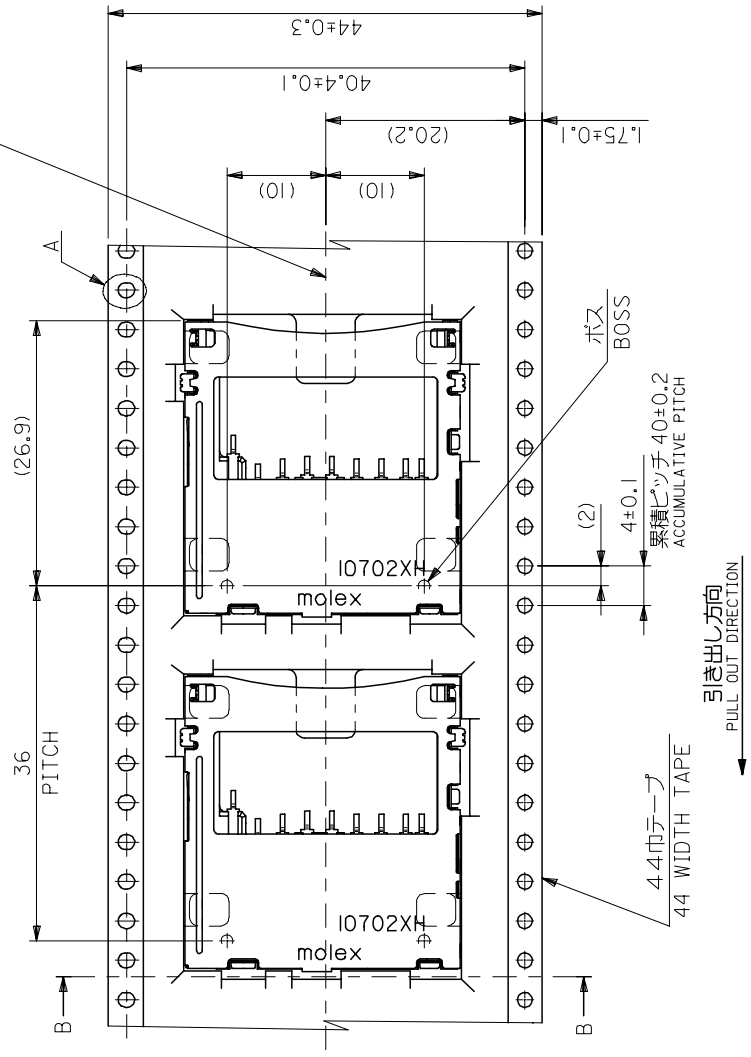
|                 |                   |
|-----------------|-------------------|
| REVISED         | EC NO: J2005-0694 |
| DRW:K:SETO      | 2004/09/17        |
| CHKD:JM IYAZAWA | 2004/09/17        |
| APP:JM IYAZAWA  | 2004/09/29        |
| DESCRIPTION     |                   |

SHEET NO.  
1 OF 2

MOLEX INCORPORATED



ボス間センター (カードセンター)  
CENTER BETWEEN BOSSES  
(CARD CENTER)



SECTION B-B

|                   |             |
|-------------------|-------------|
| REVISED           | REVISED     |
| EC NO: J2005-0694 | DRW/NK/SETO |
| 2004/09/17        | 2004/09/17  |
| CHKD: JM1 YAZAWA  | 2004/09/17  |
| APPR: JM1 YAZAWA  | 2004/09/29  |
| DESCRIPTION       |             |

|  |          |
|--|----------|
| GENERAL TOLERANCES<br>(UNLESS SPECIFIED)                   |          |
| 10 UNDER   | ± 0.2    |
| 10 OVER  | 30 UNDER |
| 30 OVER  | ± 0.25   |
| ANGULAR  | ± 0.3    |
| DRAFT WHERE APPLICABLE<br>MUST REMAIN<br>WITHIN DIMENSIONS |          |

|                            |                  |
|----------------------------|------------------|
| DIMENSION STYLE<br>MM ONLY |                  |
| DRAWN BY<br>JM1 YAZAWA     | DATE<br>00/06/29 |
| CHECKED BY<br>YO ITO       | DATE             |
| APPROVED BY<br>HIKESUGI    | DATE             |
| MATERIAL NO.<br>SEE CHART  |                  |

|  |                        |                           |
|--|------------------------|---------------------------|
| SCALE<br>---   | DESIGN UNITS<br>METRIC | THIRD ANGLE<br>PROJECTION |
| TITLE<br>54794-0911<br>TAPING PACKAGE  |                        |                           |
| MOLEX INCORPORATED   |                        |                           |
| DOCUMENT NO.<br>SD-54794-007   | SHEET NO.<br>2 OF 2    |                           |
| SIZE THIS DRAWING CONTAINS INFORMATION THAT IS PROPRIETARY TO MOLEX<br>A3 INCORPORATED AND SHOULD NOT BE USED WITHOUT WRITTEN PERMISSION |                        |                           |