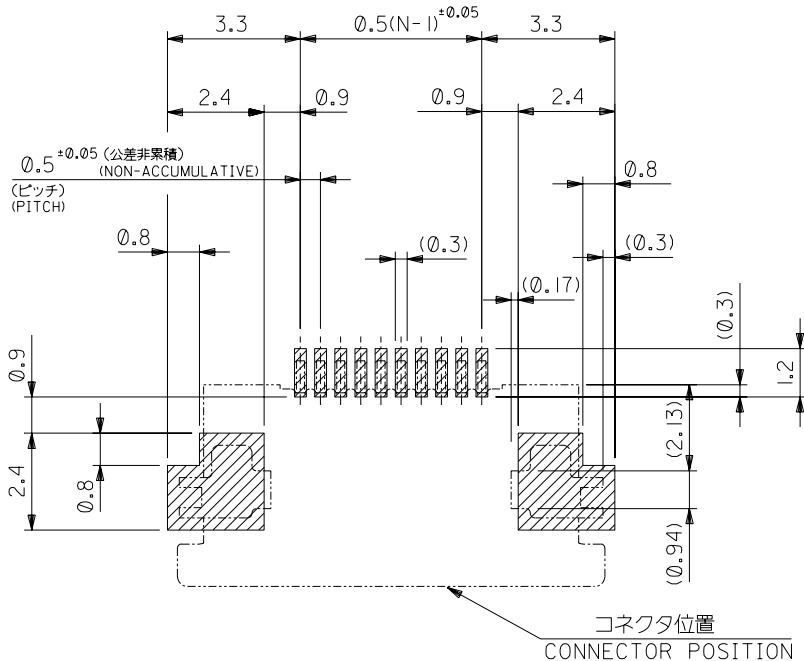
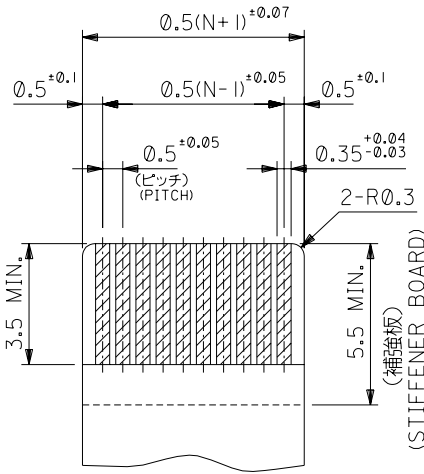


EC NO. DRWN: CHK: APPR:	EC NO. DRWN: CHK: APPR:	EC NO. DRWN: CHK: APPR:	REVISED EC NO. J2004-2362 DRWN: H.SHIMABUKURO #07/08 CHK: K. TOJO #07/08 APPR: M.SASAO #07/08 RELEASED	REVISED EC NO. J2004-1538 DRWN: M.NABEI #07/05 CHK: M.SASAO #07/05 APPR: M.SASAO #07/05	MATERIAL 材料 SHEET 2 OF 2 参照 SEE SHEET 2 OF 2	GENERAL TOLERANCES: (UNLESS SPECIFIED) 一般公差	SCALE //	DESIGN UNITS <input checked="" type="checkbox"/> mm <input type="checkbox"/> INCH	MODEL NO. 54132-***39	DIMENSIONS: <input type="checkbox"/> mm <input type="checkbox"/> INCH <input checked="" type="checkbox"/> mm ONLY	SHT 50	REV 50
EC NO. DRWN: CHK: APPR:	EC NO. DRWN: CHK: APPR:	EC NO. DRWN: CHK: APPR:	A	0	FINISH 仕上げ //	10 UNDER 未満	±0.2	DRAWN BY & DATE M.NABEI #03/12/15	TITLE: 0.5 FPC CONN. ZIF HOUSING ASS'Y FOR SMT. (R/A) BOTTOM CONTACT -LEAD FREE-	<input type="checkbox"/> mm <input type="checkbox"/> INCH <input checked="" type="checkbox"/> mm ONLY		
EC NO. DRWN: CHK: APPR:	EC NO. DRWN: CHK: APPR:	EC NO. DRWN: CHK: APPR:			WIRE RANGE 適用線径範囲 //	10 OVER 30 UNDER 以上 未満	±0.25	CHECKED BY & DATE M.SASAO #03/12/15	MOLEX MOLEX INCORPORATED	<input type="checkbox"/> mm <input type="checkbox"/> INCH <input checked="" type="checkbox"/> mm ONLY		
EC NO. DRWN: CHK: APPR:	EC NO. DRWN: CHK: APPR:	EC NO. DRWN: CHK: APPR:			INS. RANGE 被覆外径 //	30 OVER 以上	±0.3	APPROVED BY & DATE M.SASAO #03/12/15	MATERIAL NO. SEE CHART	<input type="checkbox"/> mm <input type="checkbox"/> INCH <input checked="" type="checkbox"/> mm ONLY		
EC NO. DRWN: CHK: APPR:	EC NO. DRWN: CHK: APPR:	EC NO. DRWN: CHK: APPR:			ANGLE 角度		±3°	CAD FILENAME SD-54132-060.S01	DRAWING NO. SD-54132-060	<input type="checkbox"/> mm <input type="checkbox"/> INCH <input checked="" type="checkbox"/> mm ONLY		
THIS DRAWING CONTAINS INFORMATION THAT IS PROPRIETARY TO MOLEX INCORPORATED AND SHOULD NOT BE USED WITHOUT WRITTEN PERMISSION.											SIZE B	EN-02J(097) MXJ-54

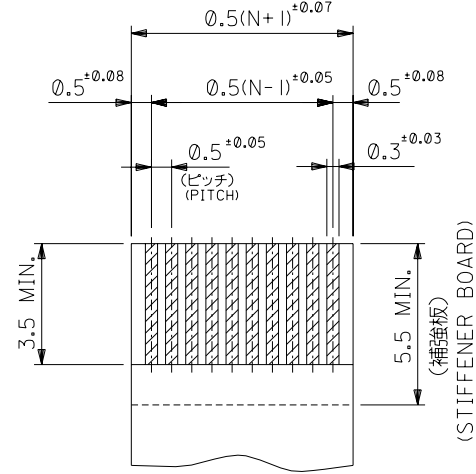
DWG. NO. SD-54132-060



参考基板レイアウト  
RECOMMENDED PC BOARD PATTERN DIMENSION (REF.)  
(マウント面)  
(MOUNTING SIDE)



適合FPC推奨寸法  
APPLICABLE FPC RECOMMENDED DIMENSION  
(仕上がり厚さ: 0.3 ± 0.03)  
(THICKNESS: 0.3 ± 0.03)



適合FFC推奨寸法  
APPLICABLE FFC RECOMMENDED DIMENSION  
(仕上がり厚さ: 0.3 ± 0.03)  
(THICKNESS: 0.3 ± 0.03)

注記  
NOTES

1. 使用材料 MATERIAL : 46ナイロン, UL94V-0  
ハウジング HOUSING : 46NYLON  
アクチュエーター ACTUATOR : PPS, UL94V-0  
ターミナル TERMINAL : リン青銅 (t=0.2)、銅・ビスマズメッキ 1.0~3.0 MICRO METER MIN.  
ニッケル下地 1.0~3.0 MICRO METER MIN.  
金具 FITTING NAIL : リン青銅 (t=0.2)、銅メッキ 1.0~3.0 MICRO METER MIN.  
ニッケル下地 1.0~3.0 MICRO METER MIN.  
FITTING NAIL : PHOS-BRO.TIN-PLATE 1.0~3.0MICRO METER MIN.  
OVER NICKEL 1.0~3.0 MICRO METER MIN.

2. エンボステープ梱包時は、アクチュエーターがロックした状態とする。  
IN THE PACKAGE,ACTUATOR OF PART NO.54132-\*\*\*31 SHOULD BE LOCKED.
3. ソルダーテール半田付け面のズレ量、及び金具半田付け面のズレ量は、基準面 [H] に対し上方向0.1MAX. 下方向0.15MAX. とする。  
MISALIGNMENT OF SOLDER TAILS AND FITTING NAIL FROM [H] UPPER DIRECTION:0.1MAX.,LOWER DIRECTION:0.15MAX.
4. 偶数極に適用  
APPLY FOR EVEN CIRCUIT.
5. パターンはくり止め用金具  
FITTING NAIL FOR PREVENTION OF PEELING OF P.C.B. PATTERN.
6. 本製品は54132-\*\*\*31の鉛フリー品である。  
THIS PRODUCT IS LEAD FREE OF 54132-\*\*\*31

FPC/FFCについて  
打抜き方向は導体側から補強板側を推奨いたします。  
導体部については軟銅箔35マイクロメートルまたは50マイクロメートル  
RECOMMENDED PUNCHER DIRECTION:  
FROM CONDUCTOR SIDE TO STIFFENER BOARD SIDE.  
RECOMMENDED CONDUCTOR SPEC.:  
THICKNESS OF SOFT COPPER FOIL:  
35 micrometer or 50 micrometer

DO NOT SCALE DRAWING

EC NO. DRWN: CHK: APPR:	EC NO. DRWN: CHK: APPR:	EC NO. DRWN: CHK: APPR:	REVISED EC NO. J2004-2362 DRWN: H.SHIMABUKURO 07/07/08 CHK: K. TOJO 07/07/08 APPR: M.SASAO 07/07/08 RELEASED EC NO. J2004-1538 DRWN: M.NABEI 07/07/06 CHK: M.SASAO 07/07/06 APPR: M.SASAO 07/07/06	MATERIAL 材料 注記参照 SEE NOTES	GENERAL TOLERANCES: (UNLESS SPECIFIED) 一般公差	SCALE ---	DESIGN UNITS <input checked="" type="checkbox"/> mm <input type="checkbox"/> INCH	THIRD ANGLE PROJECTION <input checked="" type="checkbox"/> THIRD ANGLE <input type="checkbox"/> FIRST ANGLE	TITLE: 0.5 FPC CONN. ZIF HOUSING ASS'Y FOR SMT. (R/A) BOTTOM CONTACT -LEAD FREE-	MATERIAL NO. DRAWING NO. SD-54132-060.S02 SEE CHART	SHEET NO. 2 OF 2
FINISH 仕上げ //	WIRE RANGE 適用電線範囲 //	INS. RANGE 被覆外径 //	ANGLE 角度 ±3°	THIS DRAWING CONTAINS INFORMATION THAT IS PROPRIETARY TO MOLEX INCORPORATED AND SHOULD NOT BE USED WITHOUT WRITTEN PERMISSION.		SIZE B					

54132-***39	MODEL NO.
DIMENSIONS:	SHT REV
<input type="checkbox"/> mm <input type="checkbox"/> INCH	<input checked="" type="checkbox"/> mm ONLY
REVISE ON CAD ONLY	

SD-54132-060.39(2)



