

DWG. NO. SD-53324-002

F

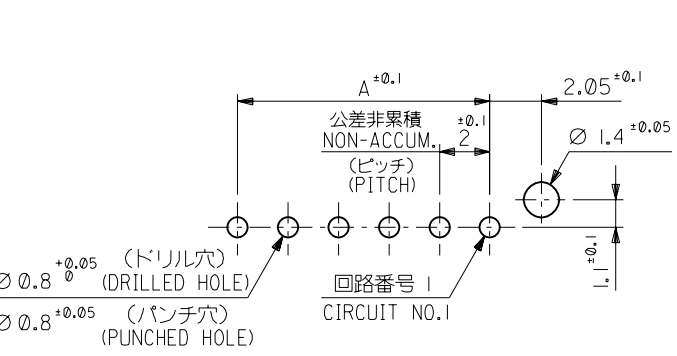
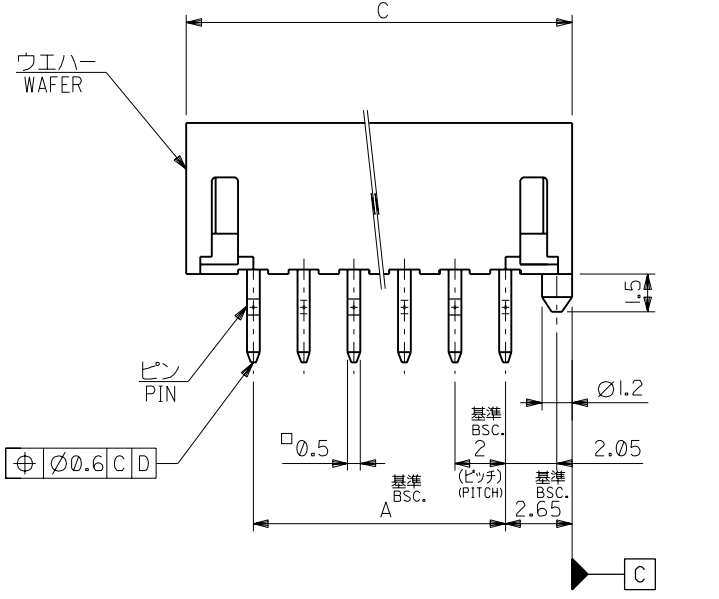
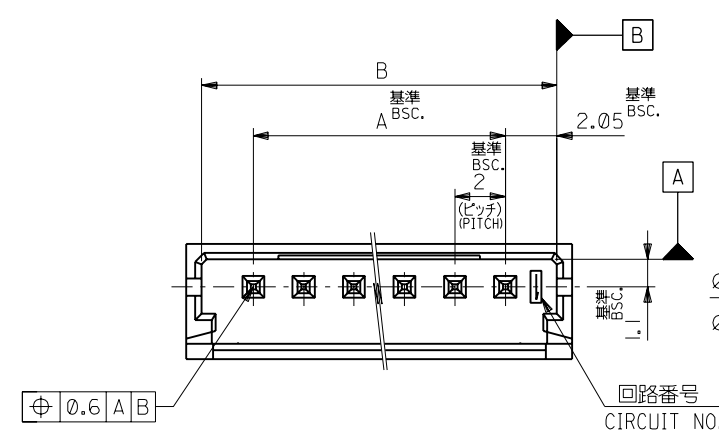
D

V

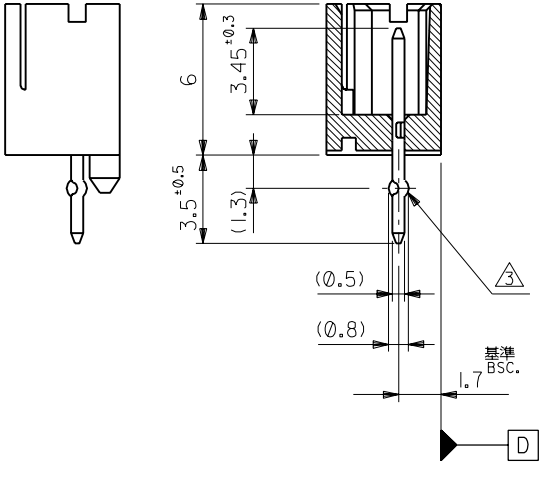
C

B

DO NOT SCALE DRAWING



基板取付穴推奨寸法 (t=1.6)  
RECOMMENDED P.C. BOARD HOLE DIM. (t=1.6)



注記 NOTES

1. 嵌合相手: 51090-\*\*\*00, 52484-\*\*\*1\*  
MATES WITH
  2. 材質 MATERIAL  
ウエハー: PBT (ガラス15%入り)  
UL94V-0  
WAFER: PBT (G.F. 15%), UL94V-0  
ピン: 黄銅, スズメッキ  
PIN: BRASS, PRE-TINNED
- △ キングは全ピンに交互に付加。2極はキング無し。  
SET KINK ALTERNATELY TO ALL CIRCUITS.  
CIRCUIT 2 HAS NO KINK.

△ 製品番号  
ENG. NO.  
53324-\*\*\*1\*

ナチュラル (白) NATURAL (WHITE)	0
赤 RED	2
黄 YELLOW	3
青 BLUE	4

33.3	32.1	28	53324-151*	15
31.3	30.1	26	-14*	14
29.3	28.1	24	-13*	13
27.3	26.1	22	-12*	12
25.3	24.1	20	-11*	11
23.3	22.1	18	-10*	10
21.3	20.1	16	-09*	9
19.3	18.1	14	-08*	8
17.3	16.1	12	-07*	7
15.3	14.1	10	-06*	6
13.3	12.1	8	-05*	5
11.3	10.1	6	-04*	4
9.3	8.1	4	-03*	3
7.3	6.1	2	53324-021*	2
C	B	A	△ 4. ENG. NO.	極数 CKT.

064 NO. DRWN: CH'K: APPR:	063 NO. DRWN: CH'K: APPR:	062 NO. DRWN: CH'K: APPR:	061 NO. DRWN: CH'K: APPR:	060 NO. J2002-1610 DRWN: K.SAKAMOTO 02/01/15 CH'K: J.MIYAZAWA 02/01/15 APPR: Y.O.ITO 02/01/15	DESCRIPTION RELEASED	MATERIAL 材料	FINISH 仕上げ	WIRE RANGE 適用電線範囲	INS. RANGE 被覆外径
						注記参照 SEE NOTES	#	#	#

GENERAL TOLERANCES: (UNLESS SPECIFIED) 一般公差	SCALE 5-1	DESIGN UNITS mm INCH	2ND ANGLE PROJECTION	DIMENSIONS: <input type="checkbox"/> mm <input type="checkbox"/> INCH <input checked="" type="checkbox"/> mm ONLY	SHT REV
10 UNDER 未満	±0.2	DRAWN BY & DATE K. Sakamoto '02/01/15	TITLE: 2.0 WIRE TO BOARD CONN. WAFER ASS'Y (ST.)		
10 OVER 30 UNDER 未満	±0.25	CHECKED BY & DATE Y. Mizuno '02/01/15	MOLEX MOLEX INCORPORATED		
30 OVER 以上	±0.3	APPROVED BY & DATE Y. Ito '02/01/15	CAD FILENAME 53324002.S01	MATERIAL NO. SEE CHART	DRAWING NO. SD-53324-002
ANGLE 角度	±3°				SHEET NO. 1 OF 1

THIS DRAWING CONTAINS INFORMATION THAT IS PROPRIETARY TO MOLEX INCORPORATED AND SHOULD NOT BE USED WITHOUT WRITTEN PERMISSION.

SIZE B

A 53324002.S01