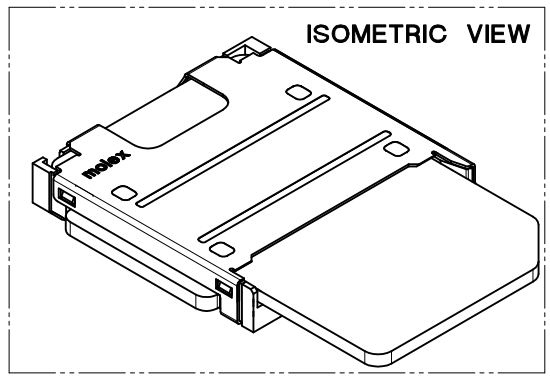


**NOTES**

1. MATERIALS: SEE TABLE 2
2. FINISHES: SEE TABLE 2
3. PRODUCT SPECIFICATION : PS-49448-001
4. COPLANARITY OF SOLDER TAILS : 0.1mm MAX.  
MISALIGNMENT OF SOLDER TAIL FROM "Z"  
UPPER DIRECTION 0.05 MAX., LOWER DIRECTION 0.1MAX.
5. PACKAGING SPECIFICATION : PK-49448-001



\* TABLE 1

494481611		49448-1611									
MATERIAL NO.		ORDER NO.									
REVISED EC NO: KOR2010-0043 DRWN: SUNGHYUK.00 2009/12/24 CHKD: YSOOKIM APPR: YUNSIKKIM	DESCRIPTION	QUALITY SYMBOLS		GENERAL TOLERANCES (UNLESS SPECIFIED)		DIMENSION STYLE		SCALE	DESIGN UNITS	THIRD ANGLE PROJECTION	
		$\nabla = 0$ $\square = 0$		mm INCH		MM ONLY		5:1	METRIC		
		4 PLACES ± --- ± ---		DRAWN BY S.H.CHU		DATE 2008/10/20		TITLE		M-SD/SIM COMBO SOCKET FOR 8P/8P	
		3 PLACES ± --- ± ---		CHECKED BY S.J.SEH		DATE 2008/10/20		MOLEX INCORPORATED			
		2 PLACES ± 0.1 ± ---		APPROVED BY E.H.JUNG		DATE 2008/10/20		DOCUMENT NO.		SD-49448-001	
1 PLACE ± 0.15 ± ---		MATERIAL NO.		SEE TABLE		SHEET NO.		1 OF 3			
ANGULAR ± 1°		DRAFT WHERE APPLICABLE MUST REMAIN WITHIN DIMENSIONS		SIZE A3		THIS DRAWING CONTAINS INFORMATION THAT IS PROPRIETARY TO MOLEX INCORPORATED AND SHOULD NOT BE USED WITHOUT WRITTEN PERMISSION					

\* TABLE 1 : PARTS-LIST

NO.	DESCRIPTION	ENGINEERING NO.	MATERIALS	FINISHES
1	mSD-CONTACT TERMINAL	49932-8031	PHOS.-BRONZE	Selective-Au over Ni
2	S-CONTACT TERMINAL	49814-8031	BECU-7ALLOY	Selective-Au over Ni
3	mSD-METAL SHELL	49933-5003	STAINLESS STEEL	Ni OVERALL
4	S-METAL SHELL	49934-5003	STAINLESS STEEL	Ni OVERALL
5	HOUSING	49448-1691	LIQUID CRYSTAL POLYMER	UL94V-0
6	HEART CAM	49363-0001	LIQUID CRYSTAL POLYMER	UL94V-0
7	SWITCH TERMINAL 1	49820-8031	PHOS.-BRONZE	Selective-Au over Ni
8	SWITCH TERMINAL 2	49821-8031	PHOS.-BRONZE	Selective-Au over Ni
9	FITTING NAIL	49819-8003	PHOS.-BRONZE	PURE-Sn over Ni
10	PIN ROD	49225-9002	STAINLESS STEEL	
11	SPRING	49362-9001	STAINLESS STEEL	

\* TABLE 2 : REFERENCE

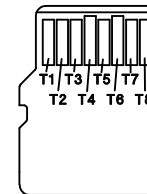
[ SIM CARD-8P PIN-MAP ]

PIN NUMBER	DESCRIPTION
S1	Vcc(Voltage)
S2	Vcc(Reset)
S3	CLK
S4	Reserved
S5	GND
S6	Vpp
S7	I/O
S8	Reserved

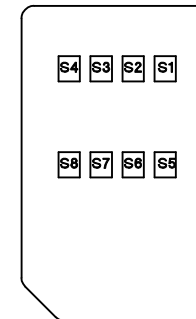
[ microSD CARD PIN-MAP ]

PIN NUMBER	DESCRIPTION
T1	DAT2
T2	CD/DAT3 <sup>2</sup>
T3	CMD
T4	VDD
T5	CLK
T6	VSS <sup>2</sup>
T7	DAT0
T8	DAT1

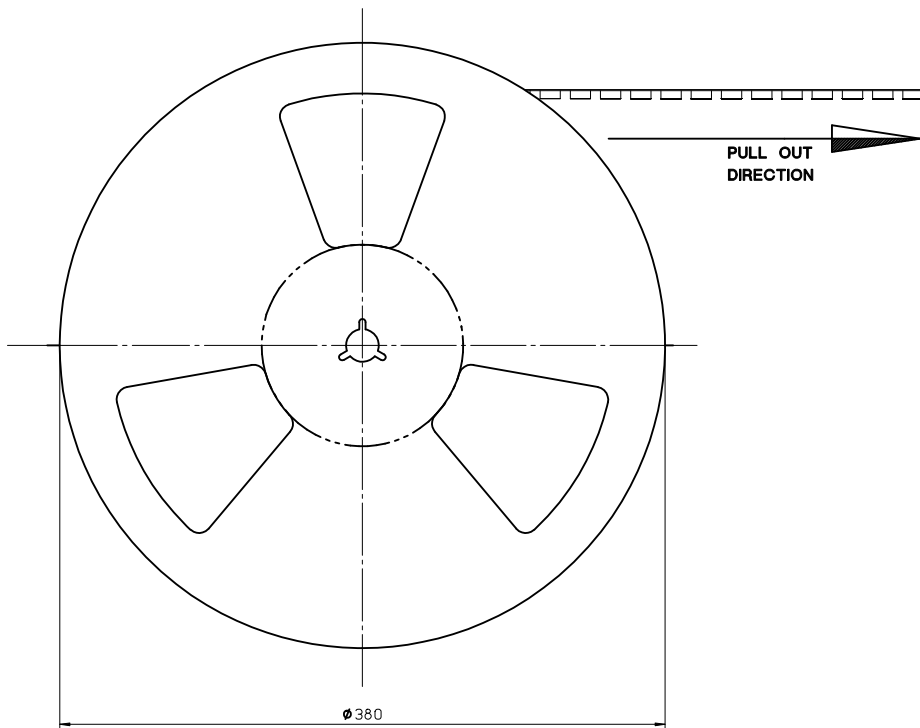
microSD CARD



SIM CARD-8P

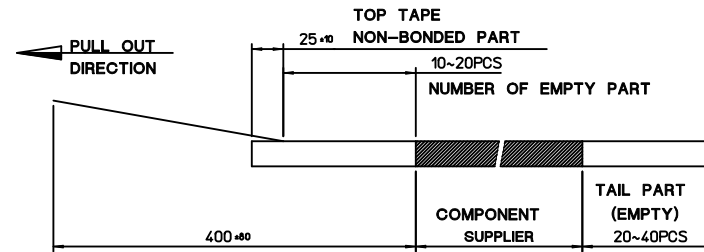


REVISED EC NO: KOR2010-0043 DRWN: SUNGHYUK.00 2009/12/24 CHKD: YSOOKIM APPR: YUNSIKKIM	QUALITY SYMBOLS	GENERAL TOLERANCES (UNLESS SPECIFIED)	DIMENSION STYLE	SCALE	DESIGN UNITS	THIRD ANGLE PROJECTION	
	▼=0 □=0	mm    INCH 4 PLACES ± --- ± --- 3 PLACES ± --- ± --- 2 PLACES ± 0.1 ± --- 1 PLACE ± 0.15 ± --- ANGULAR ± 1°	MM ONLY	5:1	METRIC		
	REV	DRAFT WHERE APPLICABLE MUST REMAIN WITHIN DIMENSIONS	DRAWN BY DATE S. H. CHU 2008/10/20 CHECKED BY DATE S. J. SEH 2008/10/20 APPROVED BY DATE E. H. JUNG 2008/10/20 MATERIAL NO.	TITLE	M-SD/SIM COMBO SOCKET FOR 8P/8P		
	B	SEE TABLE	E. H. JUNG 2008/10/20 MATERIAL NO.	MOLEX INCORPORATED DOCUMENT NO. SD-49448-001		SHEET NO. 2 OF 3	

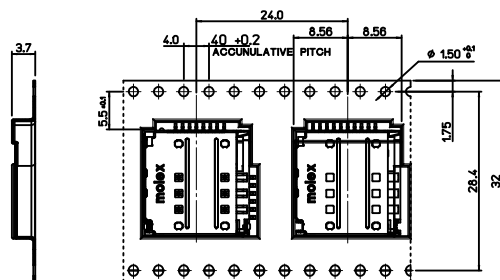
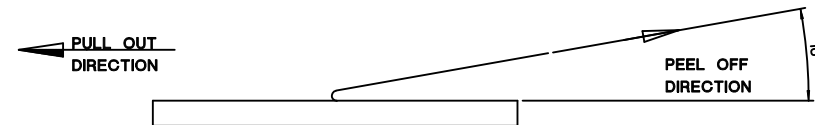


**NOTES**

- 1. QUANTITY OF CONNECTORS : 1,000PCS/REEL
- 2. LEAD LENGTH



- 3. PEELING OFF FORCE OF COVER TAPE : 0.1N~0.59N(10.2GF~60GF)  
(PEELING DIRECTION AS SHOW IN FOLLOW FIG.)
- PEELING OFF SPEED : 300mm/MIn.(Ref.)



PULL OUT DIRECTION

35902-0011	35908-1003	49362-9901	49448-1611	494481611	49448-1611	8P/8P
COVER TAPE	REEL	EMBOSSSED TAPE	CONNECTOR	MATERIAL NO.	ENG. NO.	CKTS

REVISED EC NO: KOR2010-0043 DRWN:YSOOKIM 2009/12/24 CHKD:YSOOKIM APPR:YUNSIKKIM	DESCRIPTION REV	QUALITY SYMBOLS	GENERAL TOLERANCES (UNLESS SPECIFIED)	DIMENSION STYLE	SCALE	DESIGN UNITS	THIRD ANGLE PROJECTION		
		▽=0 ◻=0	mm    INCH 4 PLACES ± --- ± --- 3 PLACES ± --- ± --- 2 PLACES ± 0.1 ± --- 1 PLACE ± 0.15 ± --- ANGULAR ± 1 °	MM ONLY	5:1	METRIC	DRAWN BY: S.H.CHU    DATE: 2008/10/20 CHECKED BY:            DATE: S. J. SEH                 2008/10/20 APPROVED BY:            DATE: E.H. JUNG                 2008/10/20		
		DRAFT WHERE APPLICABLE MUST REMAIN WITHIN DIMENSIONS		SEE TABLE	M-SD/SIM COMBO SOCKET FOR 8P/8P		MOLEX INCORPORATED		SHEET NO. 3 OF 3
				SIZE A3	THIS DRAWING CONTAINS INFORMATION THAT IS PROPRIETARY TO MOLEX INCORPORATED AND SHOULD NOT BE USED WITHOUT WRITTEN PERMISSION		DOCUMENT NO. SD-49448-001		