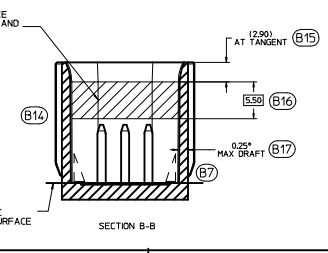
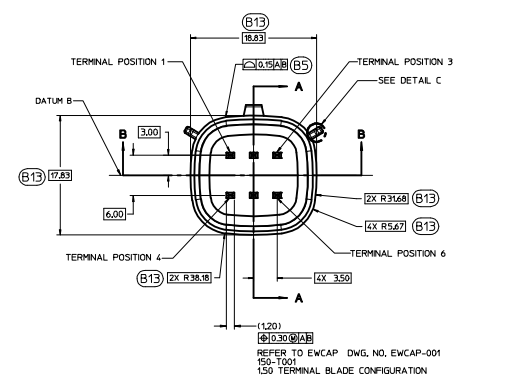
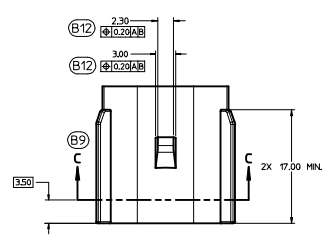
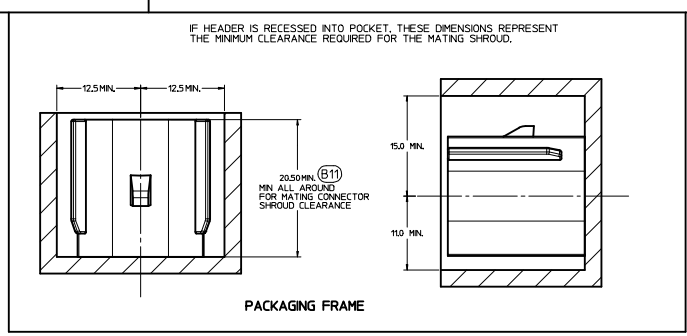


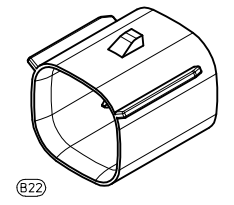
150-S-006-2-002	D	BLACK
150-S-006-2-002	C	DK GRAY
150-S-006-2-802	B	LT GRAY
150-S-006-2-A02	A	BLACK
EWCAP PIN		
	OPTION	MATING CONNECTOR COLOR



IF HEADER IS RECESSED INTO POCKET, THESE DIMENSIONS REPRESENT THE MINIMUM CLEARANCE REQUIRED FOR THE MATING SHROUD.

NOTICE  
THIS DRAWING OR PORTIONS OF IT, ARE CONTROLLED BY THE ELECTRICAL WIRING COMPONENTS APPLICATION PARTNERSHIP (EWCAP), A SUBGROUP OF THE UNITED STATES CONSORTIUM FOR AUTOMOTIVE RESEARCH LLC (USCAR), USCAR IS A PARTNERSHIP BETWEEN CHRYSLER GROUP LLC, FORD MOTOR COMPANY, AND GENERAL MOTORS CORPORATION ANY CHANGE TO A EWCAP CONTROLLED PORTION OF THIS DRAWING, INCLUDING A "RECORD CHANGE" MUST BE APPROVED, IN WRITING, BY THE RESPONSIBLE EWCAP MEMBER FROM EACH USCAR COMPANY. EACH EWCAP MEMBER AUTHORIZED TO SIGN FOR HIS OR HER COMPANY IS RESPONSIBLE FOR OBTAINING ALL NECESSARY APPROVALS WITHIN THAT COMPANY PRIOR TO SIGNING FOR APPROVAL OF THE CHANGE. EWCAP EXPRESSLY PROHIBITS ANY PARTY FROM CHANGING EITHER ANY EWCAP CONTROLLED PORTION OF THIS DRAWING OR ANY ASSOCIATED TOOLING BEFORE RECEIVING AN APPROVAL SIGNED BY AN AUTHORIZED REPRESENTATIVE FROM EACH EWCAP PARTNER. REFERENCE TO THE SIGNED APPROVAL FORM MUST BE ENTERED IN THIS DRAWING'S CONTROL COLUMN.

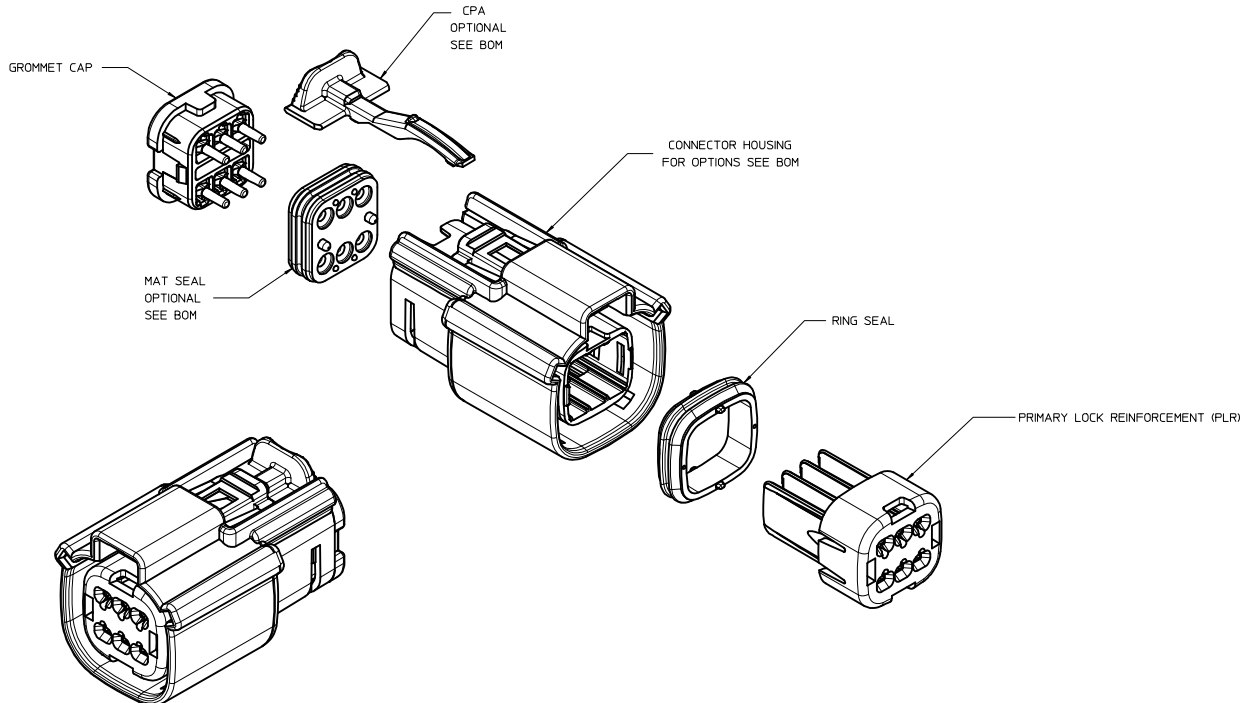
- NOTES: UNLESS OTHERWISE SPECIFIED
- ALL DIMENSIONS SHOWN IN MILLIMETERS.
  - DIMENSIONING AND TOLERANCING PER ASME Y14.5M-1994
  - 0.25 RADI ON ALL CORNERS SHOWN SHARP.
  - UNSPECIFIED RADI: 0.25 EXCEPT AS NOTED.
  - STANDARD COLORS FOR POLARIZATION (SEE CHART). DEVIATION REQUIRES APPROVAL OF AUTHORIZED PERSON.
  - REFER TO "SAE/USCAR 12 CONNECTOR GUIDELINES" FOR ADDITIONAL REQUIREMENTS.
  - EXCEPT WHERE NOTED, DRAFT ON OUTSIDE SURFACES IS PERMISSIBLE WITHIN TOLERANCE.
  - SYMBOL INDICATES DRAFT DIRECTION.
  - FOR TERMINAL MATERIAL, DIMENSIONAL, AND COATING REQUIREMENTS AND ANY BLADE TERMINAL DESIGN INFORMATION NOT SHOWN ON THIS DRAWING SEE EWCAP DRW. NO. EWCAP-001
  - A FULL SHROUD ON THE MATING CONNECTOR IS REQUIRED TO INSURE THAT THE CONNECTOR-HEADER POLARIZATION FEATURES (OPTIONS A THRU D) WILL FUNCTION. THE FULL SHROUD ALSO PREVENTS SCOP DAMAGE TO THE HEADER PINS. REFER TO "SAE/USCAR-12 CONNECTOR DESIGN GUIDE LINES" FOR ADDITIONAL INFORMATION.
  - REFER TO USCAR/EWCAP PART LIST AS FOUND ON WEBSITE [HTTP://WWW.USCAR.ORG](http://www.uscar.org)
  - THIS IS A 100% CAD GENERATED PART. THE CAD MATHEMATICAL DATA IS THE MASTER FOR THIS PART. FOR DIMENSIONAL OR ANY INFORMATION NOT SHOWN ON THIS DRAWING, ANALYZE THE CAD MODEL.



CHANGE NUMBER	DATE	BY	CHK	DESCRIPTION
095	B22			CHANGED ISO VIEW SCALE TO 4:1 WAS 5:1
095	B21			ADDED PARTING LINE NOTE TO DETAIL A, REMOVED NOTE BICK ANGLE OPTIONAL FROM 5°
095	B20			CORRECTED CHRYSLER GROUP LLC NOMENCLATURE
095	B19			MOVED NOTE TO SECTION B-B
095	B18			UPDATED NOTES
095	B17			ADDED 0.25° MAX DRAFT ANGLE ALL AROUND
095	B16			ADDED 150
095	B15			ADDED AT TANGENT NOTE
095	B14			REMOVED DATUM D
095	B13			ADDED BASIC DIMENSIONS FOR PROFILE CONTROL
095	B12			ADDED 10.50
095	B11			DIMENSIONED TO DATUM A
095	B10			SEALING SURFACE DIMENSIONS MOVED TO SECTION C-C
095	B9			ADDED SECTION C-C
095	B8			REMOVED 15.20 AND 2.50 FROM SECTION A-A
095	B7			ADDED DRAFT ANGLE DIRECTION
095	B6			REMOVED 0.80 ±0.10/-0.20 ALL AROUND
095	B5			REMOVED WALL THICKNESS CONTROL WITH PROFILE OF A SURFACE
095	B4			ADDED R6.47
095	B3			ADDED 0.70 ±0.15 ALL AROUND
095	B2			UPDATED CONNECTOR COLORS
095	B1			SURFACE OF RELOCATED TO 150 WAS AT 8.20
	A	RELEASED		
LET				REVISION RECORD
DATE	DWN	CHK		
10-31-02				
TOLERANCES UNLESS OTHERWISE SPECIFIED				THIRD ANGLE PREDOMINANT
DIMENSIONS ARE IN MILLIMETERS				
ANGLES ±3°				
± 10.2	± 3.0	± 0.10		
<b>EWCAP</b>				
SCALE 4:1	DRAWN BY K LUNNINGHAM	CHECKED V VANSLAMBROUCK	DATE 03-26-12	
TITLE	DIRECT CONNECT INTERFACE			
	6 WAY 12 X 3J 4.5 MM SEALED MALE			
DRAWN DATE	DATE	APP. DATE	REVISION LEVEL	
150-S-006-2-2-002			B	
MOLLEX				

CONSTRUCTION BELOW THIS SURFACE IS NOT CONTROLLED BY EWCAP. NO PLASTIC FEATURES MAY EXTEND ABOVE THIS SURFACE

TABLE OF CONTENTS	
SHEET NO.	SHEET DESCRIPTION
1	NOTES
2	KEY CONFIGURATIONS
3	RECEPTACLE SEALED ASSEMBLY
4	BACKSHELL NOTES
5	BACKSHELL
6	BACKSHELL CONFIGURATIONS
7-8	BOM



NOTES: VALID UNLESS OTHERWISE SPECIFIED

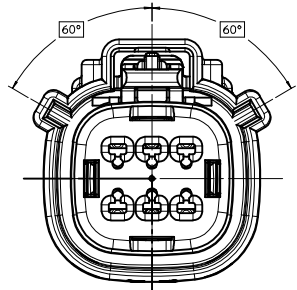
1. GENERAL:
- a. APPLICATION SPECIFICATION SEE: AS-33472-100  
 CONTAINS: PRODUCT INTRODUCTION, PRODUCT SUMMARY, CONNECTOR ASSEMBLY, PACKAGING INFORMATION, CONNECTOR MATING, SERVICE INSTRUCTIONS, ELECTRICAL CONTINUITY CHECKING CRITERIA, AND TROUBLESHOOTING  
 -DESIGNED TO MATE WITH DEVICE CONNECTION AS SPECIFIED IN DRAWING EWCAP 150-S-006-2-202, AVAILABLE AT <http://ewcap.uscarteams.org/>  
 -DESIGNED TO MATE WITH BLADE SEALED ASSEMBLY AS SPECIFIED IN DRAWING SD-33472-061  
 -FOR 15mm RECEPTACLE TERMINALS TO BE USED WITH THIS ASSEMBLY SEE MOLEX DRAWING SD-33012-002  
 - SYSTEM TO BE USED WITH WIRE WITHIN DIAMETER RANGE OF 1.2mm TO 2.69mm.  
 -ASSEMBLY SHIPPED WITH PLR AND CPA IN PRE-LOCK POSITION (SEE SECTION Z-Z PRE-LOCK)  
 -IN THE EVENT THAT THE PLR IS FOUND IN THE SEATED (FINAL LOCK) POSITION, REFER TO MOLEX SPECIFICATION PS-34646-001, AVAILABLE AT www.molex.com <http://www.molex.com>  
 -ASSEMBLY CONFORMS TO SAE/USCAR-2 REV.4 WITH THE FOLLOWING EXCEPTIONS:  
 ENGAGEMENT FORCE TO MOVE CPA FROM PRE-LOCK TO FINAL LOCK POSITION WHEN UNMATED: 40N MIN.  
 DISENGAGEMENT FORCE TO MOVE CPA FROM FINAL LOCK TO PRE-LOCK POSITION: 3N MIN, 40N MAX  
 TERMINAL INSERTION FORCE FOR WIRE DIAMETER ABOVE 2.5mm NOT EXCEEDING 2.69mm SHALL NOT EXCEED 40 NEWTONS.  
 PLR REMOVAL FROM FINAL LOCK TO PRE-LOCK POSITION SHALL NOT EXCEED 130 NEWTONS.
- b. PRODUCT SPECIFICATION SEE: PS-33472-000  
 CONTAINS: PRODUCT INTRODUCTION, PRODUCT SUMMARY, RATINGS (CURRENT, TEMPERATURE, SEALING, AND FLAMMABILITY), AND PRODUCT VALIDATION.
- c. PACKAGING SPECIFICATION PER MOLEX DRAWING PK-31300-993
- d. PARTS MUST BE IN COMPLIANCE TO MOLEX CHEMICAL SUBSTANCES FOR PRODUCTS AND PACKAGING SPECIFICATION ES-40000-5016
- e. DATA MUST BE SUBMITTED UNDER THE MOLEX PART NUMBER TO IMDS (COMPANY ID:1525)
- f. FOR INFORMATION ON 2X3 RECEPTACLE SEALED ASSEMBLY WITH CLIPSLOT SEE SD-33472-071
2. DESIGN - MATERIALS:  
 a. SEE BOM TABLE.
3. DESIGN - GEOMETRY:  
 a. THIS IS A 100% CAD GENERATED PART. THE CAD MATHEMATICAL DATA IS THE MASTER FOR THIS PART. FOR DIMENSIONAL OR ANY INFORMATION NOT SHOWN ON THIS DRAWING, ANALYZE THE CAD MODEL.  
 b. GEOMETRIC DIMENSIONS AND TOLERANCES PER ASME Y14.5M - 1994  
 c. EDGES AND UNDIMENSIONED DETAILS PER ISO137B  
 d. CORNERS SHOWN AS SHARP TO BE R 0.2 MAX.  
 e. LETTERING SHALL BE 0.15 MAX RAISED IN 0.25 MAX RECESS PAD.  
 THIS INCLUDES RECYCLING CODE, CAVITY ID, VENDOR IDENTIFICATION, AND CUSTOMER MATERIAL NUMBER.  
 f. VISUAL DEFECTS SHALL MEET COSMETIC STANDARD PS-45499-002 (Class B)  
 g. LASER MARKING: TBD

INSPECTION NUMBER LOG  
 LAST NUMBER USED:  
 ADDED:  
 REMOVED:

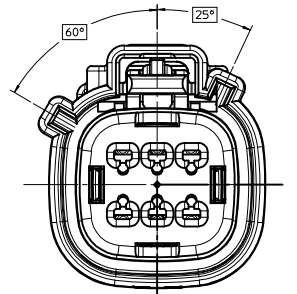
X9	UPDATED BACKSHELL INFORMATION
X8	ADD NEW P/N 33472-0681
X7	UPDATED BACKSHELL
X6	RENAMED BACKSHELLS
X5	ADD NEW P/N 33472-0678 33472-0679 33472-0680
X4	UPDATED VIEWS
X3	UPDATED NOMENCLATURE SHEET 3
X2	ADD NEW P/N 33472-0677
X1	UPDATED NOTES
X	REDRAWN, ADDED BACKSHELL

<b>ENTER DESCRIPTION</b> IEC NO: UAU2013-1966 DRAWN/CUNNINGHAM 2013/06/11 CHKD: APPR: VKOSHY 2013/06/20	QUALITY SYMBOLS	GENERAL TOLERANCES (UNLESS SPECIFIED)	DIMENSION STYLE	SCALE	DESIGN UNITS	THIRD ANGLE PROJECTION	MX150 2X3 RECEPTACLE SEALED ASSEMBLY MAT SEAL MATERIAL NO. SD-33472-061 SHEET NO. 1 OF 8
	▽=0 ▽=0 ▽=0	4 PLACES ± --- mm    ± --- INCH 3 PLACES ± --- mm    ± --- INCH 2 PLACES ± 0.10 mm    ± --- INCH 1 PLACE ± 0.3 mm    ± --- INCH 0 PLACE ± --- mm    ± --- INCH	MM ONLY	3:1	METRIC	DRAWN BY DATE DGRIF1 ITHS 06-05-03 CHECKED BY DATE DGRIF1 ITHS 06-05-03 APPROVED BY DATE VKOSHY 2010/03/04	
	ANGLULAR ± 3 ° DRAFT WHERE APPLICABLE MUST REMAIN WITHIN DIMENSIONS	SEE BOM	SIZE D THIS DRAWING CONTAINS INFORMATION THAT IS PROPRIETARY TO MOLEX INCORPORATED AND SHOULD NOT BE USED WITHOUT WRITTEN PERMISSION				
	DOCUMENT NO. SD-33472-061						

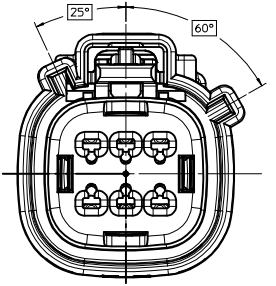
KEY CONFIGURATIONS



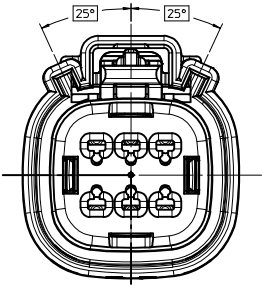
KEY A



KEY B



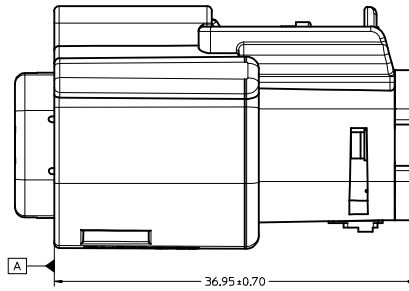
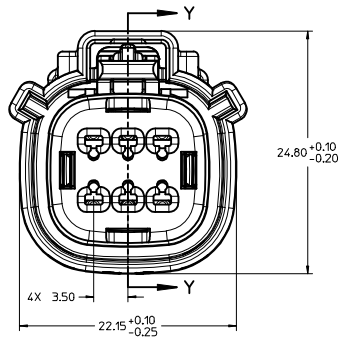
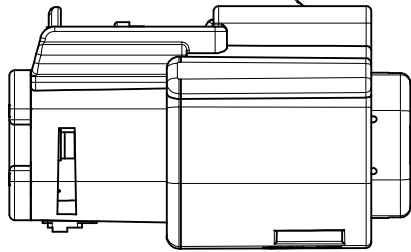
KEY C



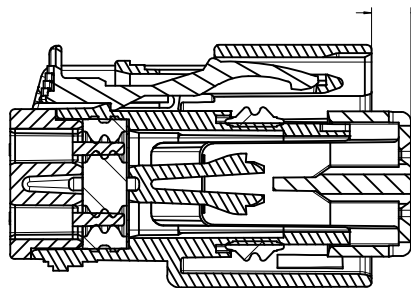
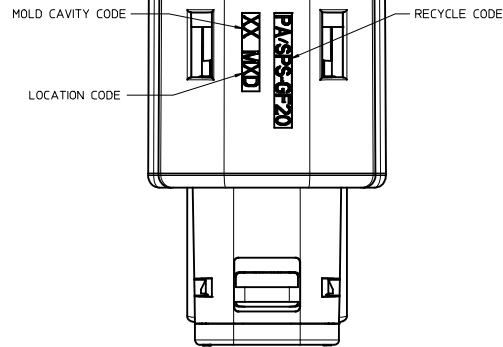
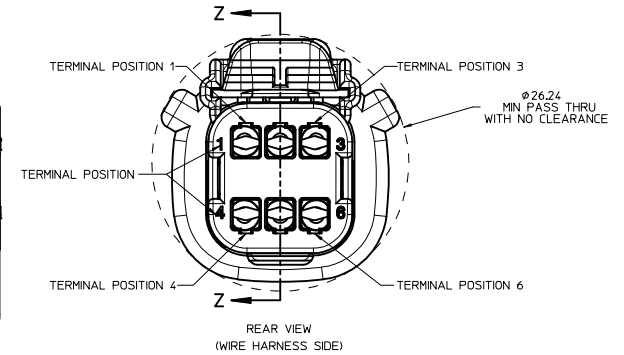
KEY D

<b>ENTER DESCRIPTION</b> EC NO: UAU2013-1966 DRAWN: CUNNINGHAM 2013/06/11 CHKD: X APPR: VKOSHY 2013/06/20	QUALITY SYMBOLS	GENERAL TOLERANCES (UNLESS SPECIFIED)	DIMENSION STYLE	SCALE	DESIGN UNITS	THIRD ANGLE PROJECTION
	▽=0	mm INCH	MM ONLY	4:1	METRIC	☉
	▽=0	4 PLACES ± --- ± ---	DRAWN BY DATE	TITLE		
	▽=0	3 PLACES ± --- ± ---	DGRIFITHS 06-05-03	MX150 2X3 RECEPTACLE SEALED ASSEMBLY MAT SEAL		
▽=0	2 PLACES ± 0.10 ± ---	CHECKED BY DATE	MATERIAL NO.			
	1 PLACE ± 0.3 ± ---	DGRIFITHS 06-05-03	SEE BOM			
	0 PLACE ± ±	APPROVED BY DATE	DOCUMENT NO.			
	ANGULAR ± 3 °	VKOSHY 2010/03/04	SD-33472-061			
	DRAFT WHERE APPLICABLE MUST REMAIN WITHIN DIMENSIONS	SIZE D	SHEET NO. 2 OF 8			
			THIS DRAWING CONTAINS INFORMATION THAT IS PROPRIETARY TO MOLEX INCORPORATED AND SHOULD NOT BE USED WITHOUT WRITTEN PERMISSION			

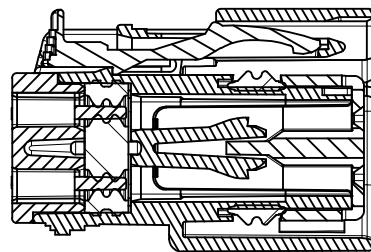
LASER MARKING ON THIS SURFACE  
SEE NOTE 3g.



RECEPTACLE SEALED ASSEMBLY



PRIMARY LOCK REINFORCEMENT (PLR) SHOWN  
IN PRE-STAGED POSITION  
SECTION Z-Z



PRIMARY LOCK REINFORCEMENT (PLR) SHOWN  
IN FINAL-LOCK POSITION  
SECTION Y-Y

<b>ENTER DESCRIPTION</b> IEC NO. UAU2013-1966 DRAWN/CUNNINGHAM 2013/06/11 CHKD: APPR:VKOSHY 2013/06/20	QUALITY SYMBOLS	GENERAL TOLERANCES (UNLESS SPECIFIED)	DIMENSION STYLE	SCALE	DESIGN UNITS	THIRD ANGLE PROJECTION	
	∇=0 ∇=0 ∇=0	mm INCH 4 PLACES ± --- ± --- 3 PLACES ± --- ± --- 2 PLACES ± 0.10 ± --- 1 PLACE ± 0.3 ± --- 0 PLACE ± ±	MM ONLY	4:1	METRIC	DATE DGRAFFITHS 06-05-03 DATE DGRAFFITHS 06-05-03 DATE VKOSHY 2010/03/04	TITLE MX150 2X3 RECEPTACLE SEALED ASSEMBLY MAT SEAL molex
	ANGULAR ± 3 ° DRAFT WHERE APPLICABLE MUST REMAIN WITHIN DIMENSIONS	MATERIAL NO.	DOCUMENT NO.	SHEET NO.			
	SEE BOM	SD-33472-061	3 OF 8				

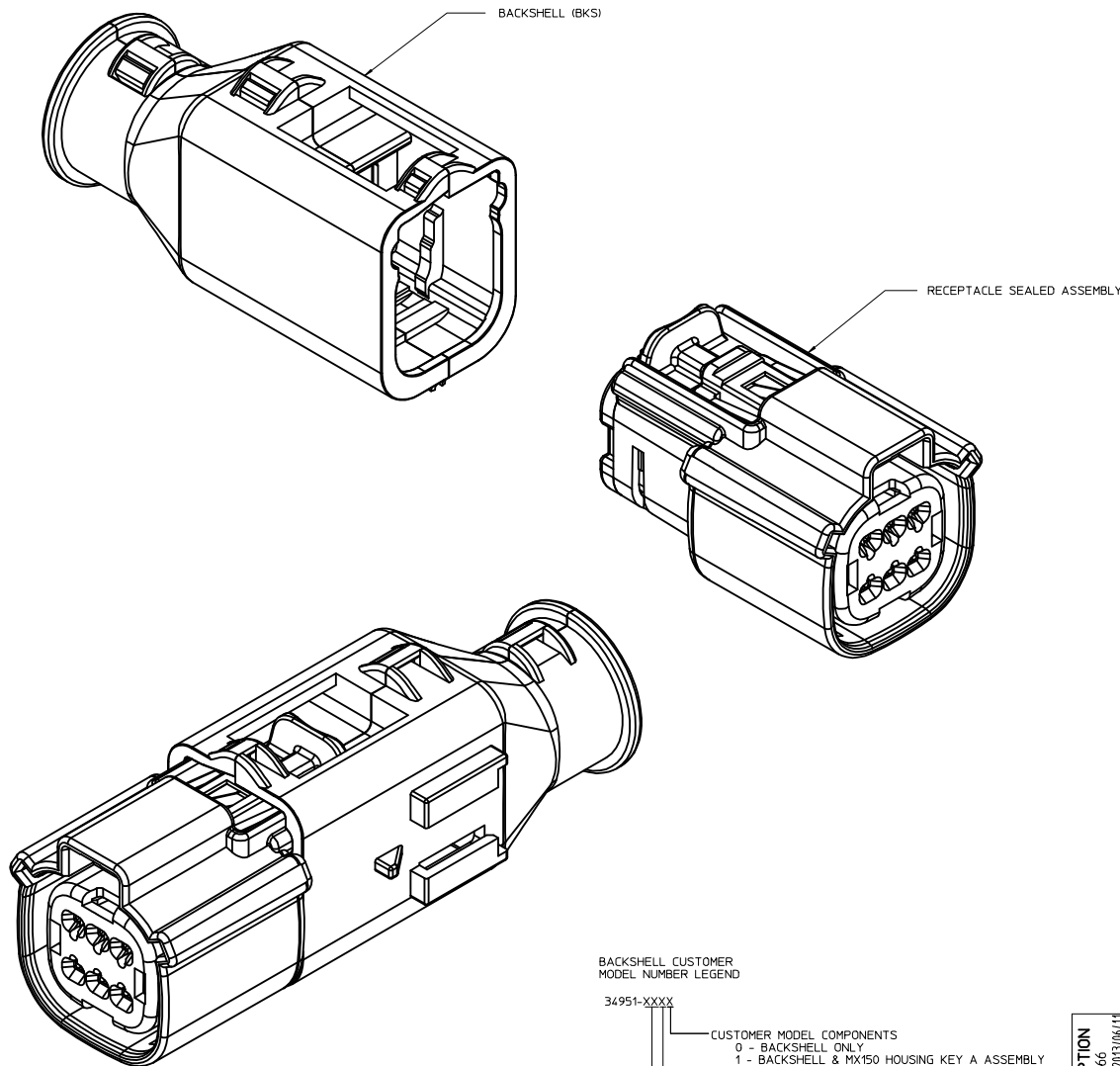
THIS DRAWING CONTAINS INFORMATION THAT IS PROPRIETARY TO MOLEX INCORPORATED AND SHOULD NOT BE USED WITHOUT WRITTEN PERMISSION

BACKSHELL NOTES

BACKSHELL NOTES: VALID UNLESS OTHERWISE SPECIFIED

1. GENERAL:

- a. APPLICATION SPECIFICATION SEE: AS-34951-001
  - DESIGNED TO MATE WITH RECEPTACLE SEALED ASSEMBLY AS SPECIFIED IN DRAWING SD-33472-061
  - SYSTEM TO BE USED WITH WIRE WITHIN DIAMETER RANGE OF 1.2 mm TO 2.69 mm.
  - COMPONENTS ARE OPTIONAL AND MUST BE PURCHASED SEPARATELY
  - BACKSHELL DESIGN IS OWNED BY SCHLEMMER
  - FOR ADDITIONAL INFORMATION SEE THE BACKSHELL COMPONENT DRAWING SD-34951-0001



BACKSHELL CUSTOMER MODEL NUMBER LEGEND

34951-XXXX

- CUSTOMER MODEL COMPONENTS
  - 0 - BACKSHELL ONLY
  - 1 - BACKSHELL & MX150 HOUSING KEY A ASSEMBLY
  - 2 - BACKSHELL & MX150 HOUSING KEY B ASSEMBLY
  - 3 - BACKSHELL & MX150 HOUSING KEY C ASSEMBLY
  - 4 - BACKSHELL & MX150 HOUSING KEY D ASSEMBLY

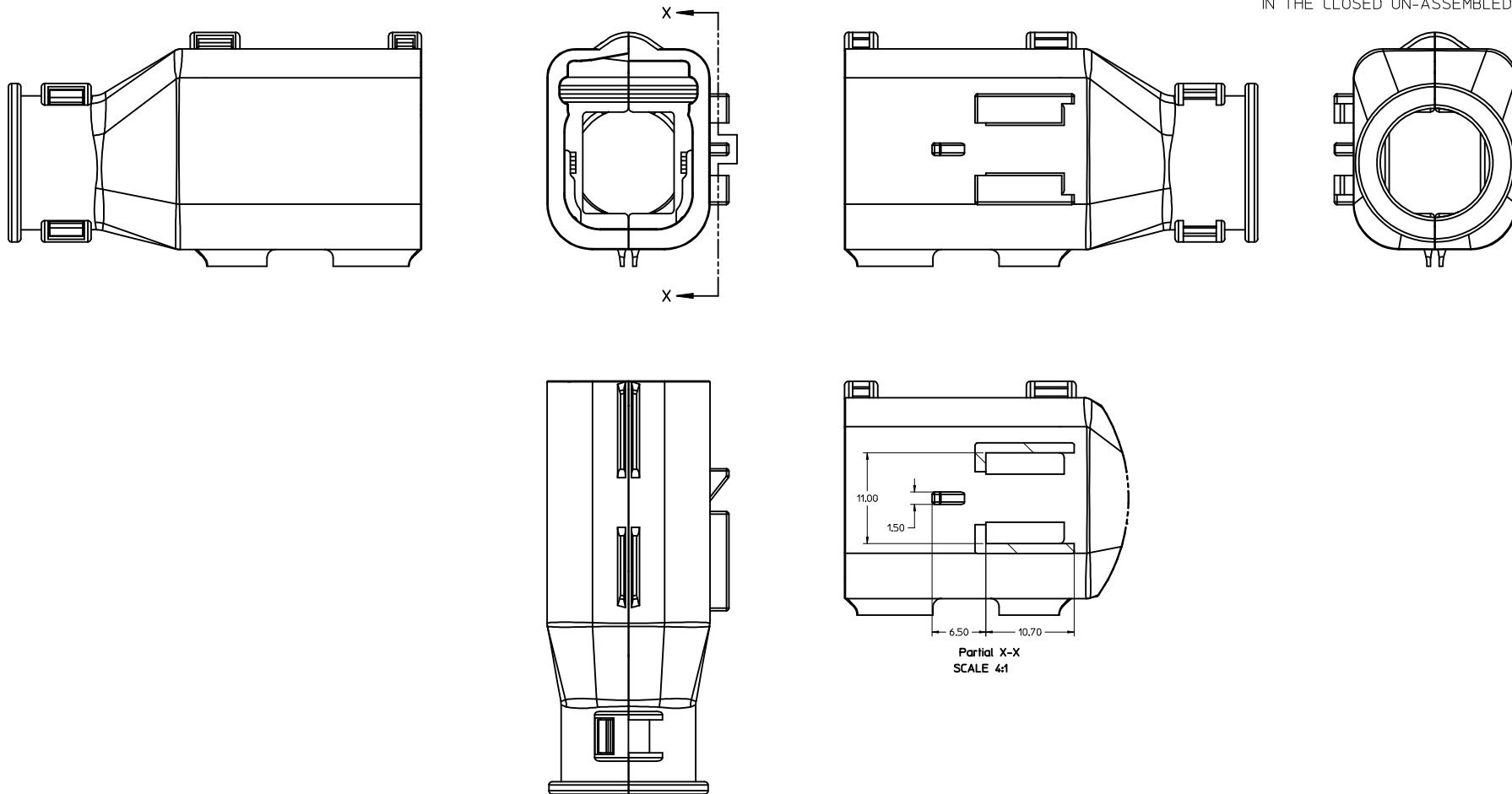
- BACKSHELL FEATURES
  - 1 - WITH RIBS
  - 2 - WITHOUT RIBS

MX150 CIRCUIT SIZE 04, 06, 08, 12, 16, 20

ENTER DESCRIPTION DEC NO: UAU2013-1966 DRAWN/CUNNINGHAM 2013/06/11 CHKD: APPR: VKOSHY 2013/06/20	QUALITY SYMBOLS	GENERAL TOLERANCES (UNLESS SPECIFIED)	DIMENSION STYLE	SCALE	DESIGN UNITS	THIRD ANGLE PROJECTION
	∇=0 ∇=0 ∇=0	mm INCH 4 PLACES ± --- ± --- 3 PLACES ± --- ± --- 2 PLACES ± 0.10 ± --- 1 PLACE ± 0.3 ± --- 0 PLACE ± ±	MM ONLY DRAWN BY DATE DGRIFITHS 06-05-03 CHECKED BY DATE DGRIFITHS 06-05-03 APPROVED BY DATE VKOSHY 2010/03/04	4:1 METRIC	MX150 2X3 RECEPTACLE SEALED ASSEMBLY MAT SEAL <b>molex</b>	MATERIAL NO. SEE BOM
DRAFT WHERE APPLICABLE MUST REMAIN WITHIN DIMENSIONS	ANGULAR ± 3 °	SIZE D	THIS DRAWING CONTAINS INFORMATION THAT IS PROPRIETARY TO MOLEX INCORPORATED AND SHOULD NOT BE USED WITHOUT WRITTEN PERMISSION			

20 19 18 17 16 15 14 13 12 11 10 9 8 7 6 5 4 3 2 1

BACKSHELL  
THE VIEWS ON THIS SHEET ARE  
IN THE CLOSED UN-ASSEMBLED POSITION



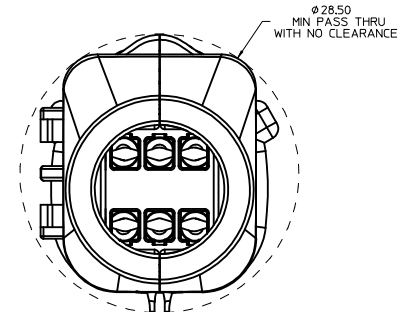
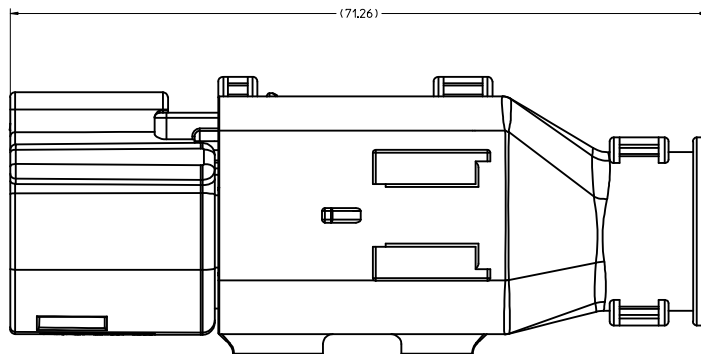
Partial X-X  
SCALE 4:1

<b>ENTER DESCRIPTION</b> IEC NO. UAU2013-1966 DRAWN/CUNNINGHAM 2013/06/11 CHKD: APPR:VKOSHY 2013/06/20 REVISIONS 1 2 3	QUALITY SYMBOLS	GENERAL TOLERANCES (UNLESS SPECIFIED)	DIMENSION STYLE	SCALE	DESIGN UNITS	THIRD ANGLE PROJECTION	
	∇=0 ∇=0 ∇=0	mm INCH 4 PLACES ± --- ± --- 3 PLACES ± --- ± --- 2 PLACES ± 0.10 ± --- 1 PLACE ± 0.3 ± --- 0 PLACE ± ±	MM ONLY	4:1	METRIC	DRAWN BY DATE DGRIFITHS 06-05-03 CHECKED BY DATE DGRIFITHS 06-05-03 APPROVED BY DATE VKOSHY 2010/03/04	TITLE MX150 2X3 RECEPTACLE SEALED ASSEMBLY MAT SEAL molex MATERIAL NO. SEE BOM DOCUMENT NO. SD-33472-061
	ANGULAR ± 3 ° DRAFT WHERE APPLICABLE MUST REMAIN WITHIN DIMENSIONS		SIZE D	SHEET NO. 5 OF 8		THIS DRAWING CONTAINS INFORMATION THAT IS PROPRIETARY TO MOLEX INCORPORATED AND SHOULD NOT BE USED WITHOUT WRITTEN PERMISSION	

19 18 17 16 15 14 13 12 11 10 9 8 7 6 5 4 3 2 1

20 19 18 17 16 15 14 13 12 11 10 9 8 7 6 5 4 3 2 1

BACKSHELL CONFIGURATIONS



RECEPTACLE SEALED ASSEMBLY WITH RECEPTACLE BACKSHELL

<b>ENTER DESCRIPTION</b> EEC NO: UAU2013-1966 DRAWN: CUNNINGHAM 2013/06/11 CHKD: X APPR: VKOSHY 2013/06/20	QUALITY SYMBOLS	GENERAL TOLERANCES (UNLESS SPECIFIED)	DIMENSION STYLE	SCALE	DESIGN UNITS	THIRD ANGLE PROJECTION
	▽=0	mm INCH	MM ONLY	4:1	METRIC	☉
	▽=0	4 PLACES ± --- ± ---	DRAWN BY DATE	TITLE		
	▽=0	3 PLACES ± --- ± ---	DGRIFITHS 06-05-03	MX150 2X3 RECEPTACLE SEALED ASSEMBLY MAT SEAL		
▽=0	2 PLACES ± 0.10 ± ---	CHECKED BY DATE	MATERIAL NO.			
	1 PLACE ± 0.3 ± ---	DGRIFITHS 06-05-03	SEE BOM			
	0 PLACE ± ±	APPROVED BY DATE	DOCUMENT NO.			
		VKOSHY 2010/03/04	SD-33472-061			
		ANGULAR ± 3 °	SHEET NO.			
		DRAFT WHERE APPLICABLE MUST REMAIN WITHIN DIMENSIONS	6 OF 8			
			THIS DRAWING CONTAINS INFORMATION THAT IS PROPRIETARY TO MOLEX INCORPORATED AND SHOULD NOT BE USED WITHOUT WRITTEN PERMISSION			

19 18 17 16 15 14 13 12 11 10 9 8 7 6 5 4 3 2 1

DESCRIPTION	PART NUMBER	KEY	CPA	M	1	2	3	4	5	6	STATUS	COMMENTS	BACKSHELL WITH RIBS	BACKSHELL WITHOUT RIBS					
VOID KEY	33472-0640																		
KEY D, GREEN	33472-0639		D		M	1	2	3	4	5	6	NOT RECOMMENDED	34951-0610	34951-0620					
KEY C, BROWN	33472-0638		C		M	1	2	3	4	5	6	NOT RECOMMENDED	34951-0610	34951-0620					
KEY B, LIGHT GRAY	33472-0637	B			M	1	2	3	4	5	6		34951-0610	34951-0620					
KEY A, BLACK	33472-0636	A			M	1	2	3	4	5	6	SALEABLE	34951-0610	34951-0620					
VOID KEY	33472-0635																		
KEY D, W/O MAT SEAL, GREEN	33472-0634		D									NOT RECOMMENDED	NOT VALIDATED	34951-0610	34951-0620				
KEY C, W/O MAT SEAL, BROWN	33472-0633		C									NOT RECOMMENDED	NOT VALIDATED	34951-0610	34951-0620				
KEY B, W/O MAT SEAL, LIGHT GRAY	33472-0632	B										NOT RECOMMENDED	NOT VALIDATED	34951-0610	34951-0620				
KEY A, W/O MAT SEAL, BLACK	33472-0631	A										NOT RECOMMENDED	NOT VALIDATED	34951-0610	34951-0620				
VOID KEY	33472-0630																		
KEY D, W/ CPA, GREEN	33472-0629		D	CPA	M			3	4			NOT RECOMMENDED	34951-0610	34951-0620					
KEY C, W/ CPA, BROWN	33472-0628		C	CPA	M			3	4			NOT RECOMMENDED	34951-0610	34951-0620					
KEY B, W/ CPA, LIGHT GRAY	33472-0627	B		CPA	M			3	4				34951-0610	34951-0620					
KEY A, W/ CPA, BLACK	33472-0626	A		CPA	M			3	4			SALEABLE	34951-0610	34951-0620					
VOID KEY	33472-0625																		
KEY D, GREEN	33472-0624		D		M			3	4			NOT RECOMMENDED	34951-0610	34951-0620					
KEY C, BROWN	33472-0623		C		M			3	4			NOT RECOMMENDED	34951-0610	34951-0620					
KEY B, LIGHT GRAY	33472-0622	B			M			3	4				34951-0610	34951-0620					
KEY A, BLACK	33472-0621	A			M			3	4			SALEABLE	34951-0610	34951-0620					
VOID KEY	33472-0620																		
KEY D, W/ CPA, GREEN	33472-0619		D	CPA	M			3				NOT RECOMMENDED	34951-0610	34951-0620					
KEY C, W/ CPA, BROWN	33472-0618		C	CPA	M			3				NOT RECOMMENDED	34951-0610	34951-0620					
KEY B, W/ CPA, LIGHT GRAY	33472-0617	B		CPA	M			3					34951-0610	34951-0620					
KEY A, W/ CPA, BLACK	33472-0616	A		CPA	M			3				SALEABLE	34951-0610	34951-0620					
VOID KEY	33472-0615																		
KEY D, GREEN	33472-0614		D		M			3				NOT RECOMMENDED	34951-0610	34951-0620					
KEY C, BROWN	33472-0613		C		M			3				NOT RECOMMENDED	34951-0610	34951-0620					
KEY B, LIGHT GRAY	33472-0612	B			M			3					34951-0610	34951-0620					
KEY A, BLACK	33472-0611	A			M			3				SALEABLE	34951-0610	34951-0620					
VOID KEY	33472-0610																		
KEY D, W/ CPA, GREEN	33472-0609		D	CPA	M							NOT RECOMMENDED	SEE P/N 33472-0671	34951-0610	34951-0620				
KEY C, W/ CPA, BROWN	33472-0608		C	CPA	M							NOT RECOMMENDED	SEE P/N 33472-0670	34951-0610	34951-0620				
KEY B, W/ CPA, LIGHT GRAY	33472-0607	B		CPA	M								34951-0610	34951-0620					
KEY A, W/ CPA, BLACK	33472-0606	A		CPA	M							SALEABLE	34951-0610	34951-0620					
VOID KEY	33472-0605																		
KEY D, GREEN	33472-0604		D		M							NOT RECOMMENDED	SEE P/N 33472-0669	34951-0610	34951-0620				
KEY C, BROWN	33472-0603		C		M							NOT RECOMMENDED	SEE P/N 33472-0668	34951-0610	34951-0620				
KEY B, LIGHT GRAY	33472-0602	B			M								34951-0610	34951-0620					
KEY A, BLACK	33472-0601	A			M							SALEABLE	34951-0610	34951-0620					
ASSEMBLY DESCRIPTION	ASSEMBLY PART NUMBER	A	B	C	D	C	D	CPA	M	1	2	3	4	5	6	STATUS	COMMENTS	BACKSHELL WITH RIBS	BACKSHELL WITHOUT RIBS

OPTIONAL ATTACHMENTS SOLD SEPARATELY

DESCRIPTION	COLOR	MATERIAL
RING SEAL	BURNT ORANGE	INHERENTLY LUBRICATED SILICONE
PLR	NATURAL	SPS/NYLON GF20
GROMMET CAP	BLACK	SPS/NYLON GF20
MAT SEAL	LIGHT BLUE	INHERENTLY LUBRICATED SILICONE
CPA	RED	PBT GF30
HOUSING KEYING OPTION D	STONE GRAY	SPS/NYLON GF20
HOUSING KEYING OPTION C	DARK GRAY	SPS/NYLON GF20
HOUSING KEYING OPTION D	GREEN	SPS/NYLON GF20
HOUSING KEYING OPTION C	BROWN	SPS/NYLON GF20
HOUSING KEYING OPTION B	LIGHT GRAY	SPS/NYLON GF20
HOUSING KEYING OPTION A	BLACK	SPS/NYLON GF20

BOM/APPLICABLE COMPONENTS TABLE

**LEGEND TABLE**

ABBREVIATION	COMPONENT
A	HOUSING KEY A
B	HOUSING KEY B
C	HOUSING KEY C
D	HOUSING KEY D
GC	GROMMET CAP
M	MAT SEAL
R	RING SEAL
P	PLR, STANDARD
CPA	CPA
BKS	BACKSHELL

<b>ENTER DESCRIPTION</b> EEC NO. UAU2013-1966 DRAWN/CUNNINGHAM 2013/06/11 CHKD: APPR:VKOSHY 2013/06/20 REV:	QUALITY SYMBOLS ∇=0 ∇=0 ∇=0	GENERAL TOLERANCES (UNLESS SPECIFIED) mm      INCH 4 PLACES ±      ± 3 PLACES ±      ± 2 PLACES ±0.10 ±      ± 1 PLACE ±0.3 ±      ± 0 PLACE ±      ±	DIMENSION STYLE MM ONLY DRAWN BY DATE DGRIFFI THS 06-05-03 CHECKED BY DATE DGRIFFI THS 06-05-03 APPROVED BY DATE VKOSHY 2010/03/04	SCALE DESIGN UNITS METRIC THIRD ANGLE PROJECTION	TITLE MX150 2X3 RECEPTACLE SEALED ASSEMBLY MAT SEAL MATERIAL NO. SEE BOM DOCUMENT NO. SD-33472-061 SHEET NO. 7 OF 8
	ANGULAR ± 3 ° DRAFT WHERE APPLICABLE MUST REMAIN WITHIN DIMENSIONS				
	THIS DRAWING CONTAINS INFORMATION THAT IS PROPRIETARY TO MOLEX INCORPORATED AND SHOULD NOT BE USED WITHOUT WRITTEN PERMISSION				



KEY A, W/ CPA, BLACK	33472-0681	A					CPA	M	2										SALEABLE		34951-0610	34951-0620
KEY A, BLACK	33472-0680	A					CPA	M	1	2	3								SALEABLE		34951-0610	34951-0620
KEY A, W/ CPA, BLACK	33472-0679	A					CPA	M	1	2	3								SALEABLE		34951-0610	34951-0620
KEY B, LIGHT GRAY	33472-0678	B						M					5	6					SALEABLE		34951-0610	34951-0620
KEY B, LIGHT GRAY	33472-0677	B						M	1				5						SALEABLE		34951-0610	34951-0620
KEY B, W/ CPA, LIGHT GRAY	33472-0676	B					CPA	M	1				5						SALEABLE		34951-0610	34951-0620
KEY A, W/ CPA, BLACK	33472-0675	A					CPA	M											SALEABLE		34951-0610	34951-0620
KEY A, W/ CPA, BLACK	33472-0674	A					CPA	M											SALEABLE		34951-0610	34951-0620
KEY A, BLACK	33472-0673	A						M											SALEABLE		34951-0610	34951-0620
KEY B, LIGHT GRAY	33472-0672	B						M					5						SALEABLE		34951-0610	34951-0620
KEY D, W CPA, STONE GRAY	33472-0671						D	CPA	M										TOOLED BUT NOT VALIDATED		34951-0610	34951-0620
KEY C, W/ CPA, DARK GRAY	33472-0670						C	CPA	M										SALEABLE		34951-0610	34951-0620
KEY D, STONE GRAY	33472-0669						D	M											TOOLED BUT NOT VALIDATED		34951-0610	34951-0620
KEY C, DARK GRAY	33472-0668						C	M											SALEABLE		34951-0610	34951-0620
KEY A, BLACK	33472-0667	A						M	1		3		5	6					SALEABLE		34951-0610	34951-0620
KEY A, BLACK	33472-0666	A						M		2			5	6					SALEABLE		34951-0610	34951-0620
KEY A, BLACK	33472-0665	A						M	1										SALEABLE		34951-0610	34951-0620
KEY A, BLACK	33472-0664	A						M					4	5	6				SALEABLE		34951-0610	34951-0620
KEY A, BLACK	33472-0663	A						M					5	6					SALEABLE		34951-0610	34951-0620
KEY A, BLACK	33472-0662	A						M	2				5						SALEABLE		34951-0610	34951-0620
KEY A, BLACK	33472-0661	A						M	2										SALEABLE		34951-0610	34951-0620
KEY A, W/ CPA, BLACK	33472-0660	A					CPA	M	1	2	3	4	5	6					SALEABLE		34951-0610	34951-0620
KEY A, BLACK	33472-0659	A						M		3		5	6						SALEABLE		34951-0610	34951-0620
KEY A, BLACK	33472-0658	A						M		3									SALEABLE		34951-0610	34951-0620
VOID KEY	33472-0657																					
KEY D, W/ CPA, GREEN	33472-0656						D	CPA	M	1		3	4	6					NOT RECOMMENDED		34951-0610	34951-0620
KEY C, W/ CPA, BROWN	33472-0655						C	CPA	M	1		3	4	6					NOT RECOMMENDED		34951-0610	34951-0620
KEY B, W/ CPA, LIGHT GRAY	33472-0654	B						CPA	M	1		3	4	6					SALEABLE		34951-0610	34951-0620
KEY A, W/ CPA, BLACK	33472-0653	A						CPA	M	1		3	4	6					SALEABLE		34951-0610	34951-0620
VOID KEY	33472-0652																					
KEY D, GREEN	33472-0651						D	M	1		3	4	6						NOT RECOMMENDED		34951-0610	34951-0620
KEY C, BROWN	33472-0650						C	M	1		3	4	6						NOT RECOMMENDED		34951-0610	34951-0620
KEY B, LIGHT GRAY	33472-0649	B						M	1		3	4	6						SALEABLE		34951-0610	34951-0620
KEY A, BLACK	33472-0648	A						M	1		3	4	6						SALEABLE		34951-0610	34951-0620
VOID KEY	33472-0647																					
KEY D, W/ CPA, GREEN	33472-0646						D	CPA	M	1		3	4						NOT RECOMMENDED		34951-0610	34951-0620
KEY C, W/ CPA, BROWN	33472-0645						C	CPA	M	1		3	4						NOT RECOMMENDED		34951-0610	34951-0620
KEY B, W/ CPA, LIGHT GRAY	33472-0644	B						CPA	M	1		3	4						SALEABLE		34951-0610	34951-0620
KEY A, W/ CPA, BLACK	33472-0643	A						CPA	M	1		3	4						SALEABLE		34951-0610	34951-0620
KEY A, BLACK	33472-0642	A						M				4							SALEABLE		34951-0610	34951-0620
KEY A, BLACK	33472-0641	A						M		2	3	4	5						SALEABLE		34951-0610	34951-0620
ASSEMBLY DESCRIPTION	ASSEMBLY PART NUMBER	A	B	C	D	C	D	CPA	M	1	2	3	4	5	6				STATUS	COMMENTS	BACKSHELL WITH RIBS	BACKSHELL WITHOUT RIBS

DESCRIPTION	COLOR	MATERIAL
RING SEAL	BURNT ORANGE	INHERENTLY LUBRICATED SILICONE
PLR	NATURAL	SPS/NYLON GF20
GROMMET CAP	BLACK	SPS/NYLON GF20
MAT SEAL	LIGHT BLUE	INHERENTLY LUBRICATED SILICONE
CPA	RED	PBT GF30
HOUSING KEYING OPTION D	STONE GRAY	SPS/NYLON GF20
HOUSING KEYING OPTION C	DARK GRAY	SPS/NYLON GF20
HOUSING KEYING OPTION D	GREEN	SPS/NYLON GF20
HOUSING KEYING OPTION C	BROWN	SPS/NYLON GF20
HOUSING KEYING OPTION B	LIGHT GRAY	SPS/NYLON GF20
HOUSING KEYING OPTION A	BLACK	SPS/NYLON GF20

ABBREVIATION	COMPONENT
A	HOUSING KEY A
B	HOUSING KEY B
C	HOUSING KEY C
D	HOUSING KEY D
GC	GROMMET CAP
M	MAT SEAL
R	RING SEAL
P	PLR, STANDARD
CPA	CPA
BKS	BACKSHELL

<b>ENTER DESCRIPTION</b> EEC NO. UAU2013-1966 DRAWN/CUNNINGHAM 2013/06/11 CHKD: APPR:VKOSHY 2013/06/20 REV DESCRIPTION	QUALITY SYMBOLS ∇=0 ∇=0 ∇=0	GENERAL TOLERANCES (UNLESS SPECIFIED) mm INCH 4 PLACES ± .10 ± .004 3 PLACES ± .15 ± .005 2 PLACES ± .20 ± .006 1 PLACE ± .30 ± .008 0 PLACE ± .40 ± .010	DIMENSION STYLE MM ONLY DRAWN BY DATE DGRIFFI THS 06-05-03 CHECKED BY DATE DGRIFFI THS 06-05-03 APPROVED BY DATE VKOSHY 2010/03/04	SCALE DESIGN UNITS METRIC THIRD ANGLE PROJECTION	TITLE MX150 2X3 RECEPTACLE SEALED ASSEMBLY MAT SEAL molex MATERIAL NO. SEE BOM DOCUMENT NO. SD-33472-061 SHEET NO. 8 OF 8
	ANGLE ± 3 ° DRAFT WHERE APPLICABLE MUST REMAIN WITHIN DIMENSIONS				
	THIS DRAWING CONTAINS INFORMATION THAT IS PROPRIETARY TO MOLEX INCORPORATED AND SHOULD NOT BE USED WITHOUT WRITTEN PERMISSION				
	SIZE D				