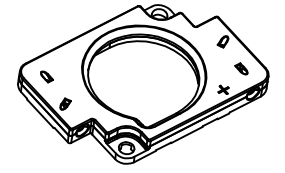
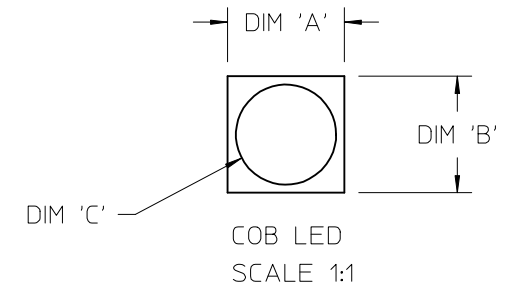
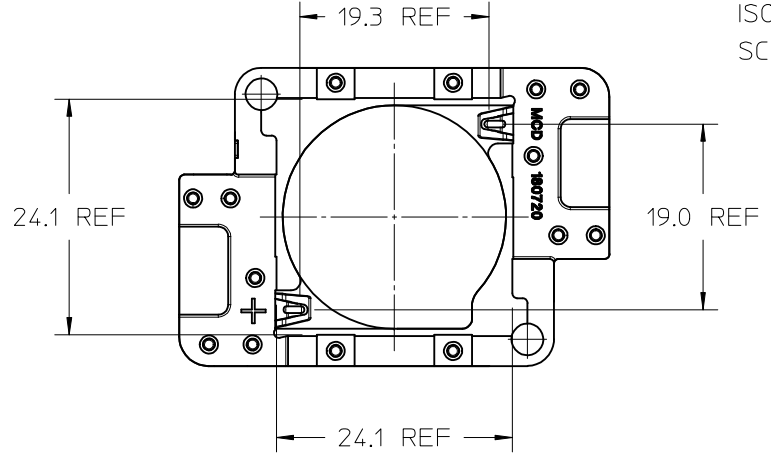
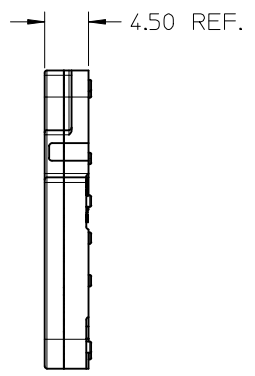
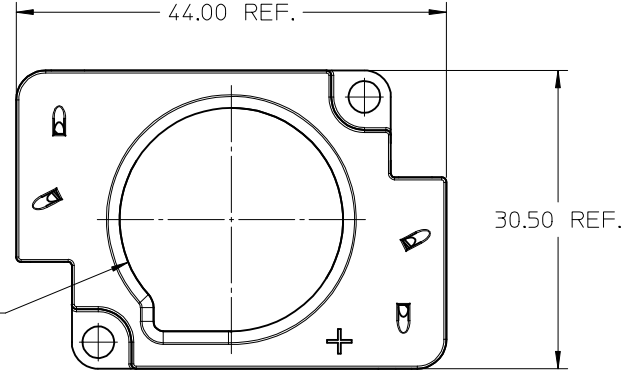


10	9	8	7	6	5	4	3	2	1
COB MFG	TYPE	DIM 'A'	DIM 'B'	THICKNESS	DIM 'C'				
CREE	CXA25	23.85	23.85	1.15	21.0				
OSRAM	X19	24.00	24.00	0.96	19.8				



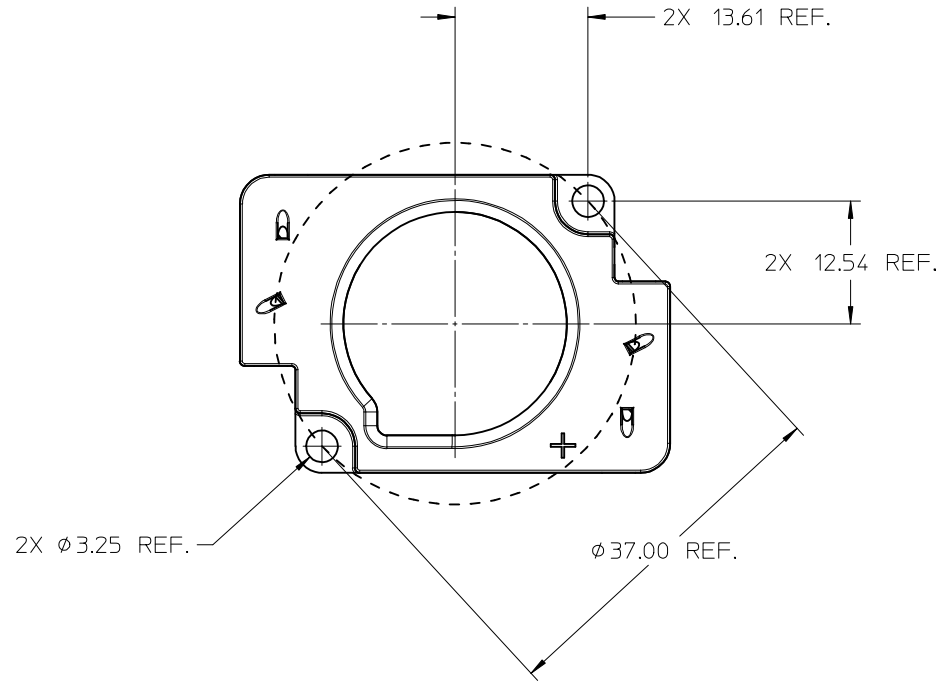
ISO VIEW  
SCALE 1:1



- NOTES:
- MATERIALS:
    - TOP HOUSING: WHITE COLOR PBT 30% GF UL94V-0
    - BOTTOM HOUSING: WHITE COLOR PBT 30% GF UL94V-0
  - WIRE TRAP TERMINALS: COPPER ALLOY
    - FINISH: SELECTIVE GOLD OVER NICKEL
  - THIS PRODUCT IS ELV AND ROHS COMPLIANT
  - APPLICABLE WIRE GAUGE - 18, 20 OR 22 AWG
    - SOLID WIRE IS RECOMMENDED
    - IF STRANDED WIRE IS USED, PRE-TINNED IS RECOMMENDED
    - 11.0mm±1.0mm STRIP LENGTH IS RECOMMENDED
  - MOUNT HOLDER USING M3 SCREWS (2): 0.4 NEWTON METER MINIMUM, 0.8 NEWTON METER MAXIMUM TORQUE

ENTER DESCRIPTION ELC NO: SSL2014-0055 DRWN:MCOLE 2013/11/10 CHKD:WANSTIPHOOT 2013/11/12 APPR:DMCGOWAN 2013/11/18	QUALITY SYMBOLS ▽=0 ▽=0 ▽=0	GENERAL TOLERANCES (UNLESS SPECIFIED)		DIMENSION STYLE MM ONLY		SCALE 2:1	DESIGN UNITS METRIC	THIRD ANGLE PROJECTION		
			mm	INCH	DRAWN BY CCARRANZA	DATE 2012/10/26	TITLE COB LED HOLDER 24.1MM X 24.1MM SQUARE			
					CHECKED BY	DATE 2012/11/06				
					APPROVED BY DMCGOWAN	DATE 2012/11/06	DOCUMENT NO. SD-180720-001		SHEET NO. 1 OF 2	
A REV		ANGULAR ±1/2° DRAFT WHERE APPLICABLE MUST REMAIN WITHIN DIMENSIONS		MATERIAL NO. 1807200001		THIS DRAWING CONTAINS INFORMATION THAT IS PROPRIETARY TO MOLEX INCORPORATED AND SHOULD NOT BE USED WITHOUT WRITTEN PERMISSION				

10 9 8 7 6 5 4 3 2 1



RECOMMENDED MOUNTING DIMENSIONS

<b>ENTER DESCRIPTION</b> EC NO: SSL2014-0055 DRAWN BY: DRW/MCOLE 2013/11/10 CHKD: HWANST/PHOUT 2013/11/12 APPR: DMCGOWAN 2013/11/18 REV A	QUALITY SYMBOLS F/0 F/0 F/0	GENERAL TOLERANCES (UNLESS SPECIFIED)		DIMENSION STYLE <b>MM ONLY</b>		SCALE <b>2:1</b>	DESIGN UNITS <b>METRIC</b>	THIRD ANGLE PROJECTION	
		4 PLACES ± --- ± --- 3 PLACES ± --- ± --- 2 PLACES ± --- ± --- 1 PLACE ± --- ± --- 0 PLACE ± --- ± ---	mm INCH	DRAWN BY CCARRANZA	DATE 2012/10/26	TITLE <b>COB LED HOLDER                  24.1MM X 24.1MM SQUARE</b>			
				CHECKED BY CCARRANZA	DATE 2012/11/06				
					APPROVED BY DMCGOWAN	DATE 2012/11/06	<b>molex</b>		
				MATERIAL NO. 1807200001	DOCUMENT NO. SD-180720-001	SHEET NO. 2 OF 2			
		ANGULAR ±1/2° DRAFT WHERE APPLICABLE MUST REMAIN WITHIN DIMENSIONS		SIZE B		THIS DRAWING CONTAINS INFORMATION THAT IS PROPRIETARY TO MOLEX INCORPORATED AND SHOULD NOT BE USED WITHOUT WRITTEN PERMISSION			

9 8 7 6 5 4 3 2 1