

10 9 8 7 6 5 4 3 2 1

F

E

D

C

B

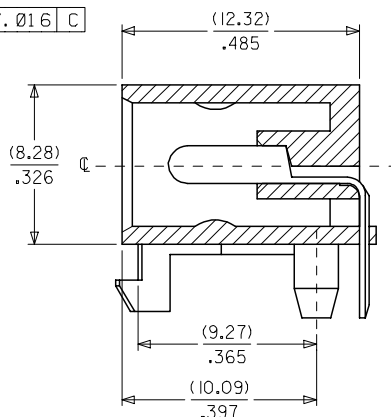
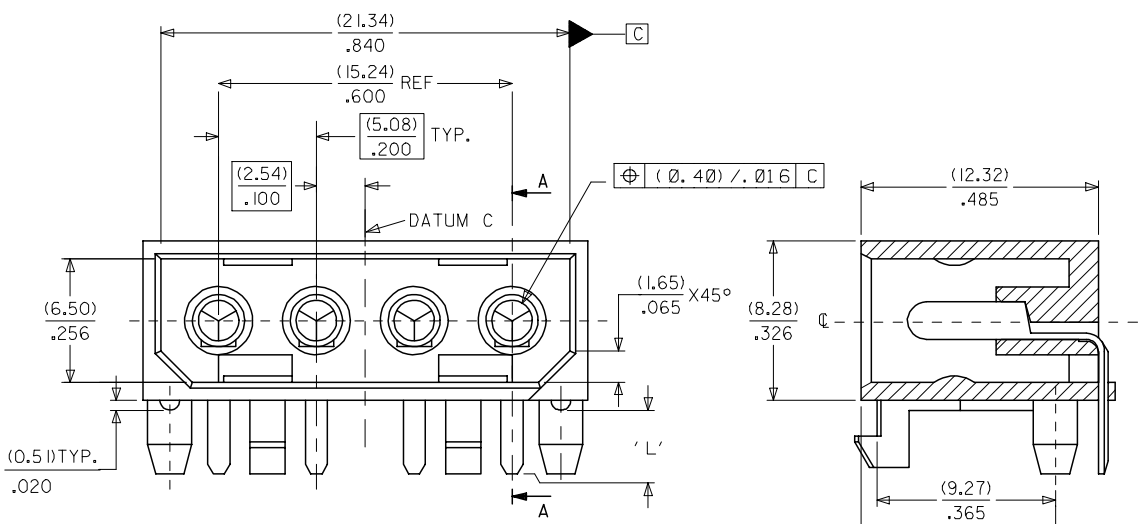
F

E

D

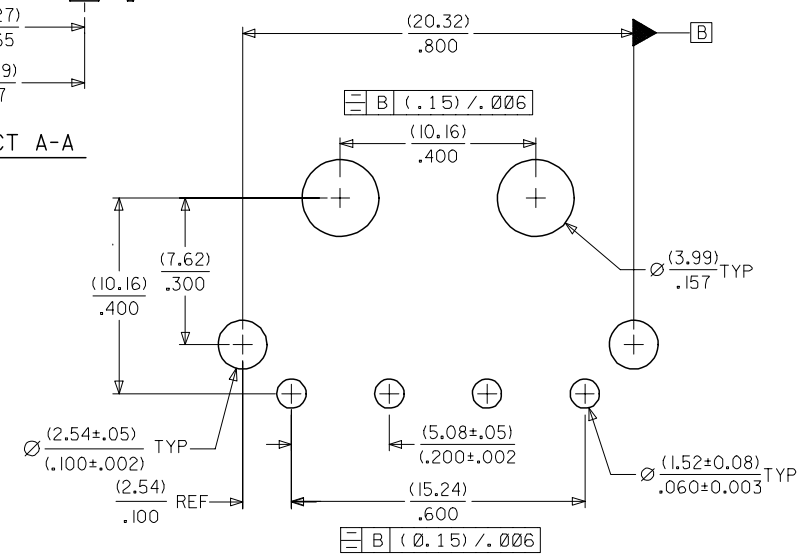
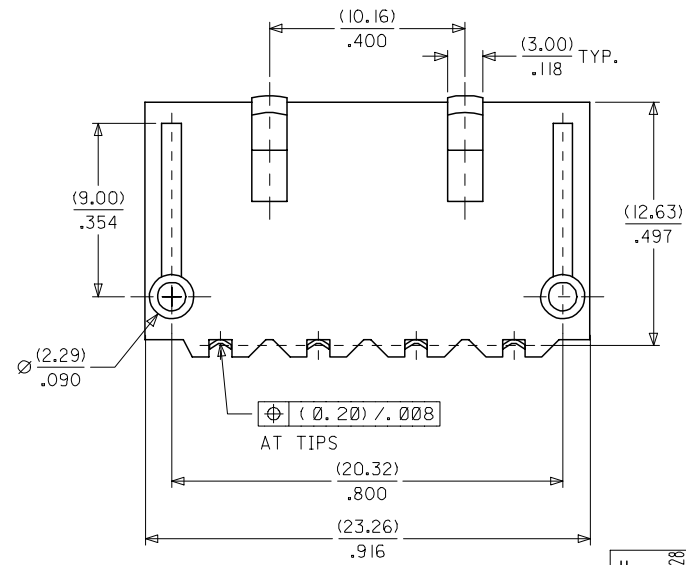
C

B



SECT A-A

- NOTES:
- 1) MATERIAL  
HOUSING - NYLON, TYPE 6/6, 94V-2, COLOR - NATURAL  
TERMINAL - PHOSPHOR BRONZE  
PLATING - POSTPATE (0.00254)/.000100 MIN.  
TIN/LEAD OR TIN OVER (0.00127)/.000050 MIN.  
NICKEL OVERALL.
  - 2) PART INTENDED FOR USE WITH PLUG # 8981-4P AND  
TERMINAL # 8980-R\*
  - 3) PRODUCT SPEC 8981 APPLIES.



RECOMMENDED P.C. BOARD LAYOUT (TOL. +/- (.13)/.005)

MAT'L NO.	ENG. NO.	'L'	PLATING OPTION
A-8981-4R-1	15-24-4041	(3.56) .140	TIN/LEAD
AX-8981-4R-2	-----	(2.79) / .110	TIN/LEAD
AX-8981-4R-3	-----	(2.92) / .115	TIN/LEAD
A-8981-4R-1-LF	15-24-4441	(3.56) / .140	TIN

ADD ASSY P/N FOR LF  
 EC NO: S2005-0209  
 DRAWN: KMG0H  
 CHKD: PTLIM  
 APPR: SCLLOW

QUALITY SYMBOLS  
 ▽=0  
 ▽=0

GENERAL TOLERANCES (UNLESS SPECIFIED)	
mm	INCH
4 PLACES ±---	±---
3 PLACES ±---	±.008
2 PLACES ±0.20	±---
1 PLACE ±---	±---
ANGULAR ± 3°	

DIMENSION STYLE	
MM/IN	SCALE
DRAWN BY GRX IE	DATE 2001/05/02
CHECKED BY KCL ING	DATE 2001/05/02
APPROVED BY SKT0H	DATE 2001/05/03
MATERIAL NO.	DOCUMENT NO. SD-8981-4R1
SIZE A3	SHEET NO. 1 OF 1

DESIGN UNITS INCH  
 THIRD ANGLE PROJECTION  
 SALES DRAWING  
 HEADER, 4 CKTS  
 RIGHT ANGLE MOUNT  
 MOLEX INCORPORATED  
 THIS DRAWING CONTAINS INFORMATION THAT IS PROPRIETARY TO MOLEX INCORPORATED AND SHOULD NOT BE USED WITHOUT WRITTEN PERMISSION

9 8 7 6 5 4 3 2 1