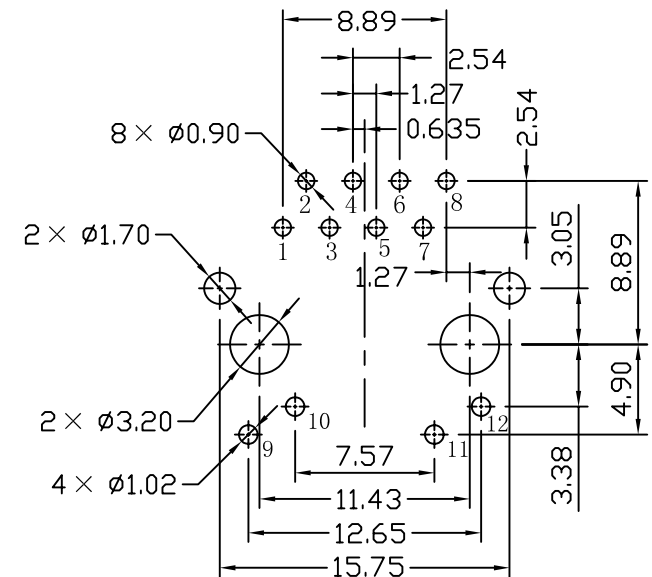
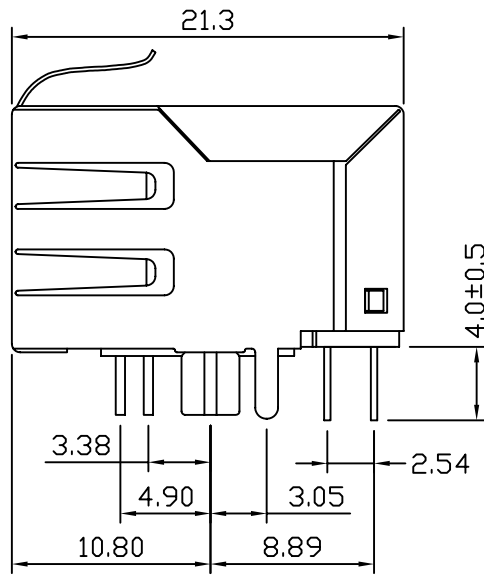
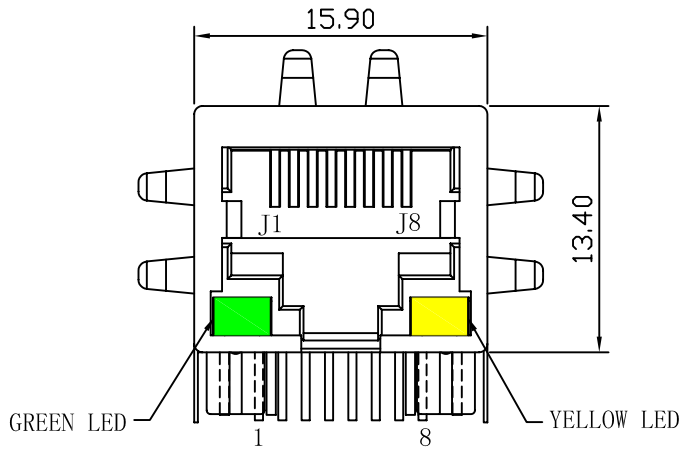
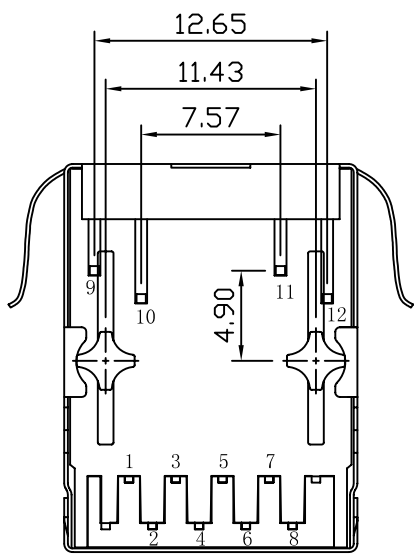


Mechanical:

REV.	ECN NO.	DESCRIPTION	DATE	APPD
A	REL		30/01/2010	



SUGGESTED PCB LAYOUT (TOP VIEW)



NOTES:

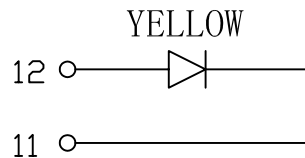
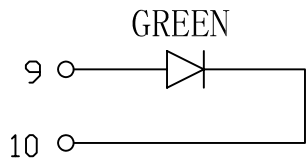
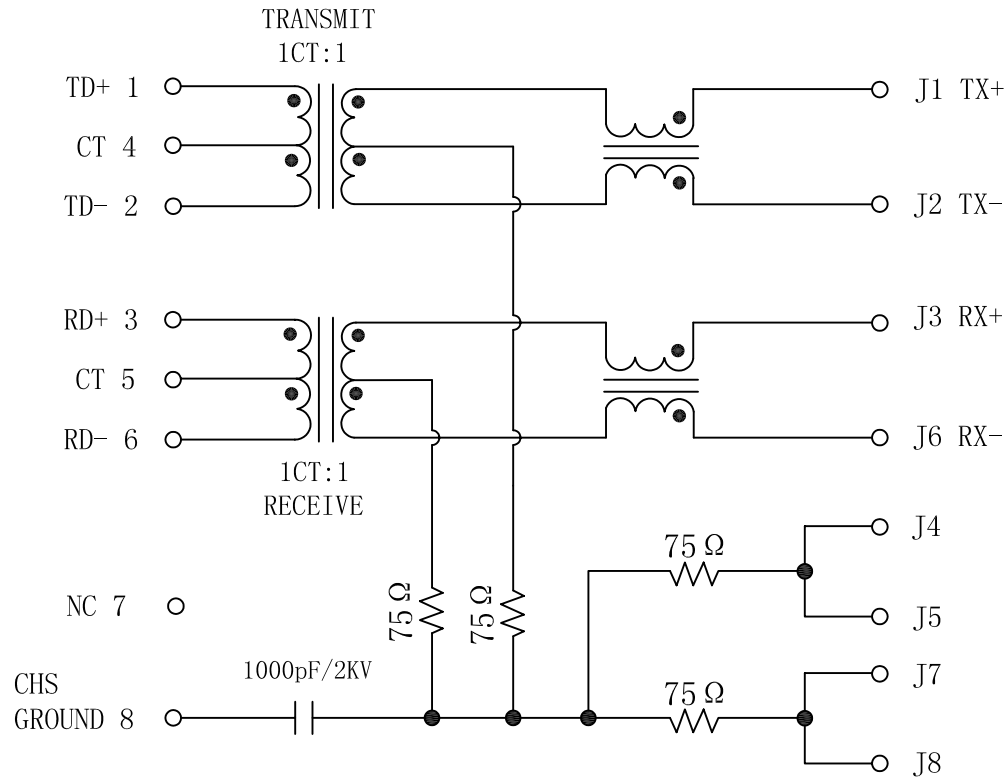
1. Designed to support application, such as SOHO (ADSL modems), LAN-on-Motherboard (LOM), hub and Switches.
2. Meets IEEE 802.3 specification
3. Connector Materials:
 Housing: Thermoplastic UL94V-0
 Contact/Shield: Copper alloy
 Shield plating: Nickel
 Contact plating: Gold 6 micro-inches min. In contact area.
4. Wave solder tip temperature: 265°C Max
 Wave solder tip temperature time: 5 Sec Max



X:X ±0.25	APPD:	X MULTIPLE
X:XX ±0.20	CHKD:	
X:XXX ±0.05	DR: C. H. Y	
ANGLES ±1°	UNIT: mm	TITLE: RJ45 Connector with 10/100 Base-T Integrated Magnetics
		PART NO.: XMG-TRJ0011ABNL
	SCALE: 2/1	SHEET: 1/2
	REV: A	DWG NO.: TRC10013007

Schematic:

PC BOARD CONNECTIONS



RJ45 CONNECTOR

REV.	ECN NO.	DESCRIPTION	DATE	APPD
A	REL		30/01/2010	

ELECTRICAL SPECIFICATIONS: @25°C

- Turn Ratio ($\pm 2\%$):
TX=1CT:1 RX=1CT:1
- Inductance OCL:
350uH MIN @ 100KHz 0.1V 8mA DC Bias
- Insertion Loss:
-1.0dB MAX @ 1.0-100MHz
- Return Loss:
-18dB MIN @ 1-30MHz
-15dB MIN @ 30-60MHz
-12dB MIN @ 60-80MHz
-10dB MIN @ 80-100MHz
- Cross talk:
-40dB MIN @ 30MHz
-35dB MIN @ 60MHz
-30dB MIN @ 100MHz
- Common Mode Rejection:
-40dB MIN @ 30MHz
-35dB MIN @ 60MHz
-30dB MIN @ 100MHz
- Hipot: 1500Vrms
- LED Lamp:
Wave Length: GREEN/YELLOW: 570nm/590nm
Forward Voltage (Vf):
1.8V-2.6V (Test Condition: 20mA)
- Operating Temperature Range: 0°C TO 70°C

X:X	± 0.25	APPD:	X MULTIPLE		
X:XX	± 0.20	CHKD:			
X:XXX	± 0.05	DR: C. H. Y			
ANGLES $\pm 1^\circ$		UNIT: mm	TITLE: RJ45 Connector with 10/100 Base-T Integrated Magnetics		
			PART NO.: XMG-TRJ0011ABNL		
		SCALE: 2/1	SHEET: 2/2	REV: A	DWG NO.: TRC10013007