

# WXD3540 Precision Wirewound Potentiometer



## Features

- Multiturn / Wirewound / Industrial
- Metal shaft and bushings
- Bushing mount
- Available with shaft (6mm dia.)

## Electrical Characteristics

Standard Resistance Range  
100 to 100K ohms  
(see standard resistance table)  
Resistance Tolerance  
±5% std.  
Independent Linearity  
±0.25%  
Effective Electrical Angle  
3600° -10° min.  
Absolute Minimum Resistance  
0.2% or 2 ohms max.  
(whichever is greater)  
Noise  
100 ohms ENR max.  
Insulation Resistance  
500 vdc  
1,000 Megohms min.  
Dielectric Withstanding Voitage  
101.3 kPa 900 vac

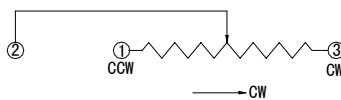
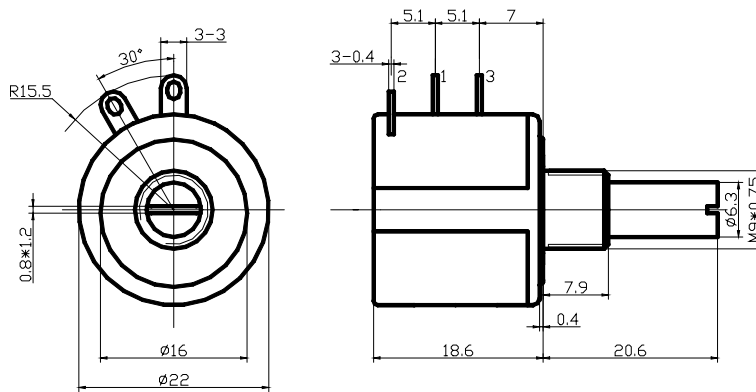
## Environmental Characteristics

Power Rating (500 volts max.)  
2 watt (70°C) , 0 watt (125°C)  
Temperature Range  
-55°C to +125°C  
Temperature Coefficient  
±100ppm/°C  
Vibration  
98 m/s<sup>2</sup>  
(1% Δ TR; 1% Δ VR)  
Shock  
490 m/s<sup>2</sup>  
(1% Δ TR; 1% Δ VR)  
Load Life  
1,000 hours 2 watt @ 70°C  
(2% Δ TR)  
Rotational Life (no load)  
1,000,000 shaft revolutions  
Total Resistance shift  
±5% Max

## Physical Characteristics

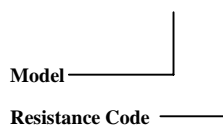
Torque  
36 mN • m max.  
Stop Strength  
300 mN • m min.  
Mechanical angle  
3600° -10° min.  
Standard Packaging  
10 or 25 pcs. per box

## WXD3540 Dimensions



## How to order

WXD3540—101



## Standard Resistance Table

Resistance (Ohms)	Resistance Code
100	101
200	201
500	501
1,000	102
2,000	202
5,000	502
10,000	103
20,000	203
50,000	503
100,000	104

Special resistance available.