

MOTTO SMD Power Inductors (WBD4D8 Series)

迈翔贴片功率电感 WBD4D28 系列



Motto **WBD4D28 Series**, Various high power inductors are superior to be high saturation for surface mounting.

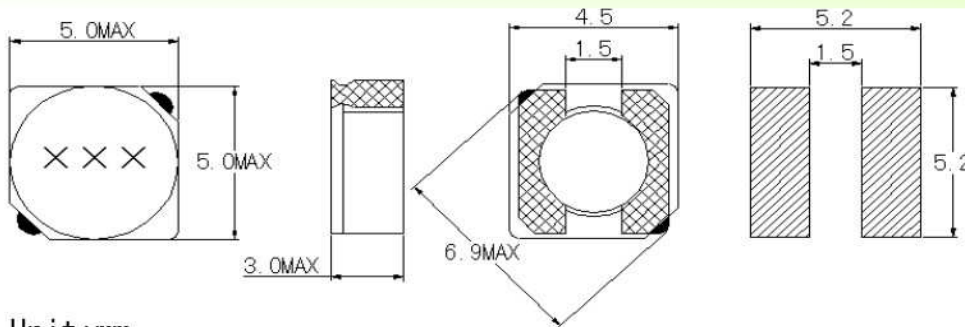
Mainly used by power supply for VRT, OA equipment digital camera, LCD television set notebook PC, partable communication equipments, DC/DC converters, etc.

Product Identification

<u>WBD</u>	<u>4D28</u>	—	<u>1R0</u>	<u>M</u>	<u>R</u>
①	②		③	④	⑤

- ① MOTTO SERIES NAME
- ② DIMENSIONS
- ③ INDUCTANCE
- ④ TOLERANCE CODE(J:±5% K:±10% L:±15% M:±20% P:±25% N:±30%)
- ⑤ PACKING CODE(R-TAPE B-BULK)

Shaps And Dimensions



Electrical Characteristics

MOTTO Part No	L(uH)	DCR max (mΩ)	IDC max (A)
WBD4D28-1R2N	1.2	24	2.56
WBD4D28-1R8N	1.8	28	2.20
WBD4D28-2R2N	2.2	31	2.04
WBD4D28-2R7N	2.7	43	1.60
WBD4D28-3R3N	3.3	49	1.57
WBD4D28-3R9N	3.9	65	1.44
WBD4D28-4R7N	4.7	72	1.32
WBD4D28-5R6N	5.6	101	1.17
WBD4D28-6R8N	6.8	109	1.12
WBD4D28-8R2N	8.2	118	1.04
WBD4D28-100N	10	128	1.00
WBD4D28-150N	15	149	0.76
WBD4D28-180N	18	166	0.72
WBD4D28-220N	22	235	0.70
WBD4D28-270N	27	261	0.58
WBD4D28-330N	33	378	0.56
WBD4D28-390N	39	384	0.50
WBD4D28-470N	47	587	0.48
WBD4D28-560N	56	625	0.41
WBD4D28-680N	68	699	0.35
WBD4D28-820N	82	915	0.32
WBD4D28-101N	100	1020	0.29
WBD4D28-151N	150	1350	0.24
WBD4D28-181N	180	1540	0.22

1. Inductance tested at 100KHZ, 0.1V
2. SRF > 13MHZ measured using agilent / HP8753D network analyzer
3. Inductance drop = 35% typ. at rated isat
4. ΔT = 40°C rise typ. at irms
5. Operating temperature range -40°C to +125°C
6. Electrical specifications at +25°C

Packing;
Reel size: 12mm
Quantity: 2000pcs/Reel

Special inquiries besides the above common used types can be met on your requirement.

SHENZHEN MOTTO TECHNOLOGY CO., LTD

10 Floor, E Building, Jinbolong Industrial Park, Qingquan Road, Longhua Town, Baoan District, Shenzhen
TEL: 0755-33693505 33693506 33693526 FAX: 0755-61624574 <http://www.mottotech.com> E-mail: sales@mottotech.com