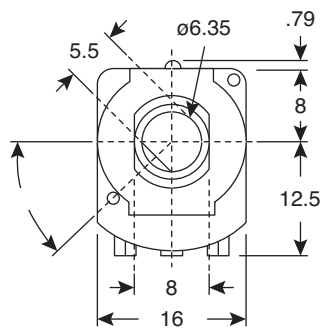
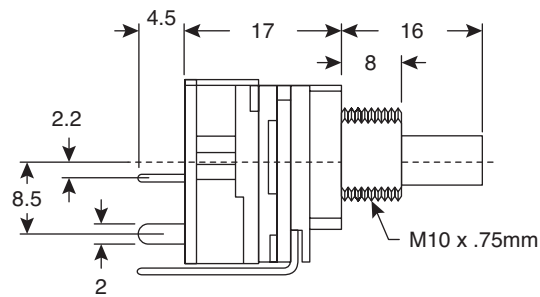
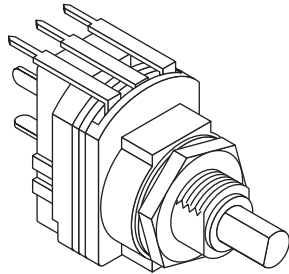




16mm Potentiometer RV16CF-40-16-F1XXX

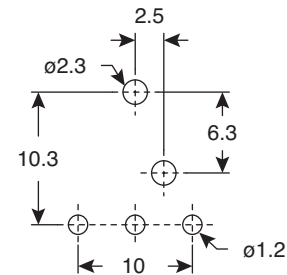


Shaft Shown in
Full C.C.W. Position



RoHS Compliant

Dimensions: mm



PCB Hole Layout

Specifications:

- Taper: Linear
- Type: 16mm PC Mount w/SPST Switch
- Rated Wattage: 0.2W
- Rated Voltage: 200V
- Tolerance: $\pm 20\%$
- Insulation Resistance: $>100M\Omega$ @ 500VDC
- Breakdown Voltage: 1000VAC for 1 minute
- Switch Contact Resistance: $<100m\Omega$
- Switch Rating: 250VDC 10A
- Rotation Life: 100,000 cycles
- Switch Life: 10,000 times
- Total Rotation Angle: $270^\circ \pm 5^\circ$
- Rotation Torque: 20~200g/cm
- Shaft Stop Strength: 4Kg/cm min.
- Switch Working Angle: 40° max.
- Switch Working Torque: 200~600gf-cm
- Shaft: "D" type, Nylon
- RoHS Compliant

Tol. Unless Otherwise Stated		
Less Than	10	± 0.3
Above	10-30	± 0.5
Above	30~100	± 1.0
Above	- - -	$\pm 5^\circ$

Alpha Part Number	Value Ω	Taper
RV16CF-40-16-F1-B53	5K	Linear
RV16CF-40-16-F1-B10K	10K	Linear
RV16CF-40-16-F1-B54	50K	Linear
RV16CF-40-16-F1-B55	500K	Linear

Mouser Electronics

Authorized Distributor

Click to View Pricing, Inventory, Delivery & Lifecycle Information:

[Alpha \(Taiwan\):](#)

[RV16CF-40-16 F1-B53](#) [RV16CF-40-16 F1-B10K](#) [RV16C-40-16 F1-B53](#) [RV16C-40-16 F1-B14](#) [RV16C-40-16 F1-B54](#)
[RV16CF-40-16 F1-B54](#) [RV16CF-40-16 F1-B55](#)