

SPECIFICATION

Current Rate:1 AMP

Insulation Resistance:5000M Ω Min

Contact Resistance:20m Ω Max

Dielectric voltage:500V AC for one minute

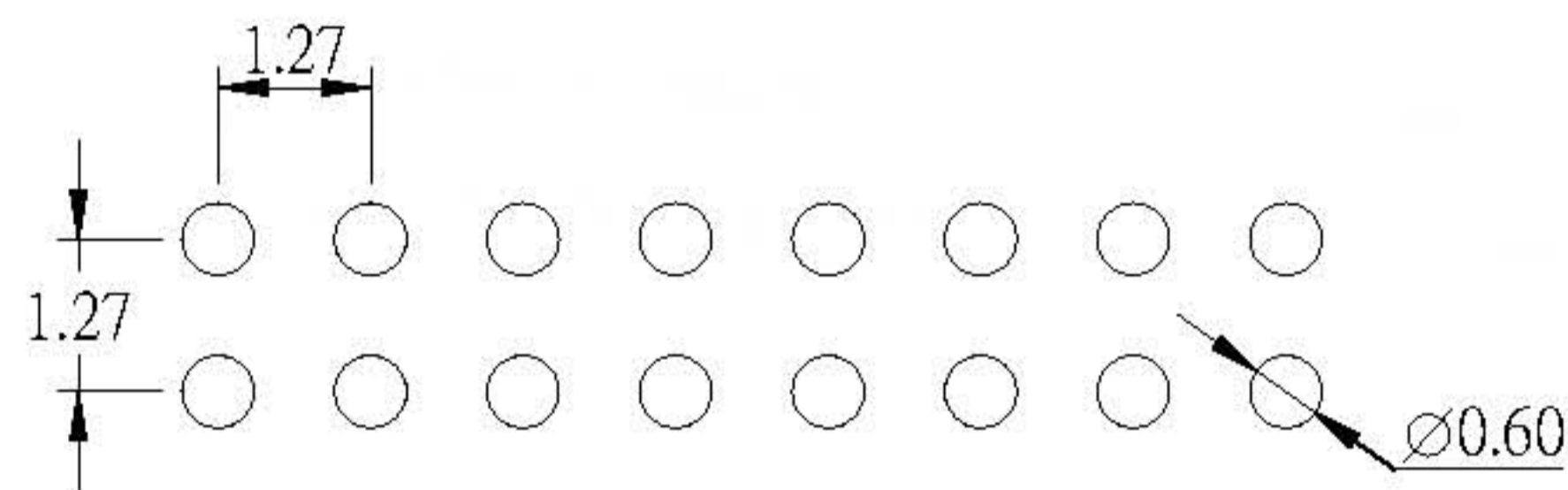
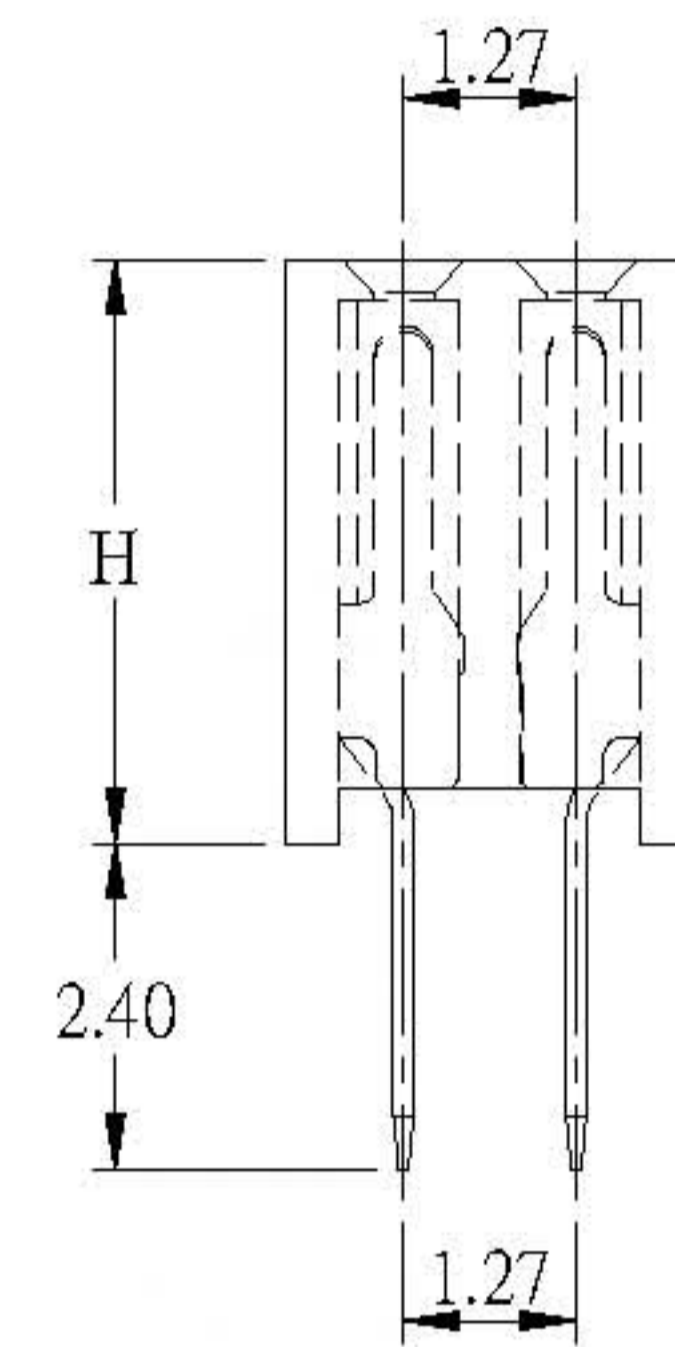
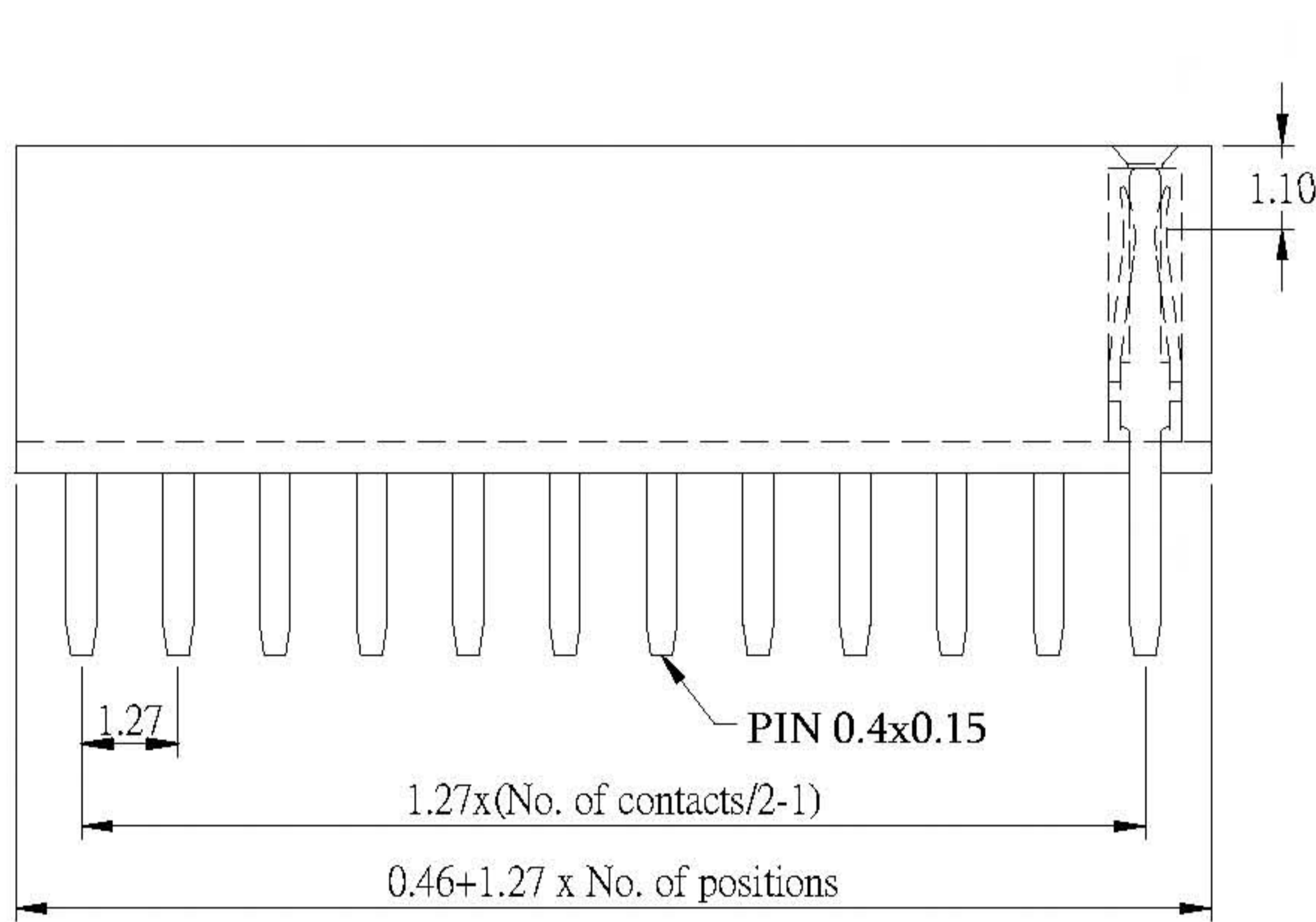
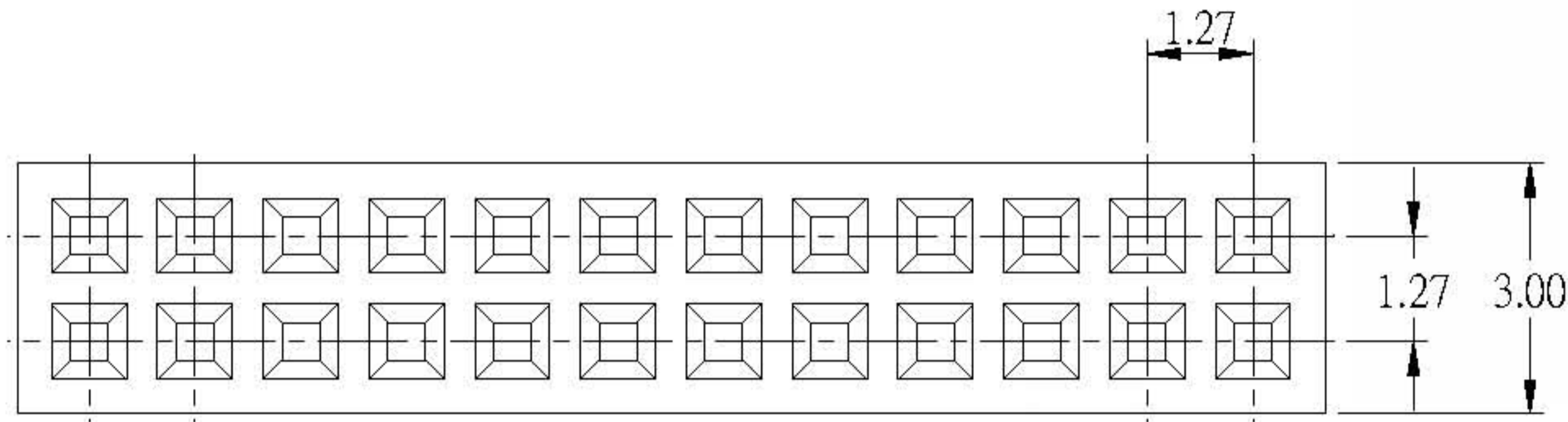
Operation Temperature:-40°C to +105°C

Max Processing Temp:230°C for 15 seconds

MATERIAL

Insulator:Nylon 6T or LCP(UL 94V-0)

Contact Pin:Phosphor Bronze



Recommended PCB Layout
(PCB TOLERANCE ± 0.05)

