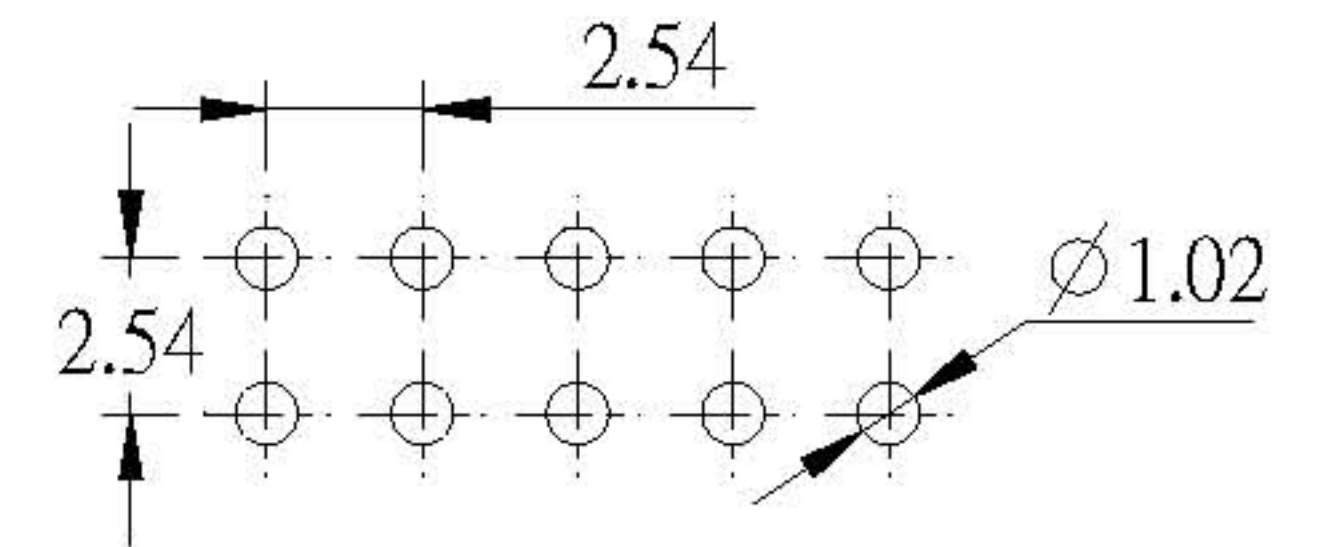
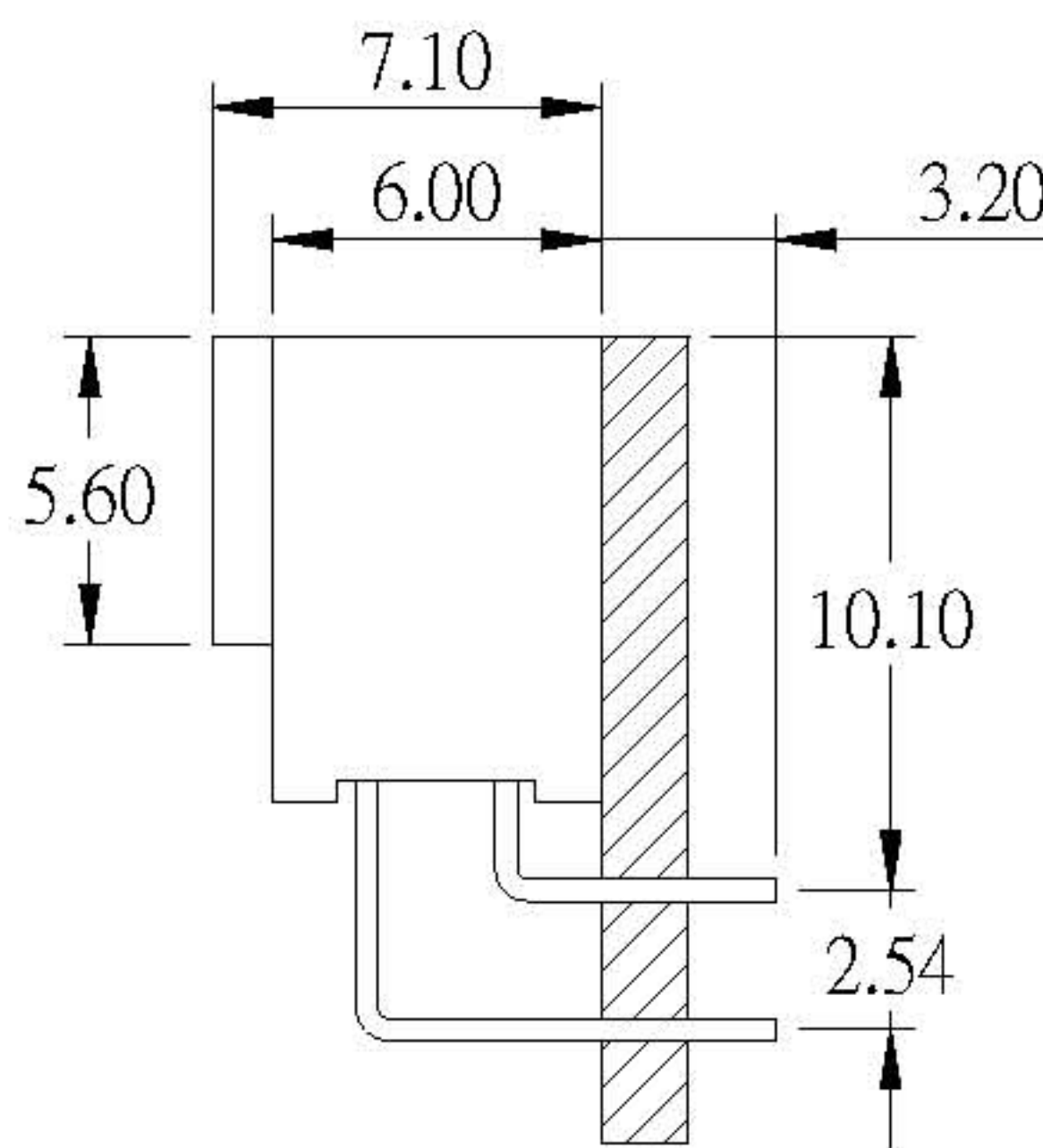
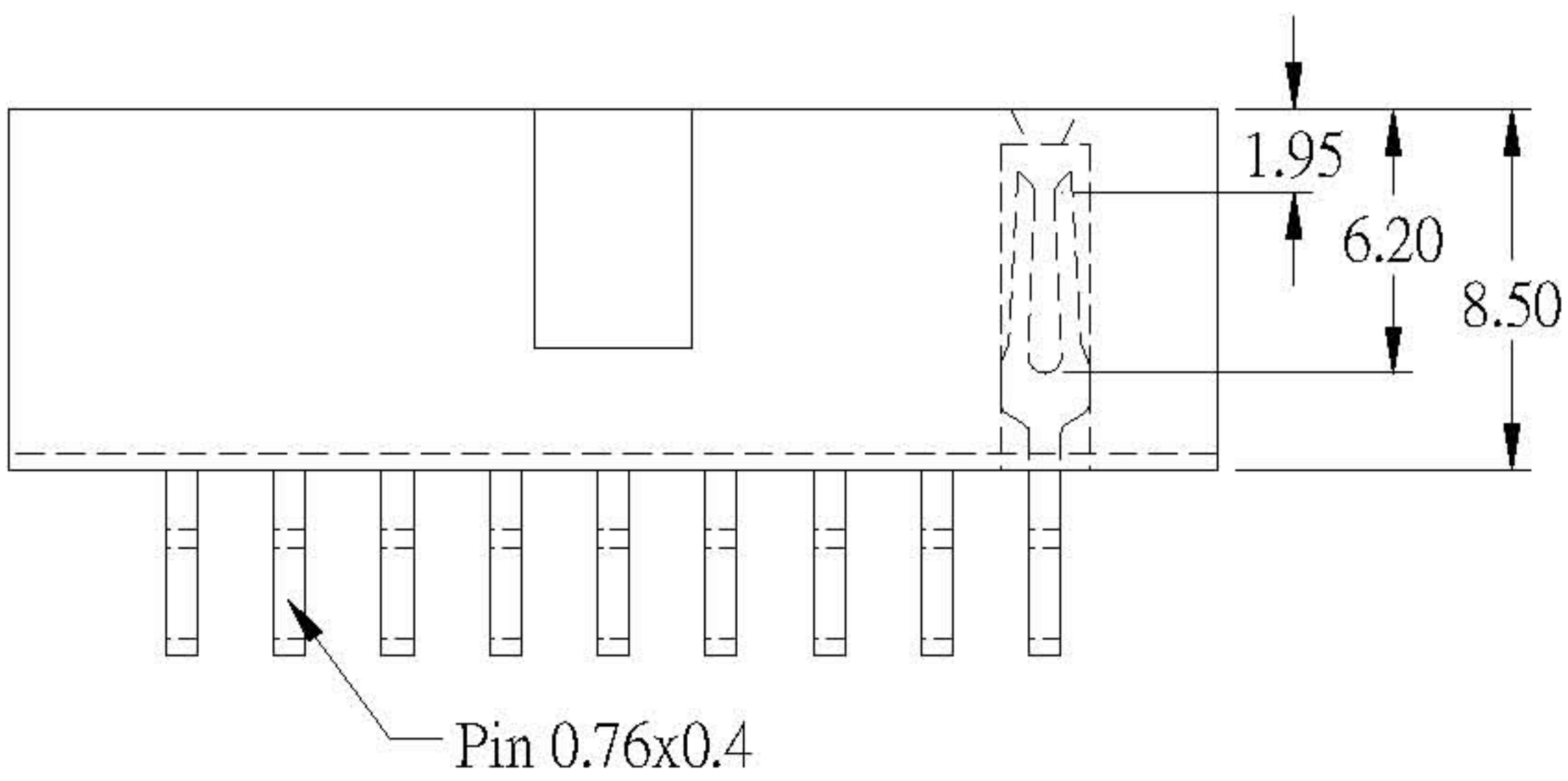
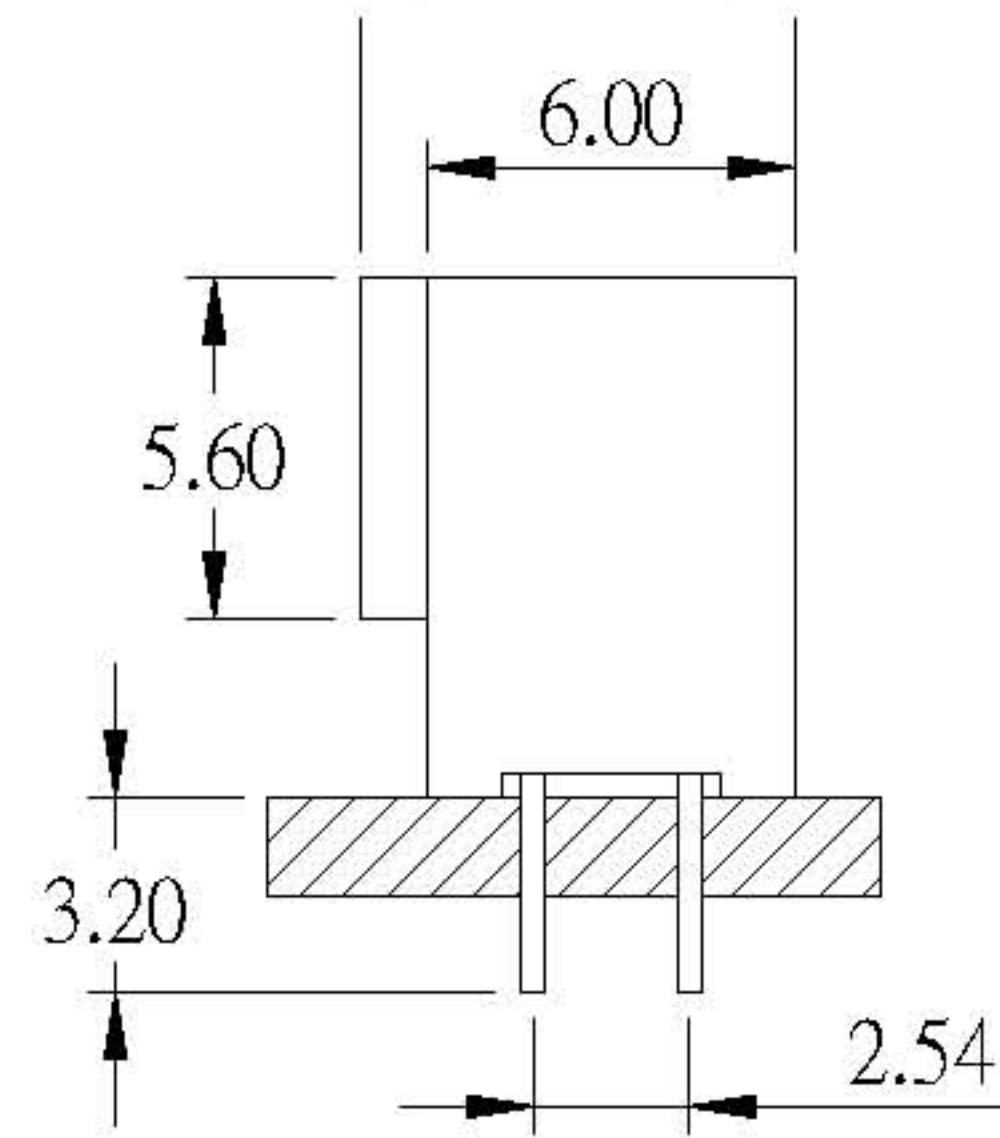
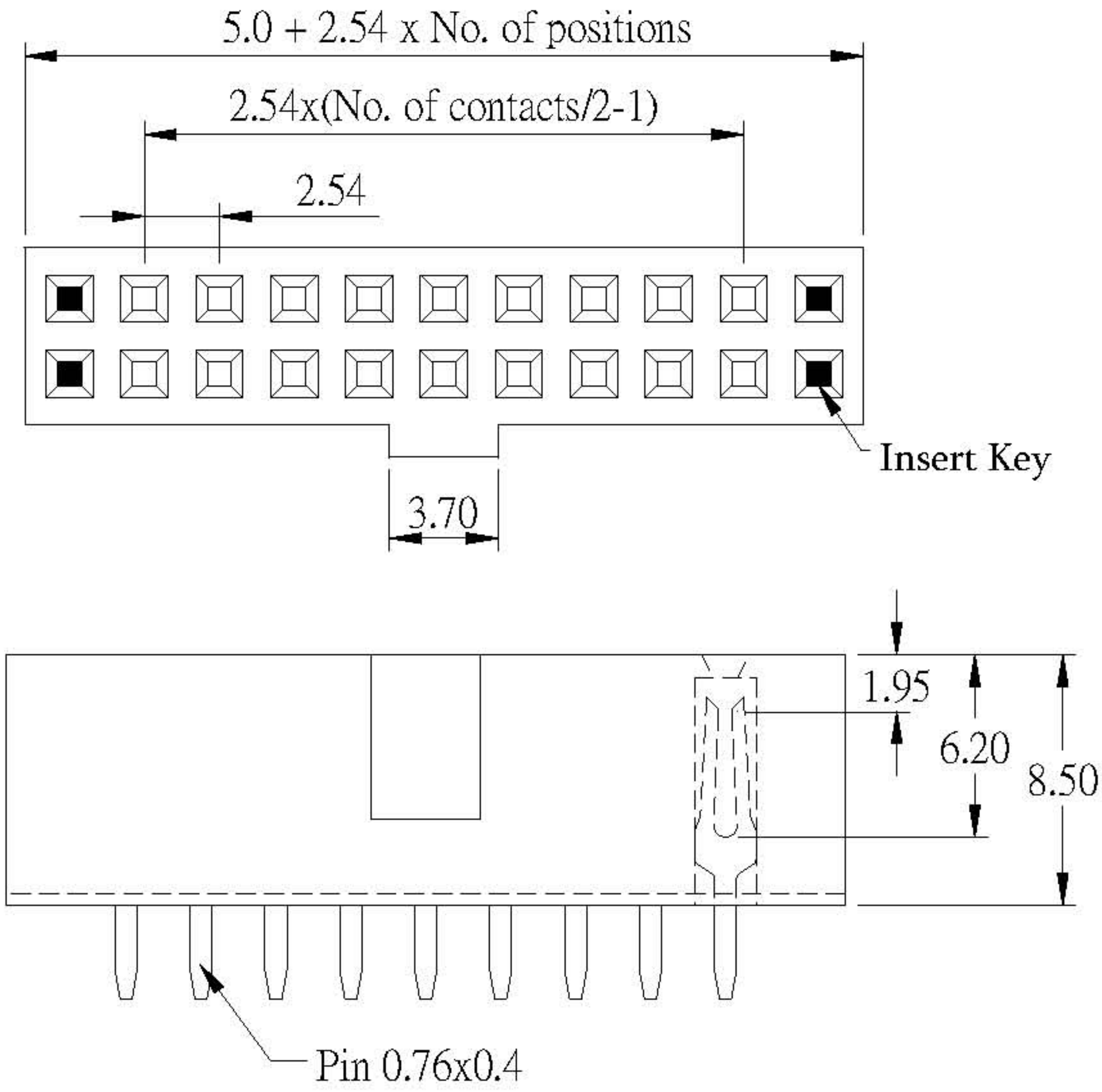


SPECIFICATION

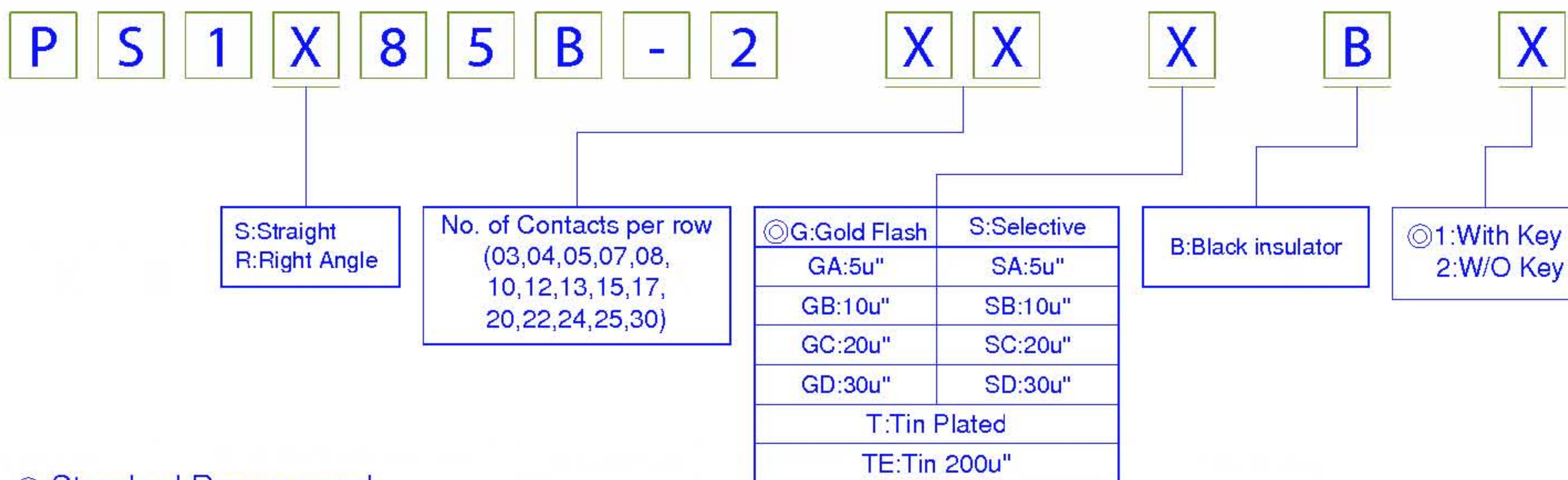
Current Rate: 3 AMP
 Insulation Resistance: 5000M Ω Min.
 Contact Resistance: 20m Ω Max.
 Dielectric Voltage: 100V AC for one minute
 Operation Temperature: -40°C to +105°C

MATERIAL

Insulator Material: Polyester, UL 94V-0
 ©Standard: P.B.T
 Contact Material: Phosphor Bronze
 Finish: Gold plated
 ©Standard: Gold flash all over



Recommended PCB Layout
 (PCB TOLERANCE ± 0.05)



©: Standard Recommend