

- \* RoHS Compliant
- \* ISO 9001:2000 Registered
- \* Discoidal Capacitor Construction

### = inches  
 (###) = mm

PART NUMBER	EMI P/N	CAP. (pF)	COLOR DOT(S)	MAX. WVDC	DC AMPS	MINIMUM NO LOAD INSERTION LOSS				
						1 MHz	10 MHz	100 MHz	1 GHz	10 GHz
	M3C000D	0	NONE	200	10					
	M3C050D	5	2 ORANGE	200	10					
	M3C100D	10	VIOLET	200	10				5	20
	M3C250D	25	BLUE	200	10				10	25
	M3C101D	100	GREEN	200	10			3	20	28
	M3C501D	500	BROWN	200	10			15	35	40
	M3C102D	1000	WHITE	200	10		5	20	35	45
	M3C122D	1200	WHITE	200	10		5	20	35	45
	M3C152D	1500	WHITE	200	10		7	23	37	47
	M3C272D	2700	RED	200	10	5	10	25	40	50
	M3C502B	5000	YELLOW	100	10	5	15	30	45	55
	M3C103B	10,000	2 WHITE	100	10	6	20	35	50	60
	M3C153B	15,000	2 WHITE	100	10	8	21	35	55	60
	M3C273A	27,000	2 RED	50	10	10	28	42	65	65
	M3C333A	33,000	2 RED	50	10	11	30	44	65	65

CAPACITANCE TOLERANCE: +100/-0%  
 DISSIPATION FACTOR: 3.5% MAX.  
 INSULATION RESISTANCE: 25° C=1000 MΩμF Min.  
 125° C= 100 MΩμF Min.  
 DIELECTRIC STRENGTH (DWV): 250% of WVDC (5 seconds)  
 OPERATING TEMPERATURE: -55° C to +125° C  
 TEMPERATURE CHARACTERISTIC: X7R or better  
 MARKING: Color Dot standard per chart  
 MAXIMUM MOUNTING TORQUE: 2.0 in\*lbs  
 INSTALLATION TEMPERATURE: N/A

DIMENSION TOLERANCE:  
 CASE: +/- .010" (.250mm)  
 LEAD LENGTH: +/- .030" (.762mm)  
 LEAD DIAMETER: +/- .002" (.051mm)

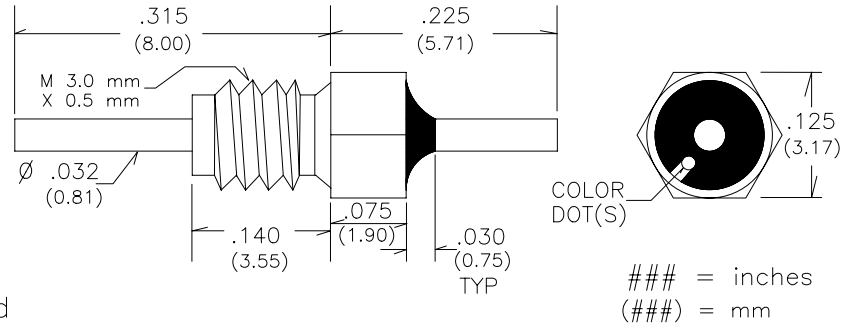
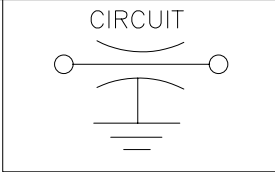
MATERIAL AND FINISH:  
 CASE: C12L14 CRS  
 LEAD: Copper (1/2 Hard)  
 FINISH: Silver per QQ-S-365

VENDOR:  
 EMI Filter Company  
 12750 59th Way N.  
 Clearwater, FL 33760  
 (727) 585-7990  
 (727) 586-5138 Fax  
 www.emifiltercompany.com

FILTERS, EMI, MINIATURE  
 M 3.0 mm X 0.5 mm THREADED BODY

FSCM NO.	DWG NO.	REV
	M3Cs REVB	B

M3C000D  
MINI M3.0x0.5mm  
"0pF" Cap. Feed-Thru



- \* RoHS Compliant
- \* ISO 9001:2000 Registered
- \* Discoidal Capacitor Construction

### = inches  
(###) = mm

PART NUMBER	EMI P/N	CAP. (pF)	COLOR DOT(S)	MAX. WVDC	DC AMPS	MINIMUM NO LOAD INSERTION LOSS				
						1 MHz	10 MHz	100 MHz	1 GHz	10 GHz
M3C000D		0	NONE	200	10	---	---	---	---	---

**ELECTRICAL**

CAPACITANCE TOLERANCE: +100/-0%  
 DISSIPATION FACTOR: 3.5% MAX.  
 INSULATION RESISTANCE:  
 25 °C=1000 M $\Omega$  $\mu$ F Min.  
 125° C=100 M $\Omega$  $\mu$ F Min.  
 DIELECTRIC STRENGTH (DWV):  
 250% of WVDC (5 seconds)  
 TEMPERATURE CHARACTERISTIC:  
 X7R or better

**PHYSICAL**

DIMENSION TOLERANCE:  
 CASE LENGTH: +/- .010" (.250mm)  
 LEAD LENGTH: +/- .030" (.762mm)  
 LEAD DIAMETER: +/- .002" (.051mm)  
 MATERIAL AND FINISH:  
 CASE: C12L14 CRS  
 LEAD: Copper (1/2 Hard)  
 FINISH: Silver per QQ-S-365

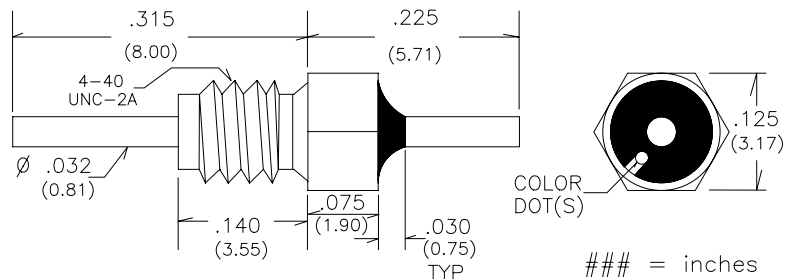
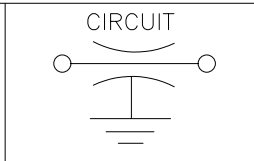
**IDENTIFICATION & LIMITS**

MARKING: Color Dot standard per chart  
 OPERATING TEMP: -55 °C to +125 °C  
 INSTALLATION TEMP: N/A  
 MAXIMUM MOUNTING TORQUE: 2.0 in\*lbs

VENDOR:  
 EMI Filter Company  
 12750 59th Way N.  
 Clearwater, FL 33760  
 (727) 585-7990  
 (727) 586-5138 Fax  
 www.emifiltercompany.com

FILTERS, EMI, MINIATURE		
M 3.0 mm X 0.5 mm THREADED BODY		
FSCM NO.	DWG NO.	REV
	M3C000D REVB	B

B3C050D  
 MINI 4-40  
 "5" pF Cap. Feed-Thru



- \* RoHS Compliant
- \* ISO 9001:2000 Registered
- \* Discoidal Capacitor Construction

PART NUMBER	EMI P/N	CAP. (pF)	COLOR DOT(S)	MAX. WVDC	DC AMPS	MINIMUM NO LOAD INSERTION LOSS				
						1 MHz	10 MHz	100 MHz	1 GHz	10 GHz
B3C050D		5	2 ORANGE	200	10	-	-	-	-	-

**ELECTRICAL**

CAPACITANCE TOLERANCE: +100/-0%  
 DISSIPATION FACTOR: 3.5% MAX.  
 INSULATION RESISTANCE:  
   25 °C=1000 MΩμF Min.  
   125 °C=100 MΩμF Min.  
 DIELECTRIC STRENGTH (DWV):  
   250% of WVDC (5 seconds)  
 TEMPERATURE CHARACTERISTIC:  
   X7R or better

**PHYSICAL**

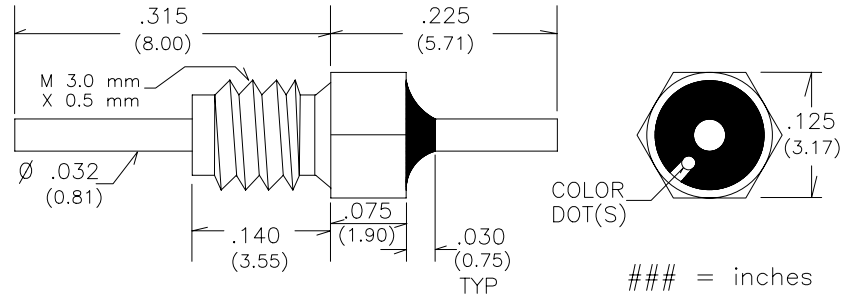
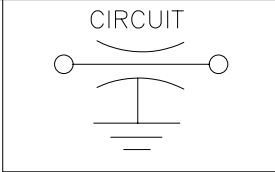
DIMENSION TOLERANCE:  
 CASE LENGTH: +/- .010" (.250mm)  
 LEAD LENGTH: +/- .030" (.762mm)  
 LEAD DIAMETER: +/- .002" (.051mm)  
 MATERIAL AND FINISH:  
 CASE: C12L14 CRS  
 LEAD: Copper (1/2 Hard)  
 FINISH: Silver per QQ-S-365

**IDENTIFICATION & LIMITS**

MARKING: Color Dot standard per chart  
 OPERATING TEMP: -55 °C to +125 °C  
 INSTALLATION TEMP: N/A  
 MAXIMUM MOUNTING TORQUE: 2.0 in\*lbs

VENDOR: EMI Filter Company 12750 59th Way N Clearwater, FL 33760 (727) 585-7990 (727) 586-5138 Fax <a href="http://www.emifiltercompany.com">www.emifiltercompany.com</a>			<b>FILTER, EMI, MINIATURE,          4-40 THREADED BODY</b>		
FSCM NO.	DWG NO.	REV			
	B3C050D REV B	B			

M3C100D  
MINI M3.0x0.5mm  
10pF Cap. Feed-Thru



- \* RoHS Compliant
- \* ISO 9001:2000 Registered
- \* Discoidal Capacitor Construction

### = inches  
(###) = mm

PART NUMBER	EMI P/N	CAP. (pF)	COLOR DOT(S)	MAX. WVDC	DC AMPS	MINIMUM NO LOAD INSERTION LOSS				
						1 MHz	10 MHz	100 MHz	1 GHz	10 GHz
M3C100D		10	VIOLET	200	10	---	---	---	5	20

ELECTRICAL

CAPACITANCE TOLERANCE: +100/-0%  
 DISSIPATION FACTOR: 3.5% MAX.  
 INSULATION RESISTANCE:  
 25 °C=1000 M $\Omega$  $\mu$ F Min.  
 125 °C=100 M $\Omega$  $\mu$ F Min.  
 DIELECTRIC STRENGTH (DWV):  
 250% of WVDC (5 seconds)  
 TEMPERATURE CHARACTERISTIC:  
 X7R or better

PHYSICAL

DIMENSION TOLERANCE:  
 CASE LENGTH: +/- .010" (.250mm)  
 LEAD LENGTH: +/- .030" (.762mm)  
 LEAD DIAMETER: +/- .002" (.051mm)  
 MATERIAL AND FINISH:  
 CASE: C12L14 CRS  
 LEAD: Copper (1/2 Hard)  
 FINISH: Silver per QQ-S-365

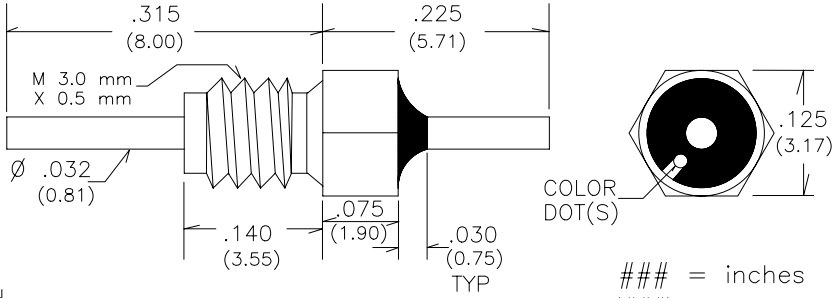
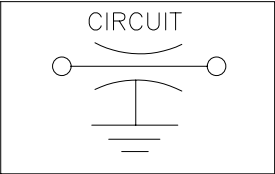
IDENTIFICATION & LIMITS

MARKING: Color Dot standard per chart  
 OPERATING TEMP: -55 °C to +125 °C  
 INSTALLATION TEMP: N/A  
 MAXIMUM MOUNTING TORQUE: 2.0 in\*lbs

VENDOR:  
 EMI Filter Company  
 12750 59th Way N.  
 Clearwater, FL 33760  
 (727) 585-7990  
 (727) 586-5138 Fax  
 www.emifiltercompany.com

FILTERS, EMI, MINIATURE		
M 3.0 mm X 0.5 mm THREADED BODY		
FSCM NO.	DWG NO.	REV
	M3C100D REVB	B

M3C250D  
MINI M3.0x0.5mm  
25pF Cap. Feed-Thru



- \* RoHS Compliant
- \* ISO 9001:2000 Registered
- \* Discoidal Capacitor Construction

### = inches  
(###) = mm

PART NUMBER	EMI P/N	CAP. (pF)	COLOR DOT(S)	MAX. WVDC	DC AMPS	MINIMUM NO LOAD INSERTION LOSS				
						1 MHz	10 MHz	100 MHz	1 GHz	10 GHz
M3C250D		25	BLUE	200	10	---	---	---	10	25

ELECTRICAL

CAPACITANCE TOLERANCE: +100/-0%  
 DISSIPATION FACTOR: 3.5% MAX.  
 INSULATION RESISTANCE:  
 25 °C=1000 MΩμ F Min.  
 125 °C=100 MΩμ F Min.  
 DIELECTRIC STRENGTH (DWV):  
 250% of WVDC (5 seconds)  
 TEMPERATURE CHARACTERISTIC:  
 X7R or better

PHYSICAL

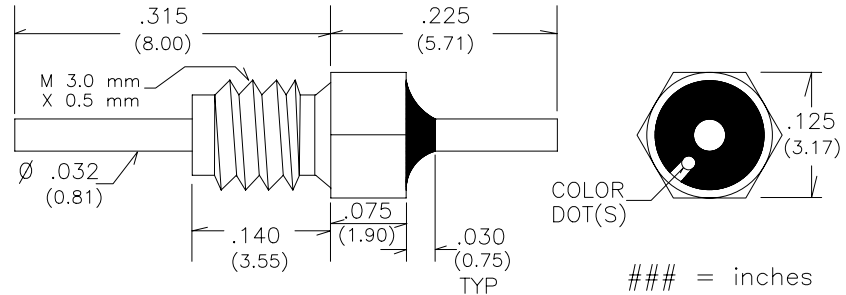
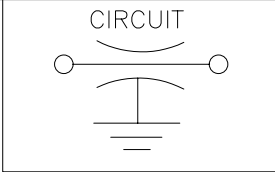
DIMENSION TOLERANCE:  
 CASE LENGTH: +/- .010" (.250mm)  
 LEAD LENGTH: +/- .030" (.762mm)  
 LEAD DIAMETER: +/- .002" (.051mm)  
 MATERIAL AND FINISH:  
 CASE: C12L14 CRS  
 LEAD: Copper (1/2 Hard)  
 FINISH: Silver per QQ-S-365

IDENTIFICATION & LIMITS

MARKING: Color Dot standard per chart  
 OPERATING TEMP: -55 °C to +125 °C  
 INSTALLATION TEMP: N/A  
 MAXIMUM MOUNTING TORQUE: 2.0 in\*lbs

VENDOR: EMI Filter Company 12750 59th Way N. Clearwater, FL 33760 (727) 585-7990 (727) 586-5138 Fax www.emifiltercompany.com		FILTERS, EMI, MINIATURE M 3.0 mm X 0.5 mm THREADED BODY		
FSCM NO.	DWG NO. M3C250D REVB	REV B		

M3C101D  
MINI M3.0x0.5mm  
100pF Cap. Feed-Thru



- \* RoHS Compliant
- \* ISO 9001:2000 Registered
- \* Discoidal Capacitor Construction

### = inches  
(###) = mm

PART NUMBER	EMI P/N	CAP. (pF)	COLOR DOT(S)	MAX. WVDC	DC AMPS	MINIMUM NO LOAD INSERTION LOSS				
						1 MHz	10 MHz	100 MHz	1 GHz	10 GHz
M3C101D		100	GREEN	200	10	---	---	3	20	28

ELECTRICAL

CAPACITANCE TOLERANCE: +100/-0%  
 DISSIPATION FACTOR: 3.5% MAX.  
 INSULATION RESISTANCE:  
 25 °C=1000 MΩμ F Min.  
 125 °C=100 MΩμ F Min.  
 DIELECTRIC STRENGTH (DWV):  
 250% of WVDC (5 seconds)  
 TEMPERATURE CHARACTERISTIC:  
 X7R or better

PHYSICAL

DIMENSION TOLERANCE:  
 CASE LENGTH: +/- .010" (.250mm)  
 LEAD LENGTH: +/- .030" (.762mm)  
 LEAD DIAMETER: +/- .002" (.051mm)  
 MATERIAL AND FINISH:  
 CASE: C12L14 CRS  
 LEAD: Copper (1/2 Hard)  
 FINISH: Silver per QQ-S-365

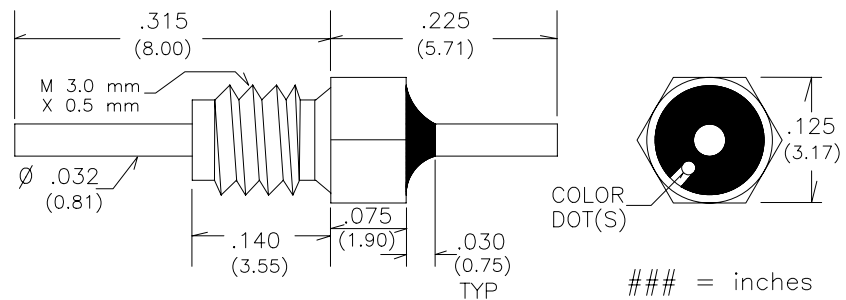
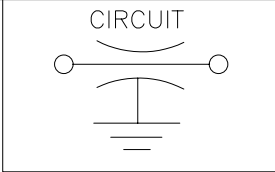
IDENTIFICATION & LIMITS

MARKING: Color Dot standard per chart  
 OPERATING TEMP: -55 °C to +125 °C  
 INSTALLATION TEMP: N/A  
 MAXIMUM MOUNTING TORQUE: 2.0 in\*lbs

VENDOR:  
 EMI Filter Company  
 12750 59th Way N.  
 Clearwater, FL 33760  
 (727) 585-7990  
 (727) 586-5138 Fax  
 www.emifiltercompany.com

FILTERS, EMI, MINIATURE		
M 3.0 mm X 0.5 mm THREADED BODY		
FSCM NO.	DWG NO.	REV
	M3C101D REVB	B

M3C501D  
 MINI M3.0x0.5mm  
 500pF Cap. Feed-Thru



- \* RoHS Compliant
- \* ISO 9001:2000 Registered
- \* Discoidal Capacitor Construction

### = inches  
 (###) = mm

PART NUMBER	EMI P/N	CAP. (pF)	COLOR DOT(S)	MAX. WVDC	DC AMPS	MINIMUM NO LOAD INSERTION LOSS				
						1 MHz	10 MHz	100 MHz	1 GHz	10 GHz
M3C501D		500	BROWN	200	10	---	---	15	35	40

ELECTRICAL

CAPACITANCE TOLERANCE: +100/-0%  
 DISSIPATION FACTOR: 3.5% MAX.  
 INSULATION RESISTANCE:  
 25 °C=1000 M $\Omega$  $\mu$ F Min.  
 125 °C=100 M $\Omega$  $\mu$ F Min.  
 DIELECTRIC STRENGTH (DWV):  
 250% of WVDC (5 seconds)  
 TEMPERATURE CHARACTERISTIC:  
 X7R or better

PHYSICAL

DIMENSION TOLERANCE:  
 CASE LENGTH: +/- .010" (.250mm)  
 LEAD LENGTH: +/- .030" (.762mm)  
 LEAD DIAMETER: +/- .002" (.051mm)  
 MATERIAL AND FINISH:  
 CASE: C12L14 CRS  
 LEAD: Copper (1/2 Hard)  
 FINISH: Silver per QQ-S-365

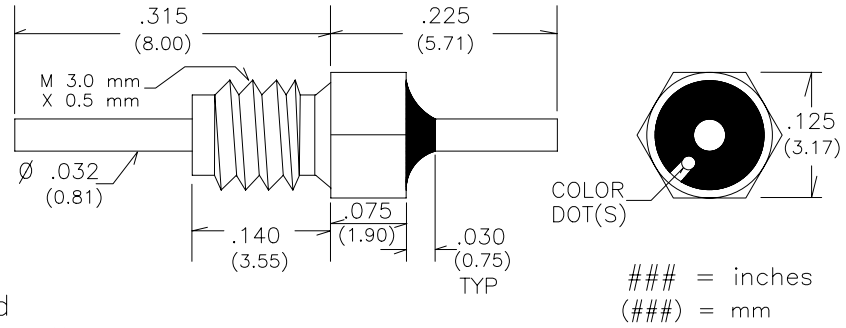
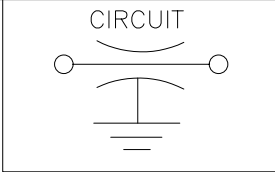
IDENTIFICATION & LIMITS

MARKING: Color Dot standard per chart  
 OPERATING TEMP: -55 °C to +125 °C  
 INSTALLATION TEMP: N/A  
 MAXIMUM MOUNTING TORQUE: 2.0 in\*lbs

VENDOR:  
 EMI Filter Company  
 12750 59th Way N.  
 Clearwater, FL 33760  
 (727) 585-7990  
 (727) 586-5138 Fax  
 www.emifiltercompany.com

FILTERS, EMI, MINIATURE		
M 3.0 mm X 0.5 mm THREADED BODY		
FSCM NO.	DWG NO.	REV
	M3C501D REVB	B

M3C102D  
MINI M3.0x0.5mm  
1,000pF Cap. Feed-Thru



- \* RoHS Compliant
- \* ISO 9001:2000 Registered
- \* Discoidal Capacitor Construction

PART NUMBER	EMI P/N	CAP. (pF)	COLOR DOT(S)	MAX. WVDC	DC AMPS	MINIMUM NO LOAD INSERTION LOSS				
						1 MHz	10 MHz	100 MHz	1 GHz	10 GHz
M3C102D		1,000	WHITE	200	10	---	5	20	35	45

**ELECTRICAL**

CAPACITANCE TOLERANCE: +100/-0%  
 DISSIPATION FACTOR: 3.5% MAX.  
 INSULATION RESISTANCE:  
     25 °C=1000 MΩμF Min.  
     125 °C=100 MΩμF Min.  
 DIELECTRIC STRENGTH (DWV):  
     250% of WVDC (5 seconds)  
 TEMPERATURE CHARACTERISTIC:  
     X7R or better

**PHYSICAL**

DIMENSION TOLERANCE:  
 CASE LENGTH: +/- .010" (.250mm)  
 LEAD LENGTH: +/- .030" (.762mm)  
 LEAD DIAMETER: +/- .002" (.051mm)  
 MATERIAL AND FINISH:  
 CASE: C12L14 CRS  
 LEAD: Copper (1/2 Hard)  
 FINISH: Silver per QQ-S-365

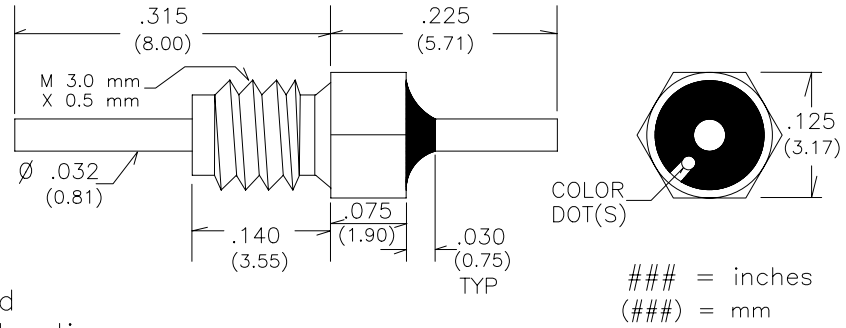
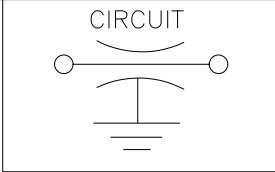
**IDENTIFICATION & LIMITS**

MARKING: Color Dot standard per chart  
 OPERATING TEMP: -55 °C to +125 °C  
 INSTALLATION TEMP: N/A  
 MAXIMUM MOUNTING TORQUE: 2.0 in\*lbs

VENDOR:  
 EMI Filter Company  
 12750 59th Way N.  
 Clearwater, FL 33760  
 (727) 585-7990  
 (727) 586-5138 Fax  
 www.emifiltercompany.com

FILTERS, EMI, MINIATURE		
M 3.0 mm X 0.5 mm THREADED BODY		
FSCM NO.	DWG NO.	REV
	M3C102D REVB	B

M3C122D  
MINI M3.0x0.5mm  
1,200pF Cap. Feed-Thru



- \* RoHS Compliant
- \* ISO 9001:2000 Registered
- \* Discoidal Capacitor Construction

PART NUMBER	EMI P/N	CAP. (pF)	COLOR DOT(S)	MAX. WVDC	DC AMPS	MINIMUM NO LOAD INSERTION LOSS				
						1 MHz	10 MHz	100 MHz	1 GHz	10 GHz
M3C122D		1,200	WHITE	200	10	---	5	20	35	45

ELECTRICAL

CAPACITANCE TOLERANCE: +100/-0%

DISSIPATION FACTOR: 3.5% MAX.

INSULATION RESISTANCE:  
25 °C=1000 MΩμF Min.  
125° C=100 MΩμF Min.

DIELECTRIC STRENGTH (DWV):  
250% of WVDC (5 seconds)

TEMPERATURE CHARACTERISTIC:  
X7R or better

PHYSICAL

DIMENSION TOLERANCE:  
CASE LENGTH: +/- .010" (.250mm)  
LEAD LENGTH: +/- .030" (.762mm)  
LEAD DIAMETER: +/- .002" (.051mm)

MATERIAL AND FINISH:  
CASE: C12L14 CRS  
LEAD: Copper (1/2 Hard)  
FINISH: Silver per QQ-S-365

IDENTIFICATION & LIMITS

MARKING: Color Dot standard per chart

OPERATING TEMP: -55° C to +125° C

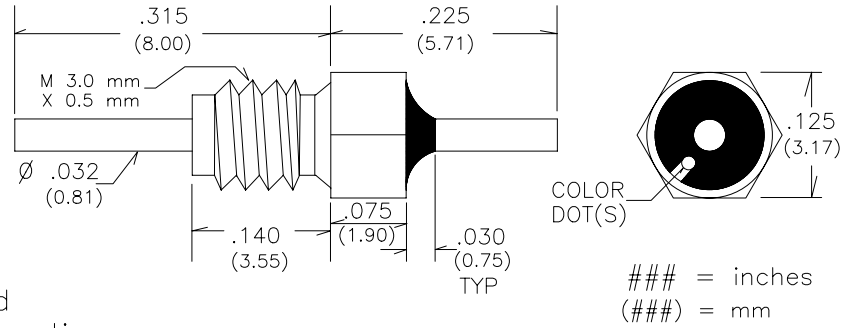
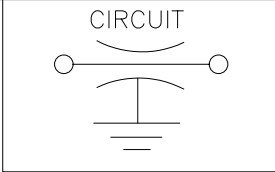
INSTALLATION TEMP: N/A

MAXIMUM MOUNTING TORQUE: 2.0 in\*lbs

VENDOR:  
EMI Filter Company  
12750 59th Way N.  
Clearwater, FL 33760  
(727) 585-7990  
(727) 586-5138 Fax  
www.emifiltercompany.com

FILTERS, EMI, MINIATURE		
M 3.0 mm X 0.5 mm THREADED BODY		
FSCM NO.	DWG NO. M3C122D REVB	REV B

M3C152D  
MINI M3.0x0.5mm  
1,500pF Cap. Feed-Thru



- \* RoHS Compliant
- \* ISO 9001:2000 Registered
- \* Discoidal Capacitor Construction

PART NUMBER	EMI P/N	CAP. (pF)	COLOR DOT(S)	MAX. WVDC	DC AMPS	MINIMUM NO LOAD INSERTION LOSS				
						1 MHz	10 MHz	100 MHz	1 GHz	10 GHz
M3C152D		1,500	WHITE	200	10	---	7	23	37	47

ELECTRICAL

CAPACITANCE TOLERANCE: +100/-0%  
 DISSIPATION FACTOR: 3.5% MAX.  
 INSULATION RESISTANCE:  
 25 °C=1000 MΩμ F Min.  
 125° C=100 MΩμ F Min.  
 DIELECTRIC STRENGTH (DWV):  
 250% of WVDC (5 seconds)  
 TEMPERATURE CHARACTERISTIC:  
 X7R or better

PHYSICAL

DIMENSION TOLERANCE:  
 CASE LENGTH: +/- .010" (.250mm)  
 LEAD LENGTH: +/- .030" (.762mm)  
 LEAD DIAMETER: +/- .002" (.051mm)  
 MATERIAL AND FINISH:  
 CASE: C12L14 CRS  
 LEAD: Copper (1/2 Hard)  
 FINISH: Silver per QQ-S-365

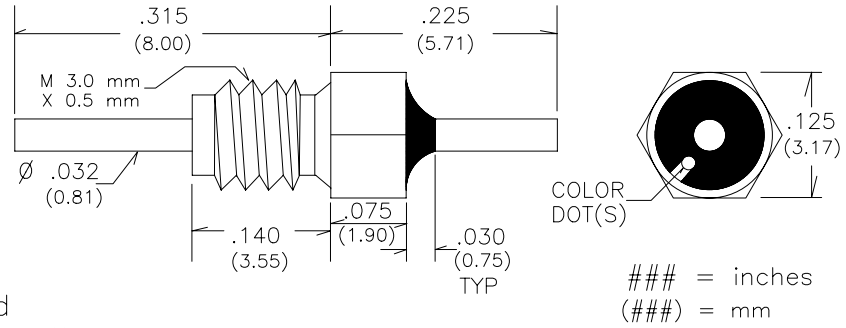
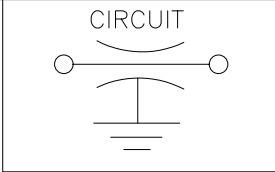
IDENTIFICATION & LIMITS

MARKING: Color Dot standard per chart  
 OPERATING TEMP: -55° C to +125° C  
 INSTALLATION TEMP: N/A  
 MAXIMUM MOUNTING TORQUE: 2.0 in\*lbs

VENDOR:  
 EMI Filter Company  
 12750 59th Way N.  
 Clearwater, FL 33760  
 (727) 585-7990  
 (727) 586-5138 Fax  
 www.emifiltercompany.com

FILTERS, EMI, MINIATURE		
M 3.0 mm X 0.5 mm THREADED BODY		
FSCM NO.	DWG NO.	REV
	M3C152D REVB	B

M3C272D  
MINI M3.0x0.5mm  
2,700pF Cap. Feed-Thru



- \* RoHS Compliant
- \* ISO 9001:2000 Registered
- \* Discoidal Capacitor Construction

### = inches  
(###) = mm

PART NUMBER	EMI P/N	CAP. (pF)	COLOR DOT(S)	MAX. WVDC	DC AMPS	MINIMUM NO LOAD INSERTION LOSS				
						1 MHz	10 MHz	100 MHz	1 GHz	10 GHz
M3C272D		2,700	RED	200	10	5	10	25	40	50

ELECTRICAL

CAPACITANCE TOLERANCE: +100/-0%  
 DISSIPATION FACTOR: 3.5% MAX.  
 INSULATION RESISTANCE:  
 25 °C=1000 MΩμ F Min.  
 125° C=100 MΩμ F Min.  
 DIELECTRIC STRENGTH (DWV):  
 250% of WVDC (5 seconds)  
 TEMPERATURE CHARACTERISTIC:  
 X7R or better

PHYSICAL

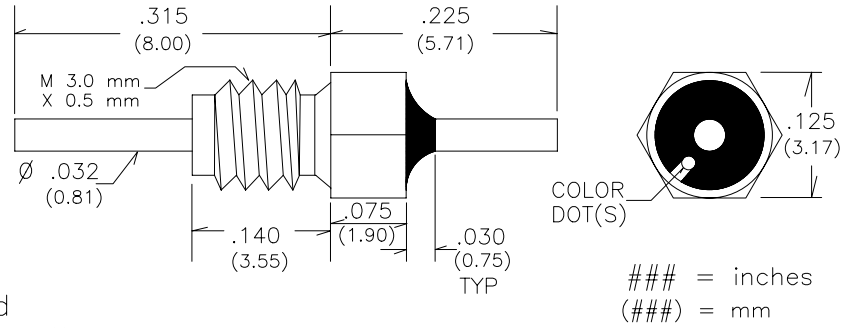
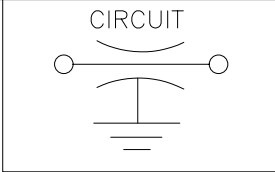
DIMENSION TOLERANCE:  
 CASE LENGTH: +/- .010" (.250mm)  
 LEAD LENGTH: +/- .030" (.762mm)  
 LEAD DIAMETER: +/- .002" (.051mm)  
 MATERIAL AND FINISH:  
 CASE: C12L14 CRS  
 LEAD: Copper (1/2 Hard)  
 FINISH: Silver per QQ-S-365

IDENTIFICATION & LIMITS

MARKING: Color Dot standard per chart  
 OPERATING TEMP: -55° C to +125° C  
 INSTALLATION TEMP: N/A  
 MAXIMUM MOUNTING TORQUE: 2.0 in\*lbs

VENDOR: EMI Filter Company 12750 59th Way N. Clearwater, FL 33760 (727) 585-7990 (727) 586-5138 Fax www.emifiltercompany.com		FILTERS, EMI, MINIATURE M 3.0 mm X 0.5 mm THREADED BODY		
FSCM NO.	DWG NO. M3C272D	REVB	REV B	

M3C502B  
MINI M3.0x0.5mm  
5,000pF Cap. Feed-Thru



- \* RoHS Compliant
- \* ISO 9001:2000 Registered
- \* Discoidal Capacitor Construction

PART NUMBER	EMI P/N	CAP. (pF)	COLOR DOT(S)	MAX. WVDC	DC AMPS	MINIMUM NO LOAD INSERTION LOSS				
						1 MHz	10 MHz	100 MHz	1 GHz	10 GHz
M3C502B		5,000	YELLOW	100	10	5	15	30	45	55

ELECTRICAL

CAPACITANCE TOLERANCE: +100/-0%  
 DISSIPATION FACTOR: 3.5% MAX.  
 INSULATION RESISTANCE:  
 25 °C=1000 MΩμF Min.  
 125 °C=100 MΩμF Min.  
 DIELECTRIC STRENGTH (DWV):  
 250% of WVDC (5 seconds)  
 TEMPERATURE CHARACTERISTIC:  
 X7R or better

PHYSICAL

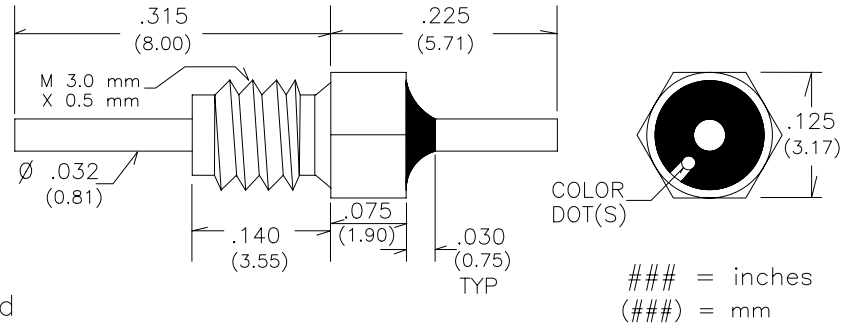
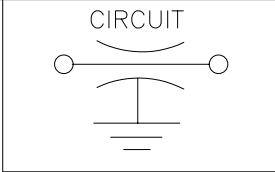
DIMENSION TOLERANCE:  
 CASE LENGTH: +/- .010" (.250mm)  
 LEAD LENGTH: +/- .030" (.762mm)  
 LEAD DIAMETER: +/- .002" (.051mm)  
 MATERIAL AND FINISH:  
 CASE: C12L14 CRS  
 LEAD: Copper (1/2 Hard)  
 FINISH: Silver per QQ-S-365

IDENTIFICATION & LIMITS

MARKING: Color Dot standard per chart  
 OPERATING TEMP: -55 °C to +125 °C  
 INSTALLATION TEMP: N/A  
 MAXIMUM MOUNTING TORQUE: 2.0 in\*lbs

VENDOR: EMI Filter Company 12750 59th Way N. Clearwater, FL 33760 (727) 585-7990 (727) 586-5138 Fax www.emifiltercompany.com		FILTERS, EMI, MINIATURE M 3.0 mm X 0.5 mm THREADED BODY		
FSCM NO.	DWG NO. M3C502B	REVB	REV B	

M3C103B  
MINI M3.0x0.5mm  
10,000pF Cap. Feed-Thru



- \* RoHS Compliant
- \* ISO 9001:2000 Registered
- \* Discoidal Capacitor Construction

### = inches  
(###) = mm

PART NUMBER	EMI P/N	CAP. (pF)	COLOR DOT(S)	MAX. WVDC	DC AMPS	MINIMUM NO LOAD INSERTION LOSS				
						1 MHz	10 MHz	100 MHz	1 GHz	10 GHz
M3C103B		10,000	2 WHITE	100	10	6	21	35	50	60

ELECTRICAL

CAPACITANCE TOLERANCE: +100/-0%  
 DISSIPATION FACTOR: 3.5% MAX.  
 INSULATION RESISTANCE:  
 25 °C=1000 M $\Omega$  $\mu$ F Min.  
 125 °C=100 M $\Omega$  $\mu$ F Min.  
 DIELECTRIC STRENGTH (DWV):  
 250% of WVDC (5 seconds)  
 TEMPERATURE CHARACTERISTIC:  
 X7R or better

PHYSICAL

DIMENSION TOLERANCE:  
 CASE LENGTH: +/- .010" (.250mm)  
 LEAD LENGTH: +/- .030" (.762mm)  
 LEAD DIAMETER: +/- .002" (.051mm)  
 MATERIAL AND FINISH:  
 CASE: C12L14 CRS  
 LEAD: Copper (1/2 Hard)  
 FINISH: Silver per QQ-S-365

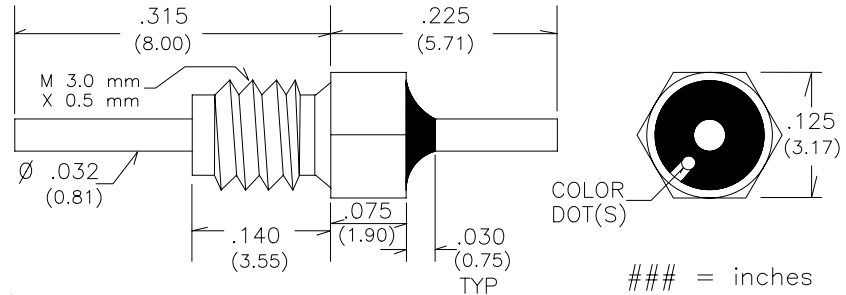
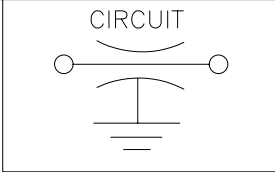
IDENTIFICATION & LIMITS

MARKING: Color Dot standard per chart  
 OPERATING TEMP: -55 °C to +125 °C  
 INSTALLATION TEMP: N/A  
 MAXIMUM MOUNTING TORQUE: 2.0 in\*lbs

VENDOR:  
 EMI Filter Company  
 12750 59th Way N.  
 Clearwater, FL 33760  
 (727) 585-7990  
 (727) 586-5138 Fax  
 www.emifiltercompany.com

FILTERS, EMI, MINIATURE		
M 3.0 mm X 0.5 mm THREADED BODY		
FSCM NO.	DWG NO.	REV
	M3C103B REVB	B

M3C153B  
MINI M3.0x0.5mm  
15,000pF Cap. Feed-Thru



- \* RoHS Compliant
- \* ISO 9001:2000 Registered
- \* Discoidal Capacitor Construction

### = inches  
(###) = mm

PART NUMBER	EMI P/N	CAP. (pF)	COLOR DOT(S)	MAX. WVDC	DC AMPS	MINIMUM NO LOAD INSERTION LOSS				
						1 MHz	10 MHz	100 MHz	1 GHz	10 GHz
M3C153B		15,000	2 WHITE	100	10	8	20	35	55	60

ELECTRICAL

CAPACITANCE TOLERANCE: +100/-0%  
 DISSIPATION FACTOR: 3.5% MAX.  
 INSULATION RESISTANCE:  
 25 °C=1000 M $\Omega$   $\mu$  F Min.  
 125 °C=100 M $\Omega$   $\mu$  F Min.  
 DIELECTRIC STRENGTH (DWV):  
 250% of WVDC (5 seconds)  
 TEMPERATURE CHARACTERISTIC:  
 X7R or better

PHYSICAL

DIMENSION TOLERANCE:  
 CASE LENGTH: +/- .010" (.250mm)  
 LEAD LENGTH: +/- .030" (.762mm)  
 LEAD DIAMETER: +/- .002" (.051mm)  
 MATERIAL AND FINISH:  
 CASE: C12L14 CRS  
 LEAD: Copper (1/2 Hard)  
 FINISH: Silver per QQ-S-365

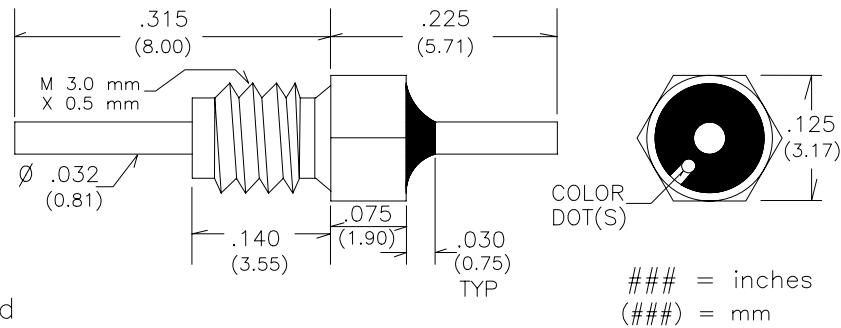
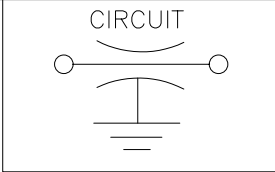
IDENTIFICATION & LIMITS

MARKING: Color Dot standard per chart  
 OPERATING TEMP: -55 °C to +125 °C  
 INSTALLATION TEMP: N/A  
 MAXIMUM MOUNTING TORQUE: 2.0 in\*lbs

VENDOR:  
 EMI Filter Company  
 12750 59th Way N.  
 Clearwater, FL 33760  
 (727) 585-7990  
 (727) 586-5138 Fax  
 www.emifiltercompany.com

FILTERS, EMI, MINIATURE		
M 3.0 mm X 0.5 mm THREADED BODY		
FSCM NO.	DWG NO.	REV
	M3C153B REVB	B

M3C273A  
MINI M3.0x0.5mm  
27,000pF Cap. Feed-Thru



- \* RoHS Compliant
- \* ISO 9001:2000 Registered
- \* Discoidal Capacitor Construction

### = inches  
(###) = mm

PART NUMBER	EMI P/N	CAP. (pF)	COLOR DOT(S)	MAX. WVDC	DC AMPS	MINIMUM NO LOAD INSERTION LOSS				
						1 MHz	10 MHz	100 MHz	1 GHz	10 GHz
M3C273A		27,000	2 RED	50	10	10	28	42	65	65

ELECTRICAL

CAPACITANCE TOLERANCE: +100/-0%  
 DISSIPATION FACTOR: 3.5% MAX.  
 INSULATION RESISTANCE:  
 25 °C=1000 MΩμF Min.  
 125 °C=100 MΩμF Min.  
 DIELECTRIC STRENGTH (DWV):  
 250% of WVDC (5 seconds)  
 TEMPERATURE CHARACTERISTIC:  
 X7R or better

PHYSICAL

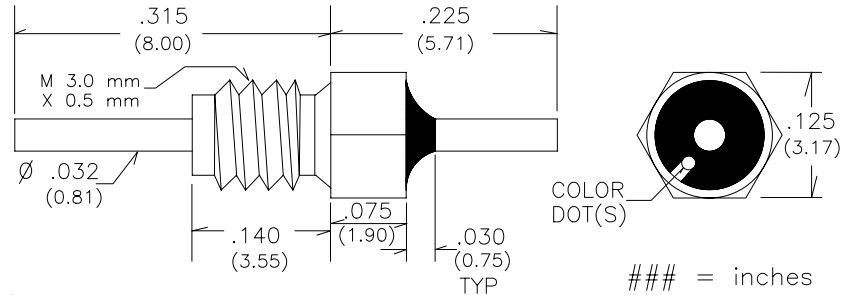
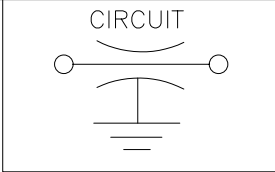
DIMENSION TOLERANCE:  
 CASE LENGTH: +/- .010" (.250mm)  
 LEAD LENGTH: +/- .030" (.762mm)  
 LEAD DIAMETER: +/- .002" (.051mm)  
 MATERIAL AND FINISH:  
 CASE: C12L14 CRS  
 LEAD: Copper (1/2 Hard)  
 FINISH: Silver per QQ-S-365

IDENTIFICATION & LIMITS

MARKING: Color Dot standard per chart  
 OPERATING TEMP: -55 °C to +125 °C  
 INSTALLATION TEMP: N/A  
 MAXIMUM MOUNTING TORQUE: 2.0 in\*lbs

VENDOR: EMI Filter Company 12750 59th Way N. Clearwater, FL 33760 (727) 585-7990 (727) 586-5138 Fax www.emifiltercompany.com		FILTERS, EMI, MINIATURE M 3.0 mm X 0.5 mm THREADED BODY		
FSCM NO.	DWG NO. M3C273A REVB	REV B		

M3C333A  
MINI M3.0x0.5mm  
33,000pF Cap. Feed-Thru



- \* RoHS Compliant
- \* ISO 9001:2000 Registered
- \* Discoidal Capacitor Construction

### = inches  
(###) = mm

PART NUMBER	EMI P/N	CAP. (pF)	COLOR DOT(S)	MAX. WVDC	DC AMPS	MINIMUM NO LOAD INSERTION LOSS				
						1 MHz	10 MHz	100 MHz	1 GHz	10 GHz
M3C333A		33,000	2 RED	50	10	11	30	44	65	65

ELECTRICAL

CAPACITANCE TOLERANCE: +100/-0%  
 DISSIPATION FACTOR: 3.5% MAX.  
 INSULATION RESISTANCE:  
 25 °C=1000 MΩμ F Min.  
 125° C=100 MΩμ F Min.  
 DIELECTRIC STRENGTH (DWV):  
 250% of WVDC (5 seconds)  
 TEMPERATURE CHARACTERISTIC:  
 X7R or better

PHYSICAL

DIMENSION TOLERANCE:  
 CASE LENGTH: +/- .010" (.250mm)  
 LEAD LENGTH: +/- .030" (.762mm)  
 LEAD DIAMETER: +/- .002" (.051mm)  
 MATERIAL AND FINISH:  
 CASE: C12L14 CRS  
 LEAD: Copper (1/2 Hard)  
 FINISH: Silver per QQ-S-365

IDENTIFICATION & LIMITS

MARKING: Color Dot standard per chart  
 OPERATING TEMP: -55° C to +125° C  
 INSTALLATION TEMP: N/A  
 MAXIMUM MOUNTING TORQUE: 2.0 in\*lbs

VENDOR:  
 EMI Filter Company  
 12750 59th Way N.  
 Clearwater, FL 33760  
 (727) 585-7990  
 (727) 586-5138 Fax  
 www.emifiltercompany.com

FILTERS, EMI, MINIATURE		
M 3.0 mm X 0.5 mm THREADED BODY		
FSCM NO.	DWG NO.	REV
	M3C333A REVB	B