

1x1 Port Tab-UP Surface Mount RJ45 Connector
with Magnetics Module and LED
for 10/100Base-TX NIC Applications



HR961160C

Electrical Specification @25°C

RoHS Compliant (PB Free)

Isolation: 1500Vrms 0.5mA 60sec (J1-8 to P3-8)

OCL: 350uH Minimum @100KHz 100mV with 8mADC

Insertion Loss: -1.0dB Maximum @1MHz ~ 65MHz

Return Loss: -20dB Minimum @1MHz ~ 10MHz / -16dB Minimum @30MHz

-12dB Minimum @60MHz ~ 80MHz

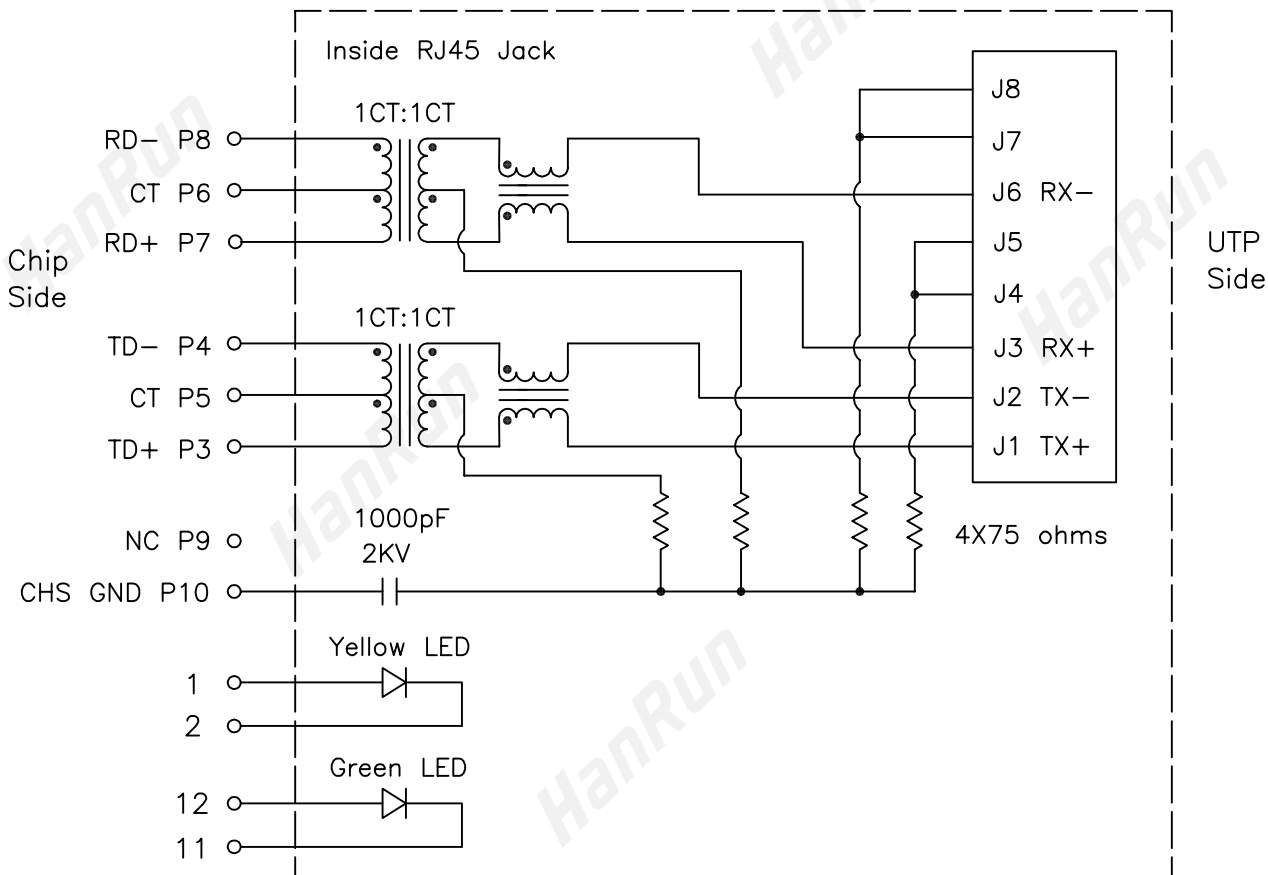
Common Mode Rejection: -30dB Minimum @1MHz ~ 50MHz

-20dB Minimum @50MHz ~ 130MHz

Crosstalk: -40dB Minimum @1MHz ~ 10MHz / -35dB Minimum @30MHz ~ 60MHz

-30dB Minimum @60MHz ~ 100MHz

Schematics

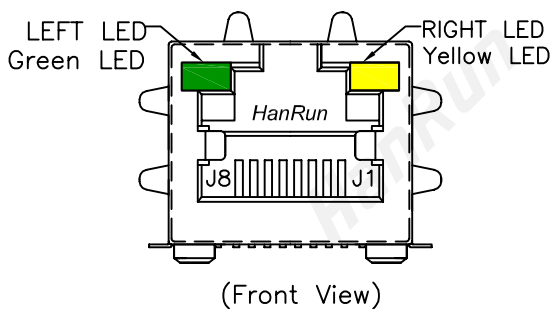
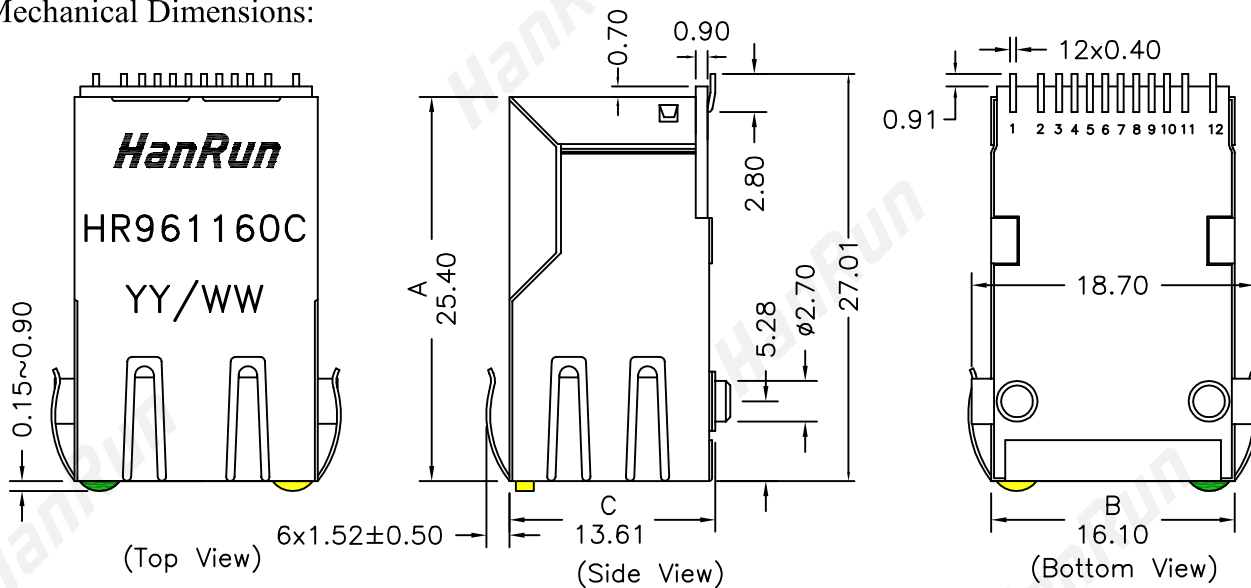


Notes: Connect CHS GND to PCB Ground

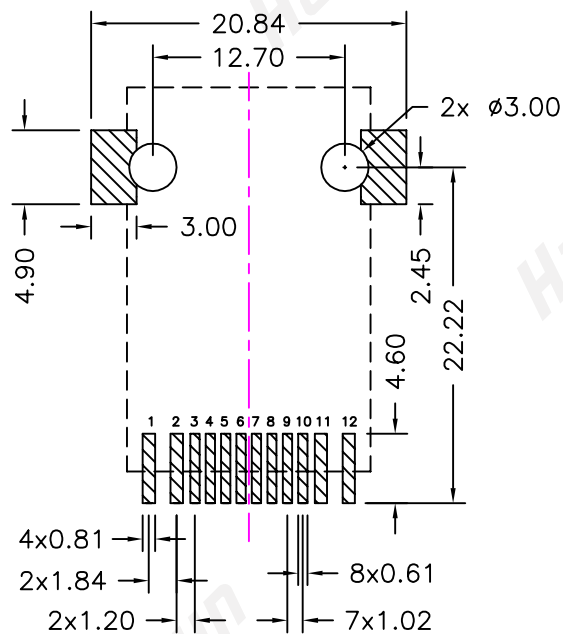
HR961160C

- RoHS Compliant (PB Free)
- Designed for Network Interface Card Application
- Meets or Exceeds IEEE802.3 standards including 350uH Min OCL with 8mADC
- High performance for EMI suppression, Crosstalk, Return Loss and Consistent Electrical
- Minimum 1500Vrms isolation per IEEE802.3 requirement
- Minimize PCB space and Simplify PCB Layout
- Less magnetic components to place on PCB, Higher reliability and yields

Mechanical Dimensions:



Standard LED	Wavelength	Forward V (Min/Max)	Forward A	Type
Green	568nm	1.8V/2.8V	20mA	gravestone
Yellow	585nm	1.8V/2.8V	20mA	gravestone



Dimensions in mm

Unless otherwise specified, Tolerance: .xx ±0.25

REV.B