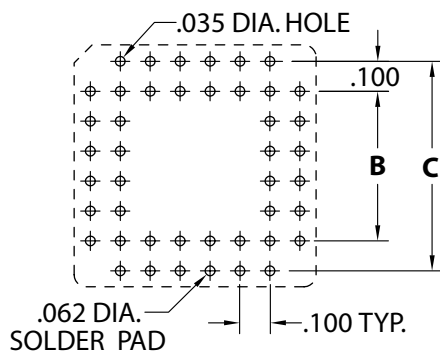
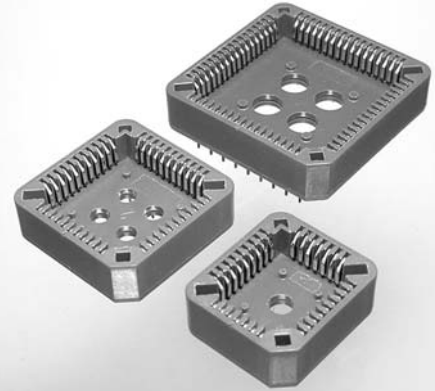


PCB LAYOUT



- Note: Not end stackable.
- Accepts JEDEC PLCCs MS-016 & MS-018 leaded plastic substrates.
- Insulator material is glass reinforced PPS.
- Standoffs provide clearance for heat dissipation and cleaning.
- Internal standoffs insure proper positioning of chip carrier in socket.
- Contacts are plated with 150 μ " tin/lead.
- Pre-lubricated available.



Application of Pre-Lubricated Sockets:

Intended as a general-purpose lubricant for tin/lead connectors, Nyetact 502M-20-UV is a solvent dispersion of a water-resistant, non-melting grease based on a plastic-compatible, synthetic hydrocarbon oil. Useful temperature range: -40° to 120°C. The active lubricant is present at 20% (by weight) in mineral spirits.

The pre-lubrication increases the reliability of standard sockets by preventing fretting corrosion.

Pre-lubricated sockets can be used for any long life applications having a tin-tin interface.

There is no degradation of lubrication during soldering or final wash. Contact the factory for other pre-lubricated products.

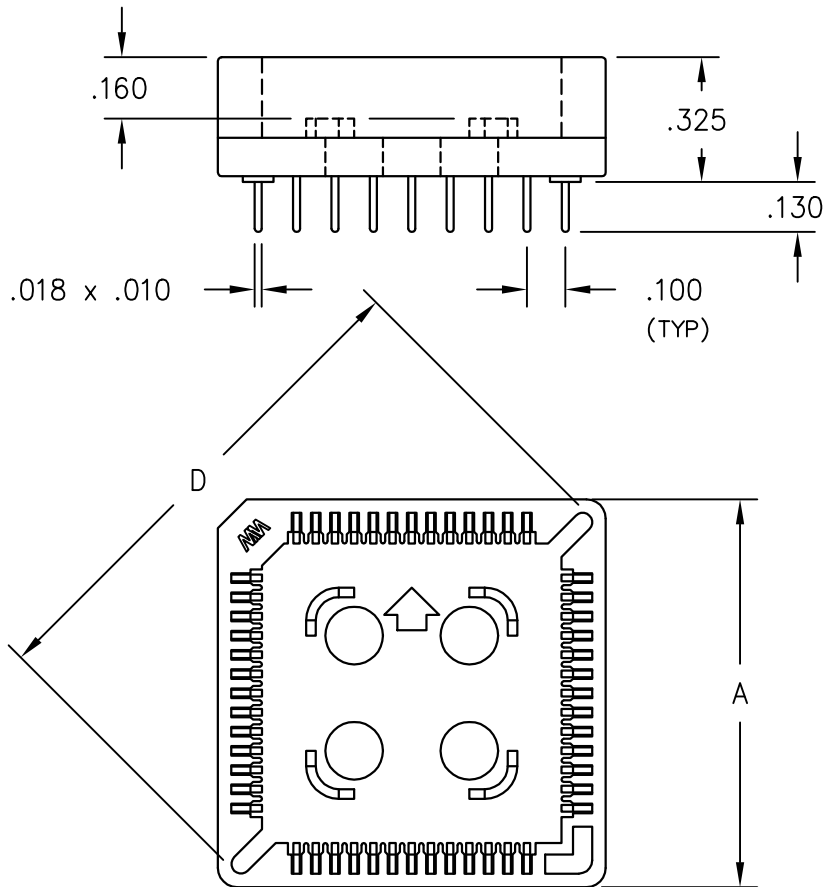
See page 96 for lubrication specifications.

No. of Contacts	A	B	C	Quantity per Tube	Ordering Information	
20	0.613	0.200	0.400	38		940-99-020-24-00X
28	0.713	0.300	0.500	33		940-99-028-24-00X
32*	.813/.713	.400/.300	.600/.500	29	*RECTANGULAR	940-99-032-24-00X
44	0.913	0.500	0.700	26		940-99-044-24-00X
52	1.013	0.600	0.800	23		940-99-052-24-00X
68	1.213	0.800	1.000	19		940-99-068-24-00X
84	1.413	1.000	1.200	16		940-99-084-24-00X
100	1.603	1.200	1.400	25		940-99-100-24-00X

X = 0 Not Lubricated
X = 1 Pre-Lubricated

THIS DRAWING CONTAINS INFORMATION PROPRIETARY TO MILL-MAX MFG. CORP.
 ANY REPRODUCTION, DISCLOSURE OR USE OF THIS DOCUMENT IS PROHIBITED
 WITHOUT THE WRITTEN CONSENT OF MILL-MAX MFG. CORP.

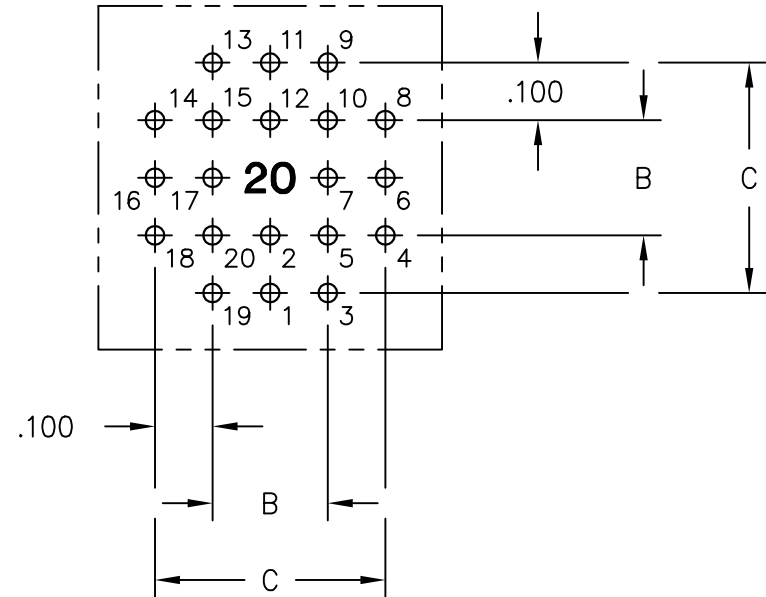
REV.	DATE	REV. DESCRIPTION



PRINTED CIRCUIT DRILLING PATTERNS

(TOP VIEW)

.035" dia. min. mounting holes



ORDER AS:

940-99-XXX-24-00X

X = 0 NOT LUBRICATED
 X = 1 PRE-LUBRICATED

- NOTES: Not End Stackable.
- Accepts JEDEC type MS-018 & MS-016 devices.
- Contact Material: Phosphor Bronze.
- Contact Finish: Tin/Lead over Nickel.
- Insulator Material: Glass Reinforced PPS Rated UL 94 V-0, Dark Brown Color.

Pins	ORDERING INFORMATION	- A -	- B -	- C -	- D -	Qty. per Tube
20	940-99-020-24-00X	.613	.200	.400	.716	38



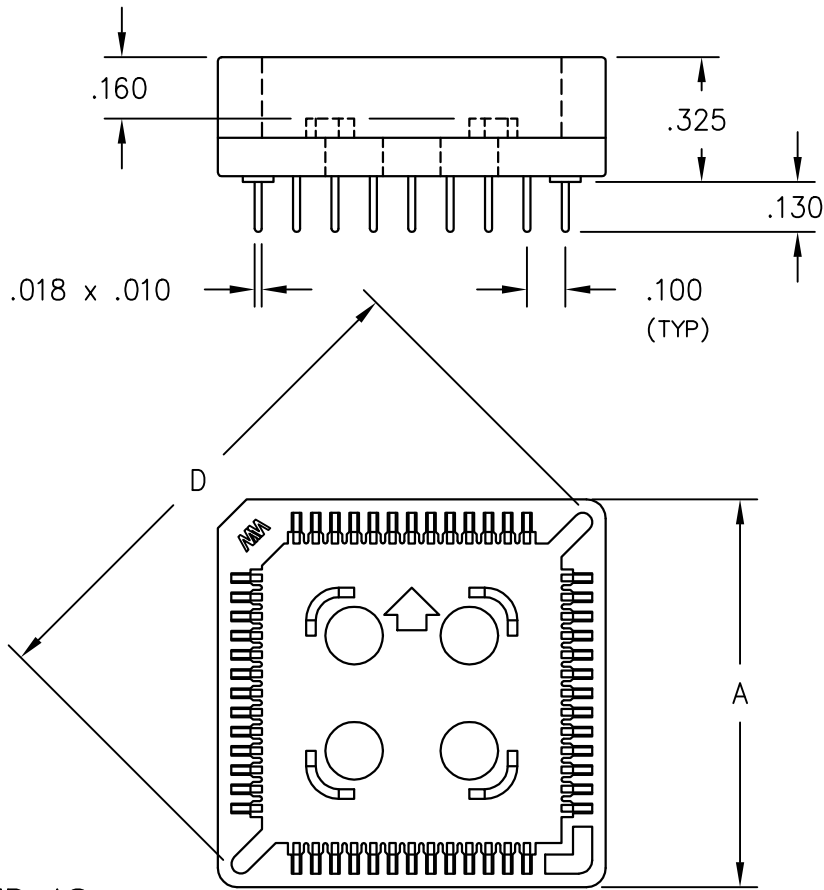
MILL-MAX[®] MFG. CORP.

P.O. BOX 300, 190 PINE HOLLOW ROAD, OYSTER BAY, NY 11771-0300
 TEL: (516) 922-6000 FAX: (516) 922-9253 WEB: WWW.MILL-MAX.COM

ALL DIMENSIONS IN INCHES		DATE	DRAWN	ENG. APPROVAL	SHEET NUMBER
PIN TOLERANCES BEFORE PLATING	INSULATOR TOLERANCES	08/21/02	D.M.		1 of 8
LENGTHS: ±.005 DIAMETERS: ±.002 ANGLES: ±2°	LENGTHS: ±.005 THICKNESS: ±.003 HOLE TO HOLE: ±.001 NON ACCUMULATIVE	TITLE 20 PIN PLCC PIN-OUT			
CUSTOMER APPROVAL			DRAWING NUMBER 940SERIESTBM		REV -

THIS DRAWING CONTAINS INFORMATION PROPRIETARY TO MILL-MAX MFG. CORP.
 ANY REPRODUCTION, DISCLOSURE OR USE OF THIS DOCUMENT IS PROHIBITED
 WITHOUT THE WRITTEN CONSENT OF MILL-MAX MFG. CORP.

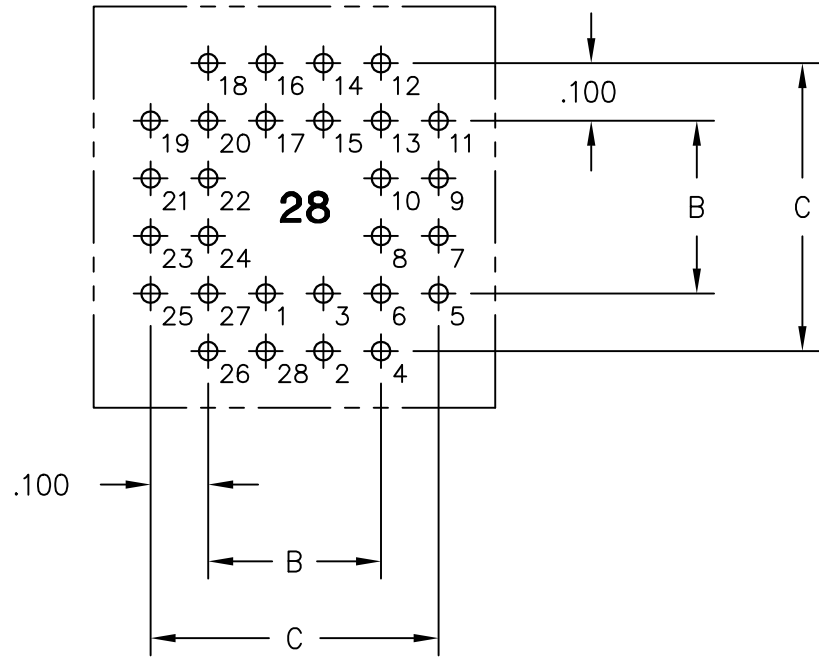
REV.	DATE	REV. DESCRIPTION



PRINTED CIRCUIT DRILLING PATTERNS

(TOP VIEW)

.035" dia. min. mounting holes



ORDER AS:

940-99-XXX-24-00X

X = 0 NOT LUBRICATED
 X = 1 PRE-LUBRICATED

- NOTES: Not End Stackable.
- Accepts JEDEC type MS-018 & MS-016 devices.
- Contact Material: Phosphor Bronze.
- Contact Finish: Tin/Lead over Nickel.
- Insulator Material: Glass Reinforced PPS Rated UL 94 V-0, Dark Brown Color.

Pins	ORDERING INFORMATION	- A -	- B -	- C -	- D -	Qty. per Tube
28	940-99-028-24-00X	.713	.300	.500	.854	33



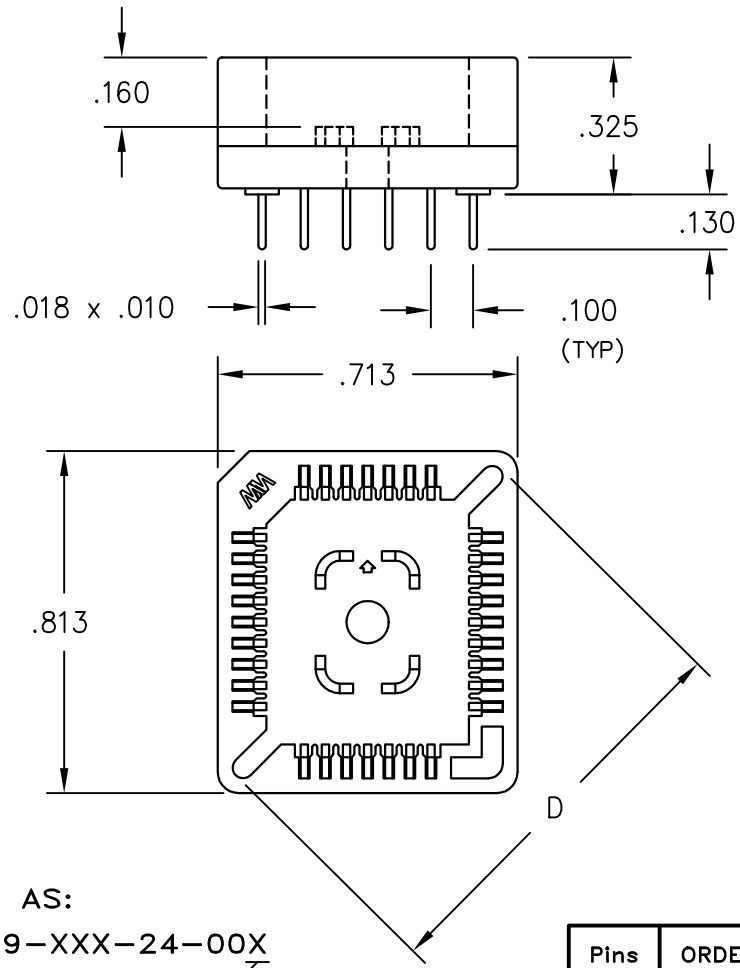
MILL-MAX[®] MFG. CORP.

P.O. BOX 300, 190 PINE HOLLOW ROAD, OYSTER BAY, NY 11771-0300
 TEL: (516) 922-6000 FAX: (516) 922-9253 WEB: WWW.MILL-MAX.COM

ALL DIMENSIONS IN INCHES		DATE	DRAWN	ENG. APPROVAL	SHEET NUMBER
PIN TOLERANCES BEFORE PLATING	INSULATOR TOLERANCES	08/21/02	D.M.		2 of 8
LENGTHS: ±.005 DIAMETERS: ±.002 ANGLES: ±2°	LENGTHS: ±.005 THICKNESS: ±.003 HOLE TO HOLE: ±.001 NON ACCUMULATIVE	TITLE 28 PIN PLCC PIN-OUT			
CUSTOMER APPROVAL			DRAWING NUMBER 940SERIESTBM		REV -

THIS DRAWING CONTAINS INFORMATION PROPRIETARY TO MILL-MAX MFG. CORP.
 ANY REPRODUCTION, DISCLOSURE OR USE OF THIS DOCUMENT IS PROHIBITED
 WITHOUT THE WRITTEN CONSENT OF MILL-MAX MFG. CORP.

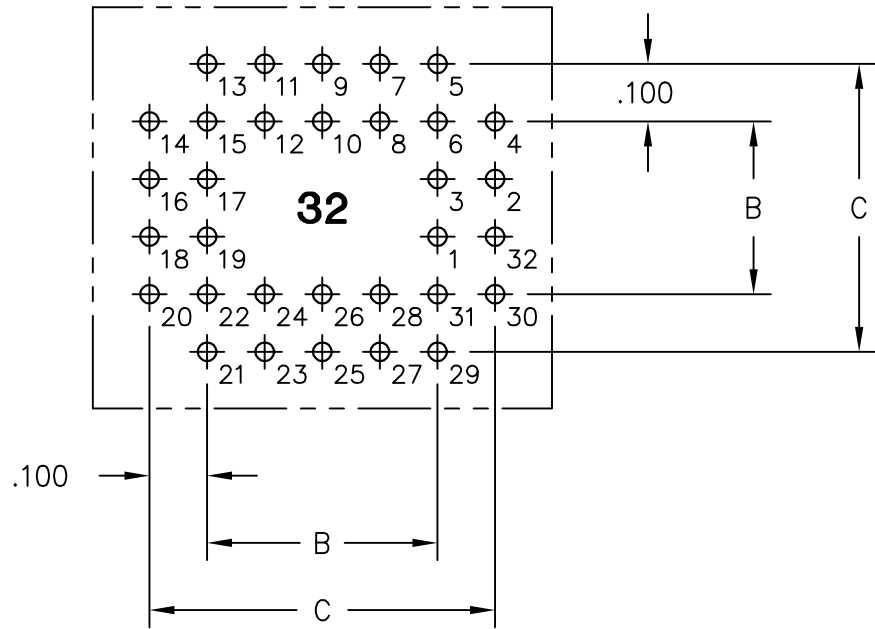
REV.	DATE	REV. DESCRIPTION



PRINTED CIRCUIT DRILLING PATTERNS

(TOP VIEW)

.035" dia. min. mounting holes



ORDER AS:

940-99-XXX-24-00X

X = 0 NOT LUBRICATED
 X = 1 PRE-LUBRICATED

- NOTES: Not End Stackable.
- Accepts JEDEC type MS-018 & MS-016 devices.
- Contact Material: Phosphor Bronze.
- Contact Finish: Tin/Lead over Nickel.
- Insulator Material: Glass Reinforced PPS Rated UL 94 V-0, Dark Brown Color.

Pins	ORDERING INFORMATION	- A -	- B -	- C -	- D -	Qty. per Tube
32*	940-99-032-24-00X	.813/.713	.400/.300	.600/.500	.931	29



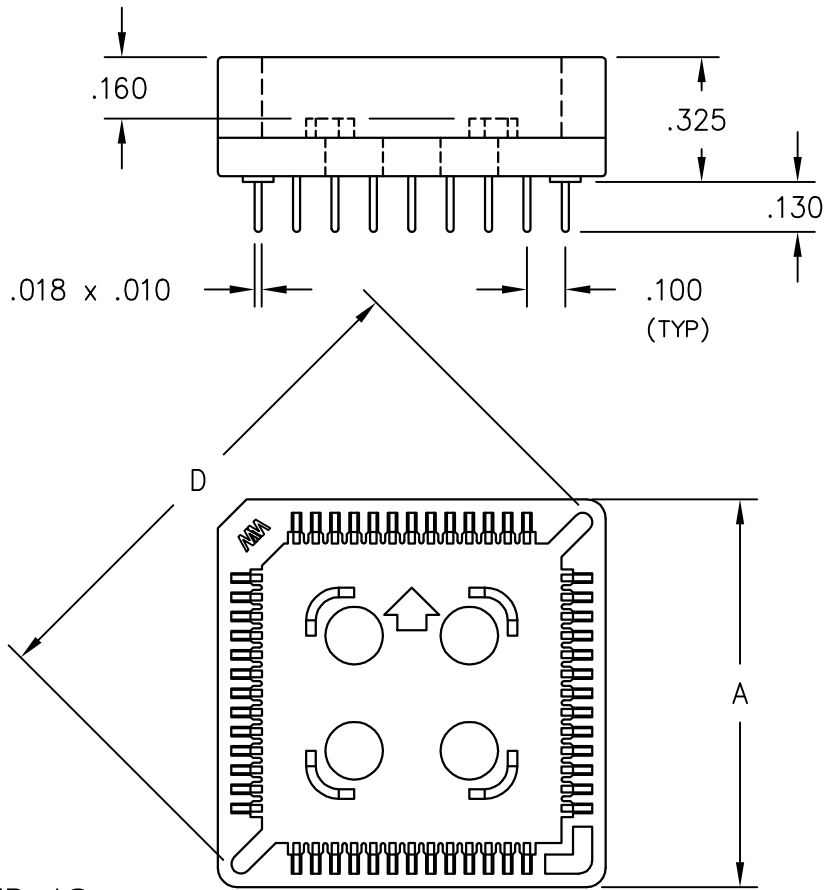
MILL-MAX[®] MFG. CORP.

P.O. BOX 300, 190 PINE HOLLOW ROAD, OYSTER BAY, NY 11771-0300
 TEL: (516) 922-6000 FAX: (516) 922-9253 WEB: WWW.MILL-MAX.COM

ALL DIMENSIONS IN INCHES		DATE	DRAWN	ENG. APPROVAL	SHEET NUMBER
PIN TOLERANCES BEFORE PLATING	INSULATOR TOLERANCES	08/21/02	D.M.		3 of 8
LENGTHS: ±.005 DIAMETERS: ±.002 ANGLES: ±2°	LENGTHS: ±.005 THICKNESS: ±.003 HOLE TO HOLE: ±.001 NON ACCUMULATIVE	TITLE 32 PIN PLCC PIN-OUT			
CUSTOMER APPROVAL			DRAWING NUMBER 940SERIESTBM		REV -

THIS DRAWING CONTAINS INFORMATION PROPRIETARY TO MILL-MAX MFG. CORP.
 ANY REPRODUCTION, DISCLOSURE OR USE OF THIS DOCUMENT IS PROHIBITED
 WITHOUT THE WRITTEN CONSENT OF MILL-MAX MFG. CORP.

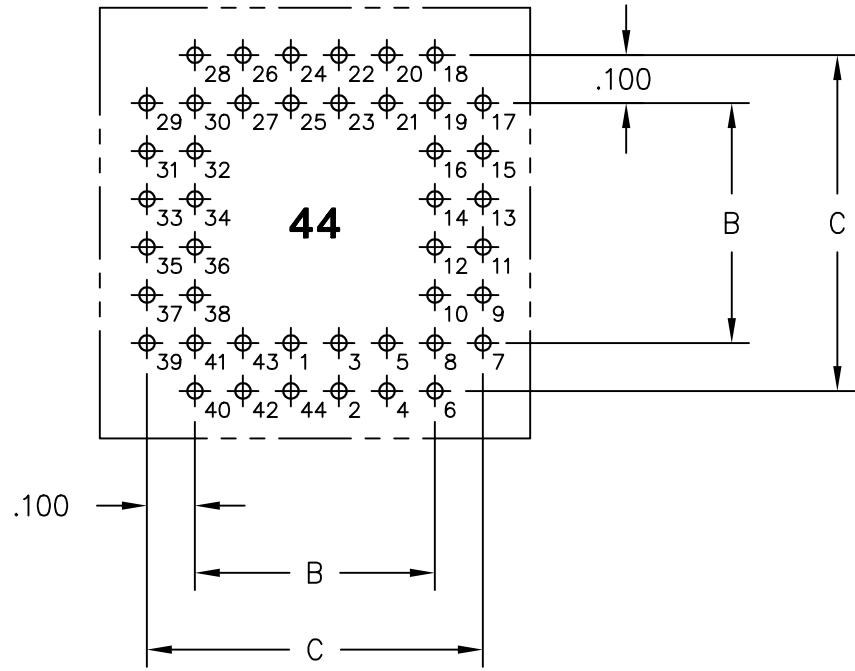
REV.	DATE	REV. DESCRIPTION



PRINTED CIRCUIT DRILLING PATTERNS

(TOP VIEW)

.035" dia. min. mounting holes



ORDER AS:

940-99-XXX-24-00X

X = 0 NOT LUBRICATED
 X = 1 PRE-LUBRICATED

- NOTES: Not End Stackable.
- Accepts JEDEC type MS-018 & MS-016 devices.
- Contact Material: Phosphor Bronze.
- Contact Finish: Tin/Lead over Nickel.
- Insulator Material: Glass Reinforced PPS Rated UL 94 V-0, Dark Brown Color.

Pins	ORDERING INFORMATION	- A -	- B -	- C -	- D -	Qty. per Tube
44	940-99-044-24-00X	.913	.500	.700	1.134	26



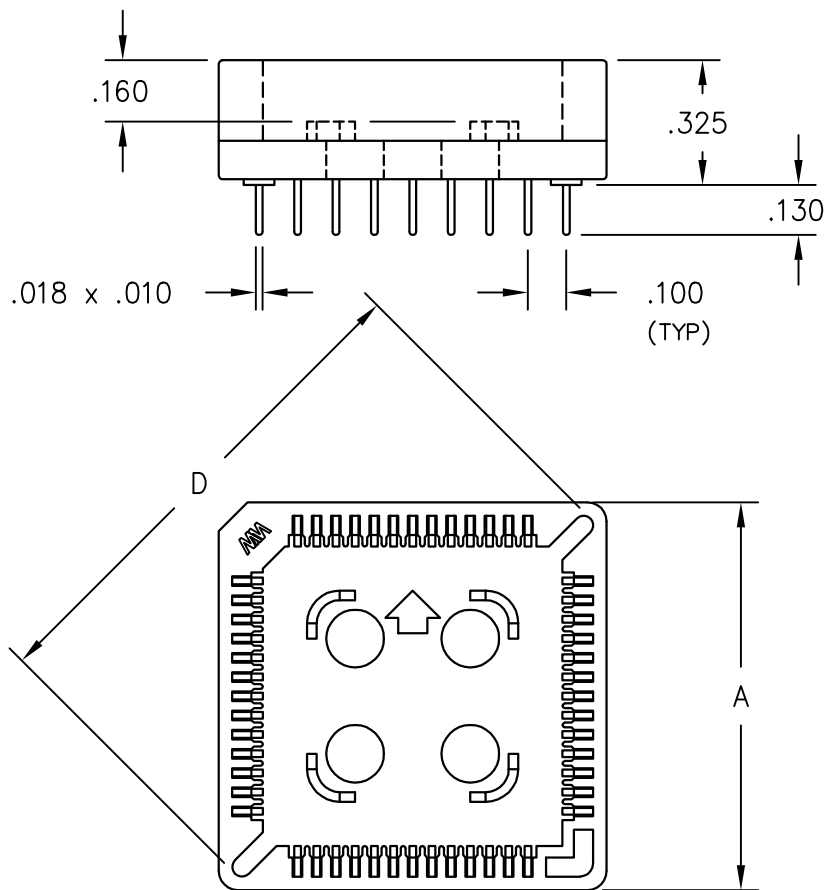
MILL-MAX® MFG. CORP.

P.O. BOX 300, 190 PINE HOLLOW ROAD, OYSTER BAY, NY 11771-0300
 TEL: (516) 922-6000 FAX: (516) 922-9253 WEB: WWW.MILL-MAX.COM

ALL DIMENSIONS IN INCHES		DATE	DRAWN	ENG. APPROVAL	SHEET NUMBER
PIN TOLERANCES BEFORE PLATING	INSULATOR TOLERANCES	08/21/02	D.M.		4 of 8
LENGTHS: ±.005 DIAMETERS: ±.002 ANGLES: ±2°	LENGTHS: ±.005 THICKNESS: ±.003 HOLE TO HOLE: ±.001 NON ACCUMULATIVE	TITLE 44 PIN PLCC PIN-OUT			
CUSTOMER APPROVAL			DRAWING NUMBER 940SERIESTBM		REV -

THIS DRAWING CONTAINS INFORMATION PROPRIETARY TO MILL-MAX MFG. CORP.
 ANY REPRODUCTION, DISCLOSURE OR USE OF THIS DOCUMENT IS PROHIBITED
 WITHOUT THE WRITTEN CONSENT OF MILL-MAX MFG. CORP.®

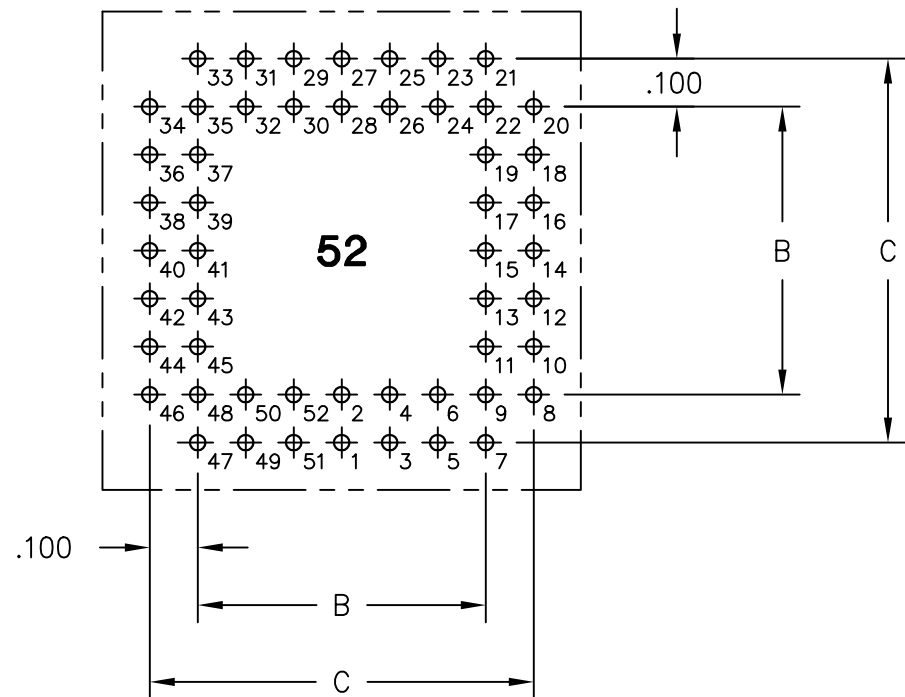
REV.	DATE	REV. DESCRIPTION



PRINTED CIRCUIT DRILLING PATTERNS

(TOP VIEW)

.035" dia. min. mounting holes



ORDER AS:

940-99-XXX-24-00X

X = 0 NOT LUBRICATED
 X = 1 PRE-LUBRICATED

- NOTES: Not End Stackable.
- Accepts JEDEC type MS-018 & MS-016 devices.
- Contact Material: Phosphor Bronze.
- Contact Finish: Tin/Lead over Nickel.
- Insulator Material: Glass Reinforced PPS Rated UL 94 V-0, Dark Brown Color.

Pins	ORDERING INFORMATION	- A -	- B -	- C -	- D -	Qty. per Tube
52	940-99-052-24-00X	1.013	.600	.800	1.280	23



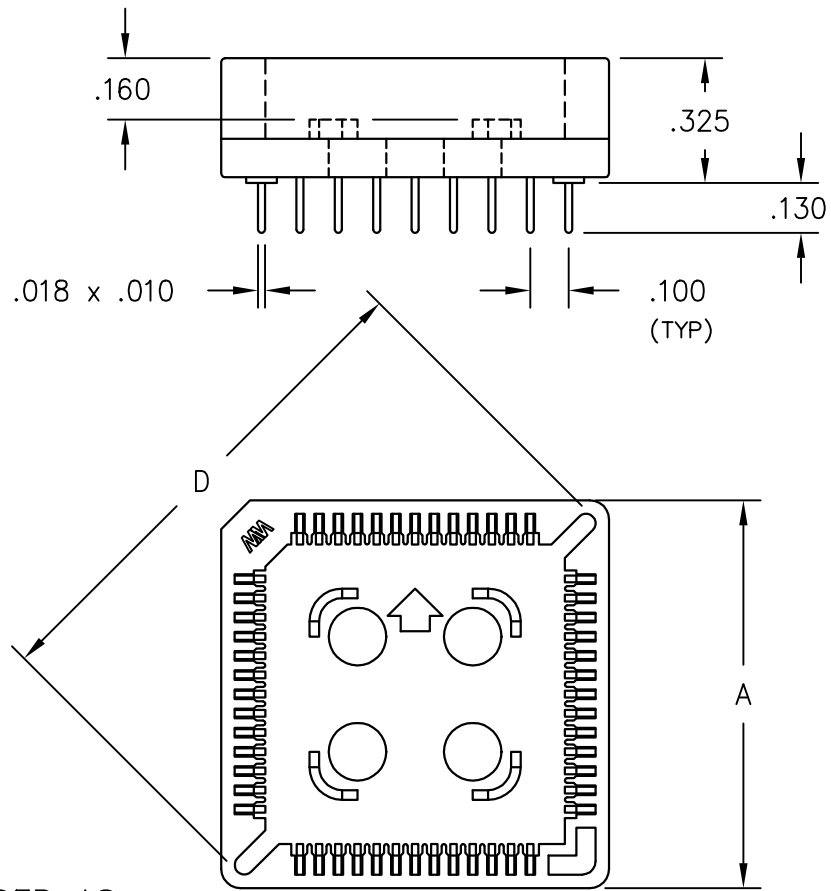
MILL-MAX® MFG. CORP.

P.O. BOX 300, 190 PINE HOLLOW ROAD, OYSTER BAY, NY 11771-0300
 TEL: (516) 922-6000 FAX: (516) 922-9253 WEB: WWW.MILL-MAX.COM

ALL DIMENSIONS IN INCHES		DATE	DRAWN	ENG. APPROVAL	SHEET NUMBER
PIN TOLERANCES BEFORE PLATING	INSULATOR TOLERANCES	08/21/02	D.M.		5 of 8
LENGTHS: ±.005 DIAMETERS: ±.002 ANGLES: ±2°	LENGTHS: ±.005 THICKNESS: ±.003 HOLE TO HOLE: ±.001 NON ACCUMULATIVE	TITLE 52 PIN PLCC PIN-OUT			
CUSTOMER APPROVAL			DRAWING NUMBER 940SERIESTBM		REV -

THIS DRAWING CONTAINS INFORMATION PROPRIETARY TO MILL-MAX MFG. CORP.
 ANY REPRODUCTION, DISCLOSURE OR USE OF THIS DOCUMENT IS PROHIBITED
 WITHOUT THE WRITTEN CONSENT OF MILL-MAX MFG. CORP.

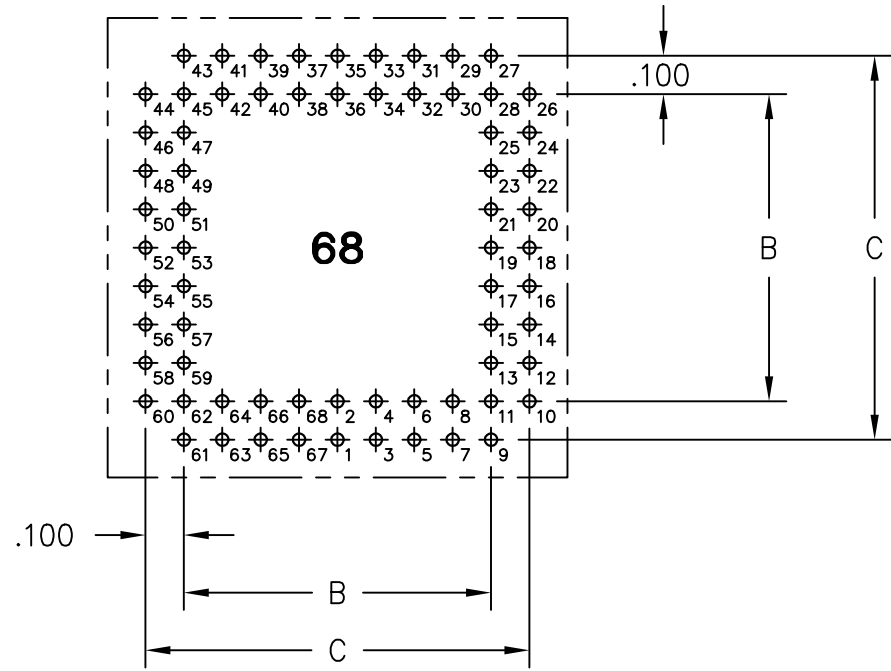
REV.	DATE	REV. DESCRIPTION



PRINTED CIRCUIT DRILLING PATTERNS

(TOP VIEW)

.035" dia. min. mounting holes



ORDER AS:

940-99-XXX-24-00X

X = 0 NOT LUBRICATED
 X = 1 PRE-LUBRICATED

- NOTES: Not End Stackable.
- Accepts JEDEC type MS-018 & MS-016 devices.
- Contact Material: Phosphor Bronze.
- Contact Finish: Tin/Lead over Nickel.
- Insulator Material: Glass Reinforced PPS Rated UL 94 V-0, Dark Brown Color.

Pins	ORDERING INFORMATION	- A -	- B -	- C -	- D -	Qty. per Tube
68	940-99-068-24-00X	1.213	.800	1.000	1.575	19



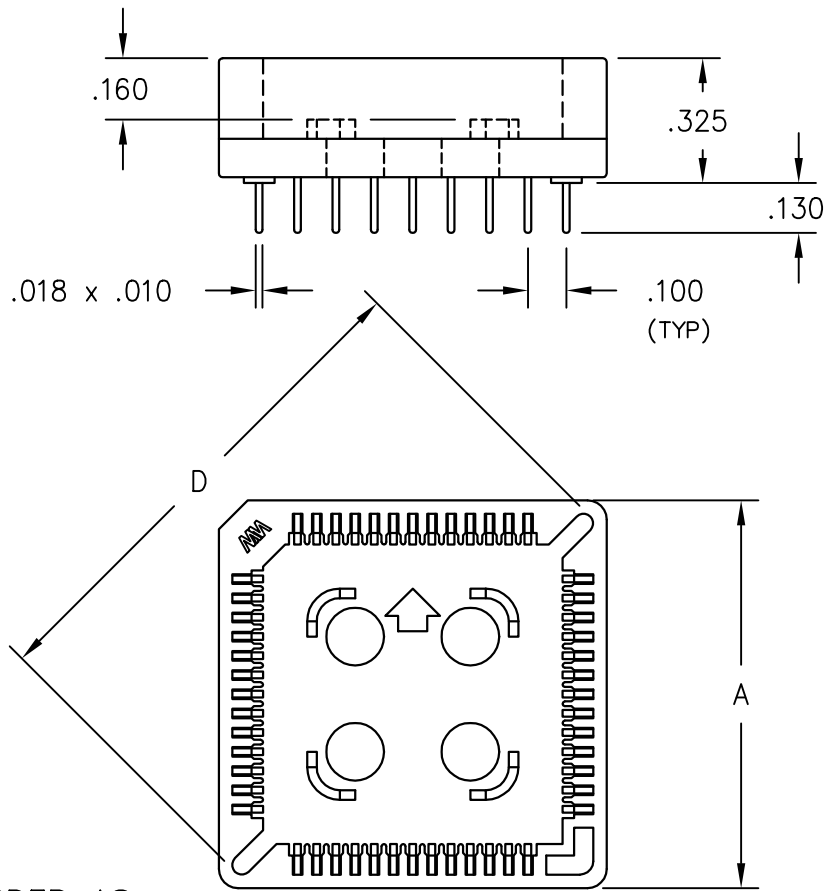
MILL-MAX® MFG. CORP.

P.O. BOX 300, 190 PINE HOLLOW ROAD, OYSTER BAY, NY 11771-0300
 TEL: (516) 922-6000 FAX: (516) 922-9253 WEB: WWW.MILL-MAX.COM

ALL DIMENSIONS IN INCHES		DATE	DRAWN	ENG. APPROVAL	SHEET NUMBER
PIN TOLERANCES BEFORE PLATING	INSULATOR TOLERANCES	08/21/02	D.M.		6 of 8
LENGTHS: ±.005 DIAMETERS: ±.002 ANGLES: ±2°	LENGTHS: ±.005 THICKNESS: ±.003 HOLE TO HOLE: ±.001 NON ACCUMULATIVE	TITLE 68 PIN PLCC PIN-OUT			
CUSTOMER APPROVAL			DRAWING NUMBER 940SERIESTBM		REV -

THIS DRAWING CONTAINS INFORMATION PROPRIETARY TO MILL-MAX MFG. CORP.
 ANY REPRODUCTION, DISCLOSURE OR USE OF THIS DOCUMENT IS PROHIBITED
 WITHOUT THE WRITTEN CONSENT OF MILL-MAX MFG. CORP.®

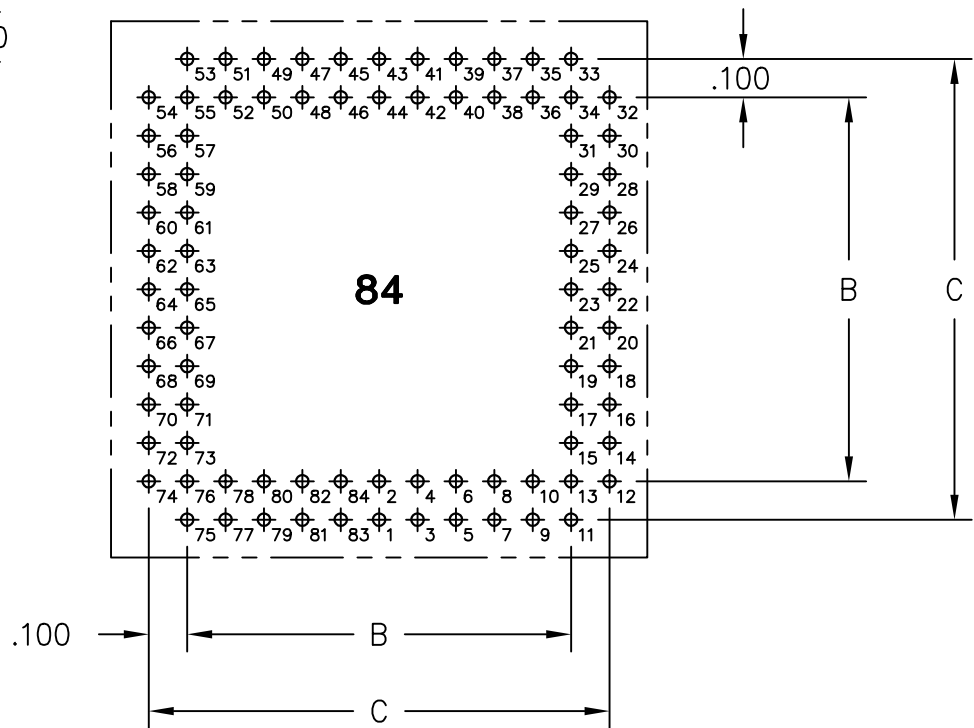
REV.	DATE	REV. DESCRIPTION



PRINTED CIRCUIT DRILLING PATTERNS

(TOP VIEW)

.035" dia. min. mounting holes



ORDER AS:

940-99-XXX-24-00X

X = 0 NOT LUBRICATED
 X = 1 PRE-LUBRICATED

- NOTES: Not End Stackable.
- Accepts JEDEC type MS-018 & MS-016 devices.
- Contact Material: Phosphor Bronze.
- Contact Finish: Tin/Lead over Nickel.
- Insulator Material: Glass Reinforced PPS Rated UL 94 V-0, Dark Brown Color.

Pins	ORDERING INFORMATION	- A -	- B -	- C -	- D -	Qty. per Tube
84	940-99-084-24-00X	1.413	1.000	1.200	1.856	16



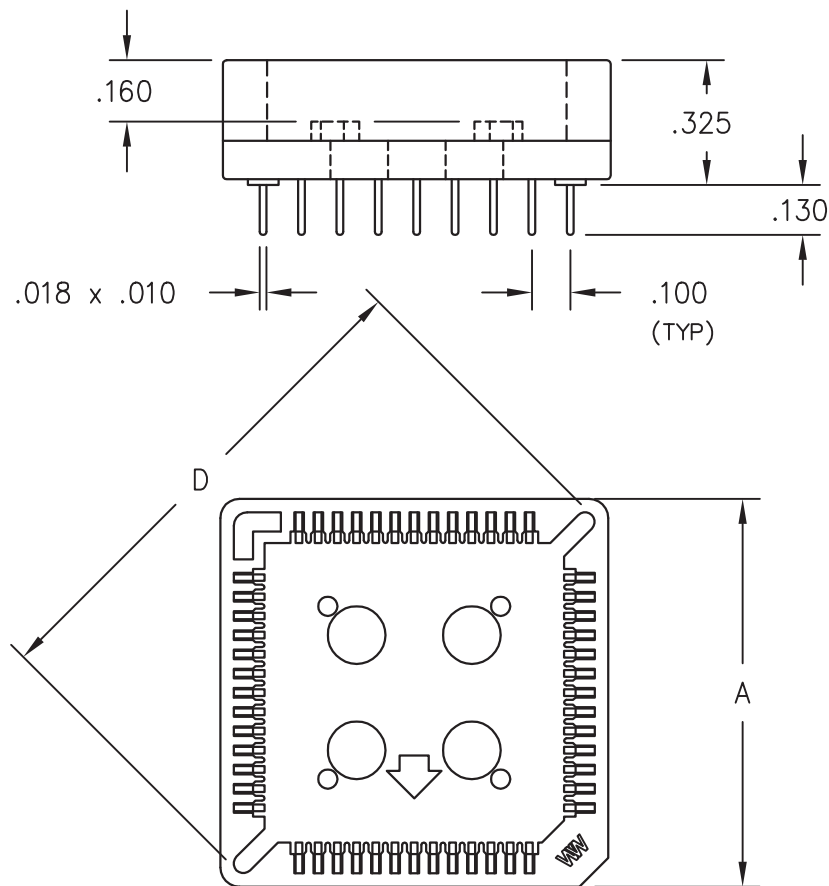
MILL-MAX® MFG. CORP.

P.O. BOX 300, 190 PINE HOLLOW ROAD, OYSTER BAY, NY 11771-0300
 TEL: (516) 922-6000 FAX: (516) 922-9253 WEB: WWW.MILL-MAX.COM

ALL DIMENSIONS IN INCHES		DATE	DRAWN	ENG. APPROVAL	SHEET NUMBER
PIN TOLERANCES BEFORE PLATING	INSULATOR TOLERANCES	08/21/02	D.M.		7 of 8
LENGTHS: ±.005 DIAMETERS: ±.002 ANGLES: ±2°	LENGTHS: ±.005 THICKNESS: ±.003 HOLE TO HOLE: ±.001 NON ACCUMULATIVE	TITLE 84 PIN PLCC PIN-OUT			
CUSTOMER APPROVAL			DRAWING NUMBER 940SERIESTBM		REV -

THIS DRAWING CONTAINS INFORMATION PROPRIETARY TO MILL-MAX MFG. CORP.
 ANY REPRODUCTION, DISCLOSURE OR USE OF THIS DOCUMENT IS PROHIBITED
 WITHOUT THE WRITTEN CONSENT OF MILL-MAX MFG. CORP.

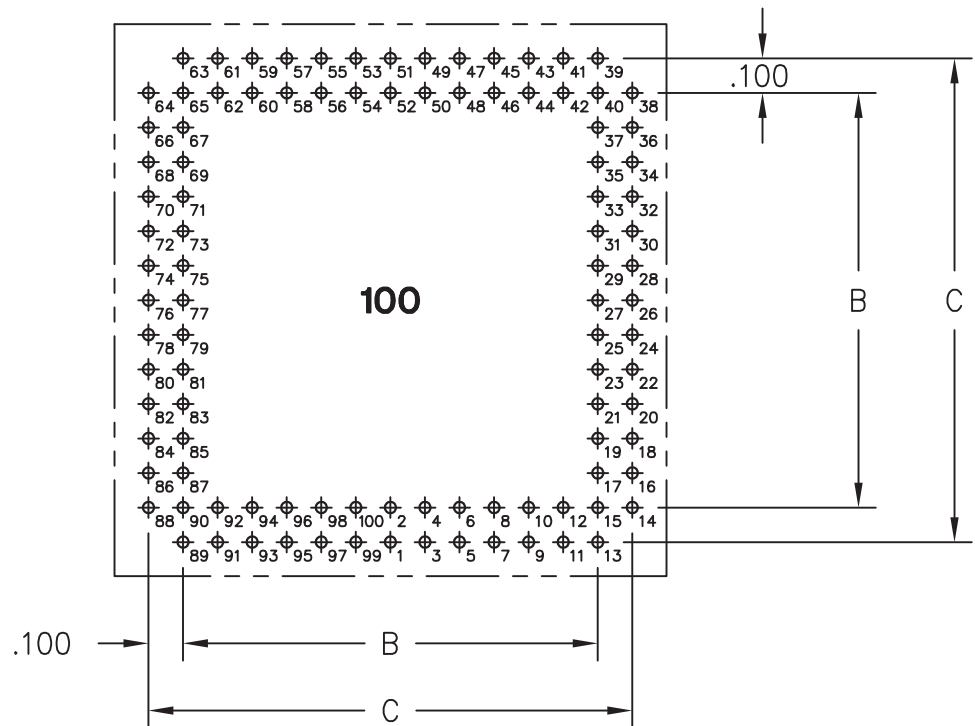
REV.	DATE	REV. DESCRIPTION



PRINTED CIRCUIT DRILLING PATTERNS

(TOP VIEW)

.035" dia. min. mounting holes



ORDER AS:

940-99-XXX-24-00X

X = 0 NOT LUBRICATED
 X = 1 PRE-LUBRICATED

- NOTES: Not End Stackable.
- Accepts JEDEC type MS-018 & MS-016 devices.
- Contact Material: Phosphor Bronze.
- Contact Finish: Tin/Lead over Nickel.
- Insulator Material: Glass Reinforced PPS Rated UL 94 V-0, Dark Brown Color.

Pins	ORDERING INFORMATION	- A -	- B -	- C -	- D -	Qty. per Tray
100	940-99-100-24-00X	1.603	1.200	1.400	2.130	25



MILL-MAX® MFG. CORP.

P.O. BOX 300, 190 PINE HOLLOW ROAD, OYSTER BAY, NY 11771-0300
 TEL: (516) 922-6000 FAX: (516) 922-9253 WEB: WWW.MILL-MAX.COM

ALL DIMENSIONS IN INCHES		DATE	DRAWN	ENG. APPROVAL	SHEET NUMBER
PIN TOLERANCES BEFORE PLATING	INSULATOR TOLERANCES	08/21/02	D.M.		8 of 8
LENGTHS: ±.005 DIAMETERS: ±.002 ANGLES: ±2°	LENGTHS: ±.005 THICKNESS: ±.003 HOLE TO HOLE: ±.001 NON ACCUMULATIVE	TITLE 100 PIN PLCC PIN-OUT			
CUSTOMER APPROVAL			DRAWING NUMBER 940SERIESTBM		REV -