

FREQUENCY STABILITY

SHORT TERM STABILITY OVER TEMPERATURE RANGE

-40 to 55°C*: $\leq \pm 3E-9 / 50s^*$
(after 15mn switch on and with a slope of 5°C/h)

LONG TERM AGING 5 YEARS INCLUDING CALIBRATION:

< $\pm 4.5 ppm$
SUPPLY VOLTAGE $\pm 0.2V$: < $\pm 0.1 ppm$

POWER SUPPLY

SUPPLY INPUT: $V_{CC} = 5 V \pm 0.2 V^*$
INPUT CURRENT: < 10 mA @ 55°C*
INPUT CURRENT: < 35 mA @ 25 °C*
INPUT CURRENT: < 70 mA @ -20 °C*

FREQUENCY CONTROL RANGE

CONTROL VOLTAGE: *Not applicable, pin 1 must be connected to ground (see note 2)*
INTERNAL CALIBRATION: < $\pm 1 ppm^*$

OUTPUT

OUTPUT SIGNAL: *Clipped sine wave*
LEVEL: > 1Vpp
LOAD: 1k Ω // 10pF $\pm 10\%$

ENVIRONMENT

OPERABLE TEMP. RANGE: -40 to 85°C
STORAGE TEMP. RANGE: -65 to 125°C
VIBRATION: 10 to 2000 Hz / 10 g
SHOCK: 500 g, 5 ms, 1/2 sine
PACKAGE: DIL 14, 4 pins, GND to case
PACKAGE HEIGHT: 8 mm
(packaging info)

WARM-UP

$\Delta F/F$: See Frequency stability
CURRENT: < 330mA during 10s (@ -40°C)

MISCELLANEOUS

SIGMA TAU: < 5 E-10 0.1 s to 30 s
Typical 5 E-11 @ 1 s
PHASE NOISE (BW = 1Hz):
(typical, @ 10MHz in static conditions)
10 Hz: - 90 dBc / Hz
100 Hz: - 120 dBc / Hz
1 kHz: - 130 dBc / Hz
10 kHz: - 130 dBc / Hz

* Customer's specification on request

Note 2

On request:

Possibility of frequency adjustment with control voltage.

MARKING EXAMPLE



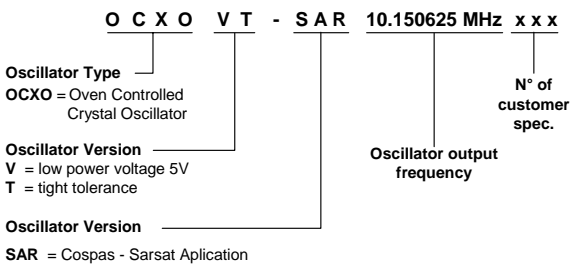
OCXOVT-SAR
10.150625 MHz
O

01.25
12



Type Spec No.
Frequency Date Code
O (PIN 1) Piece No.

ORDERING INFORMATION EXAMPLE



STANDARD FREQUENCIES (MHz)

10.150625 10.150700 12.688281 12.688375

DATE: June 2003

Revision No.: 2

Page 1/2

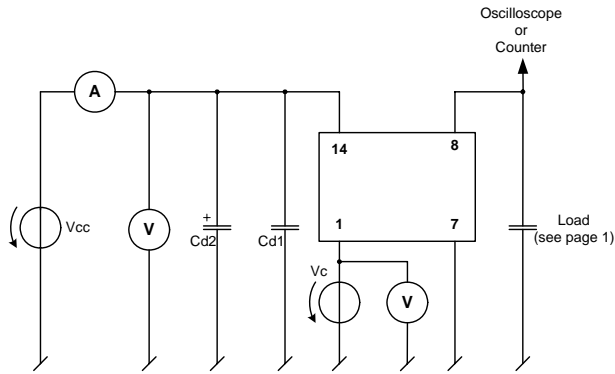
In accordance with our policy of continuous development and improvement, we reserve the right to modify the design or the specifications of our products without prior notice.

Headquarters: Micro Crystal
Div. of ETA SA
Mühlestrasse 14
CH-2540 Grenchen
Switzerland

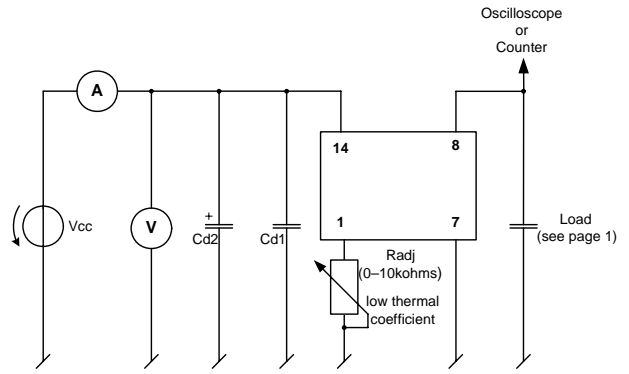
Tel. +41 32 655 82 82
Fax +41 32 655 80 90
Internet www.microcrystal.ch
Email sales@microcrystal.ch

Application and Test Circuit:

Adjustment with voltage



Adjustment with resistor



DATE:	June 2003	Revision No.: 1
-------	-----------	-----------------

Page 2/2

In accordance with our policy of continuous development and improvement, we reserve the right to modify the design or the specifications of our products without prior notice.

Headquarters: Micro Crystal
Div. of ETA SA
Mühlestrasse 14
CH-2540 Grenchen
Switzerland

Tel. +41 32 655 82 82
Fax +41 32 655 80 90
Internet www.microcrystal.ch
Email sales@microcrystal.ch