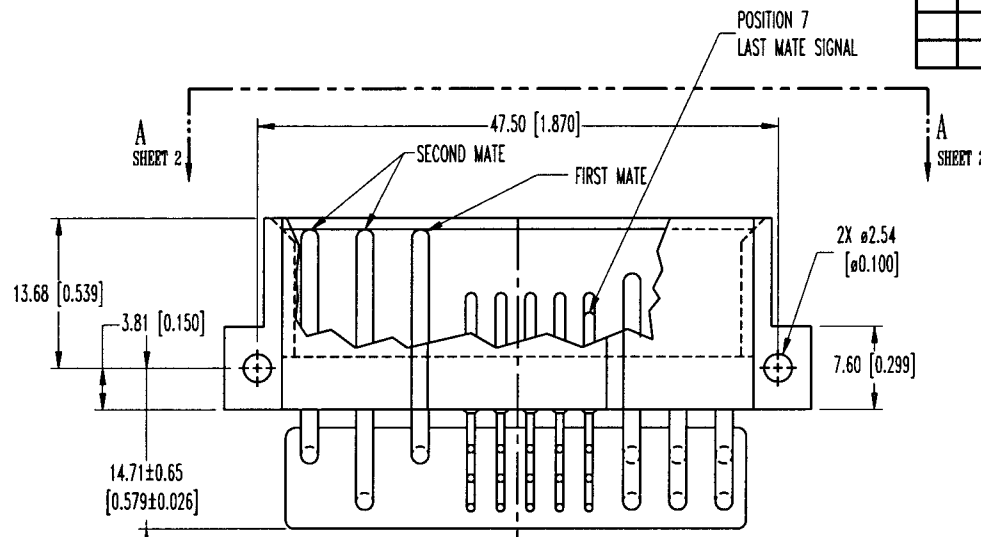


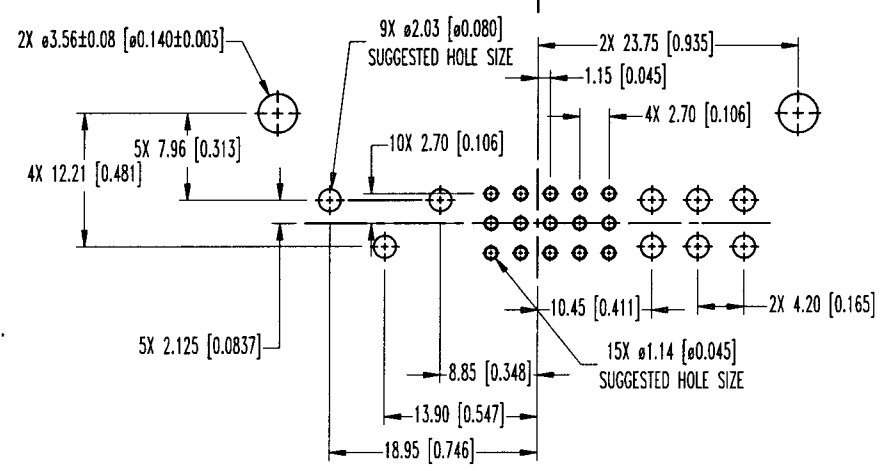
DATE	REV	REVISION RECORD	APP	DR	CK
	1	ECO 25285		YK	

POSITRONIC INDUSTRIES BELIEVES THE DATA ON THIS DRAWING TO BE RELIABLE SINCE THE TECHNICIAN RESPONSIBLE IS A QUALIFIED ENGINEER. THE USER EMPLOYS SUCH INFORMATION AT HIS OWN DISCRETION AND RISK. POSITRONIC INDUSTRIES ASSUMES NO RESPONSIBILITY FOR RESULTS OBTAINED OR DAMAGES INCURRED FROM USE OF SUCH INFORMATION IN WHOLE OR IN PART.




NOTES:

- MATERIALS AND FINISHES:  
 INSULATOR: GLASS FILLED POLYESTER, UL 94V-0. COLOR: BLUE.  
 SIZE 16 CONTACTS: HIGH CONDUCTIVITY PRECISION MACHINED COPPER ALLOY WITH GOLD FLASH OVER NICKEL.  
 SIZE 22 CONTACTS: PRECISION MACHINED COPPER ALLOY WITH GOLD FLASH OVER NICKEL.
- ELECTRICAL CHARACTERISTICS:  
 CONTACT CURRENT RATING:  
 SIZE 16 POWER CONTACTS:  
 POSITIONS 22, 23 AND 24: 40 AMPERES CONTINUOUS, ALL CONTACTS UNDER LOAD.  
 POSITIONS 1-6: 28 AMPERES CONTINUOUS, ALL CONTACTS UNDER LOAD.  
 SIZE 22 SIGNAL CONTACTS: 3 AMPERES NOMINAL.  
 INITIAL CONTACT RESISTANCE:  
 SIZE 16 CONTACT: 0.0007 OHMS MAXIMUM.  
 SIZE 22 CONTACT: 0.004 OHMS MAXIMUM.  
 PER IEC 512-2, TEST 2b.  
 INSULATOR RESISTANCE: 5 G OHMS PER IEC 512-2, TEST 3a.  
 VOLTAGE PROOF:  
 CONTACTS: 22, 23 AND 24: 3,000 V r.m.s.  
 CONTACTS: 1 THROUGH 6: 1,500 V r.m.s.  
 CONTACTS: 7 THROUGH 21: 1,000 V r.m.s.  
 CREEPAGE AND CLEARANCE  
 DISTANCE; MINIMUM:  
 CONTACT 24 TO CONTACT 22: 3.2 [0.126]  
 CONTACT 23 TO CONTACT 22: 3.2 [0.126]  
 CONTACT 24 TO SIGNAL CONTACTS: 6.4 [0.252]  
 CONTACT 23 TO SIGNAL CONTACTS: 6.4 [0.252]  
 CONTACT 24 TO CONTACT 23: 2.5 [0.098]  
 CONTACT 22 TO SIGNAL CONTACTS: 2.0 [0.079]
- CONNECTORS ARE ROHS COMPLIANT PER ROHS DIRECTIVE 2002/95/EC OF 27 JAN 2003.
- WORKING TEMPERATURE: -55°C TO +125°C.
- DIMENSIONS ARE IN MILLIMETERS [INCHES].

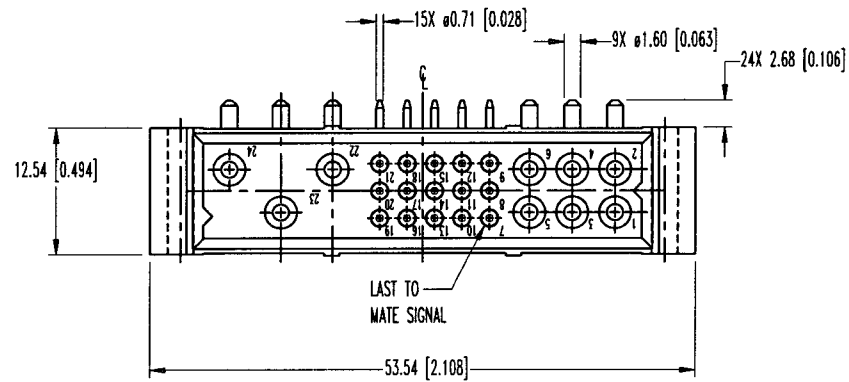




**POSITRONIC INDUSTRIES INC.**  
www.connectpositronic.com

 DECIMAL TOL ±0.38 [0.015]	TITLE <b>PCI SERIES</b>	SCALE N.T.S.	DRAWN BY YK APPROVED BY
<b>PCIB24W9M400A1/AA</b>			
DATE 6-28-05	DRAWING NUMBER SK6281	SHEET 1 OF 2	REV. NC

FORN DISSEMINTED RELEASES THE DATA ON THIS DRAWING TO BE CONTROLLED BY THE SECURITY INFORMATION IS SUCH PART OF COMINT. THE USER EMPLOYEES SUCH INFORMATION AS HIS OWN INDICTION AND NOT FORN DISSEMINTED RELEASES TO RESPONSIBILITY FOR RESULTS OBTAINED OR DAMAGES INCURRED FROM USE OF SUCH INFORMATION IN WHOLE OR IN PART.



VIEW A-A

POSITRONIC INDUSTRIES INC. MAKES NO WARRANTY, EXPRESS OR IMPLIED, REGARDING THE ACCURACY OF THE INFORMATION CONTAINED HEREIN. THE USER ASSUMES ALL LIABILITY FOR ANY DAMAGE OR INJURY TO PERSONS OR PROPERTY, INCLUDING REASONABLE ATTORNEY'S FEES, ARISING FROM THE USE OF THIS INFORMATION IN WHOLE OR IN PART.

DATE	REV	REVISION RECORD	APP	DR	CK
7-12-05	NC	ECO 24331		YK	

NOTES:

1. MATERIALS AND FINISHES:

- INSULATOR: GLASS FILLED POLYESTER, UL 94V-0. COLOR: BLUE.
- SIZE 16 CONTACTS: HIGH CONDUCTIVITY PRECISION MACHINED COPPER ALLOY WITH GOLD FLASH OVER NICKEL.
- SIZE 22 CONTACTS: PRECISION MACHINED COPPER ALLOY WITH GOLD FLASH OVER NICKEL.

2. ELECTRICAL CHARACTERISTICS:

CONTACT CURRENT RATING:

SIZE 16 POWER CONTACTS:

- POSITIONS 22, 23 AND 24: 45 AMPERES CONTINUOUS, ALL CONTACTS UNDER LOAD.

- POSITIONS 1-6: 35 AMPERES CONTINUOUS, ALL CONTACTS UNDER LOAD.

SIZE 22 SIGNAL CONTACTS: 3 AMPERES NOMINAL RATING.

INITIAL CONTACT RESISTANCE; MAXIMUM: PER IEC 512-2, TEST 2b.

SIZE 16 CONTACT: 0.0007 OHMS MAXIMUM.

SIZE 22 CONTACT: 0.004 OHMS MAXIMUM.

INSULATOR RESISTANCE: 5 G OHMS PER IEC 512-2, TEST 3a.

VOLTAGE PROOF:

CONTACTS: 22, 23 AND 24: 3,000 V r.m.s.

CONTACTS: 1 THROUGH 6: 1,500 V r.m.s.

CONTACTS: 7 THROUGH 21: 1,000 V r.m.s.

CREEPAGE AND CLEARANCE

DISTANCE; MINIMUM:

CONTACT 24 TO CONTACT 22: 3.2 [0.126]

CONTACT 23 TO CONTACT 22: 3.2 [0.126]

CONTACT 24 TO SIGNAL CONTACTS: 6.4 [0.252]

CONTACT 23 TO SIGNAL CONTACTS: 6.4 [0.252]

CONTACT 24 TO CONTACT 23: 2.5 [0.098]

CONTACT 22 TO SIGNAL CONTACTS: 2.0 [0.079]

WORKING VOLTAGE:

CONTACTS: 22, 23 AND 24: 1,000 V r.m.s.

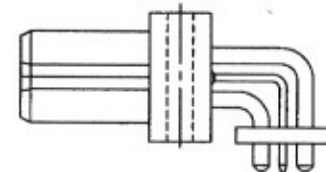
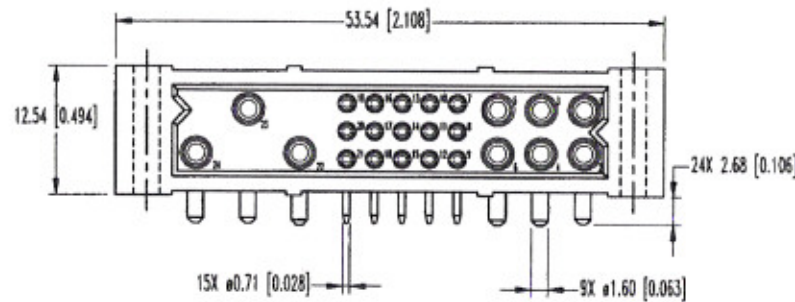
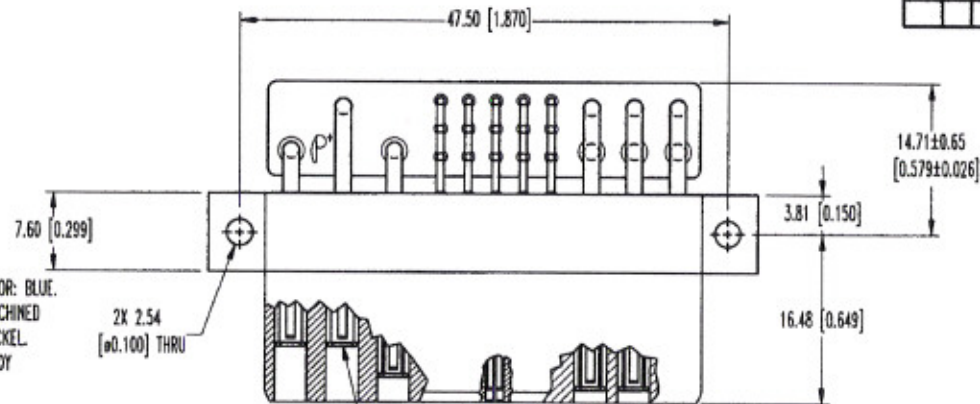
CONTACTS: 1 THROUGH 6: 500 V r.m.s.

CONTACTS: 7 THROUGH 21: 333 V r.m.s.

3. WORKING TEMPERATURE: -55°C TO +125°C.

4. CONNECTORS ARE ROHS COMPLIANT PER ROHS DIRECTIVE 2002/95/EC OF 27 JAN 2003.

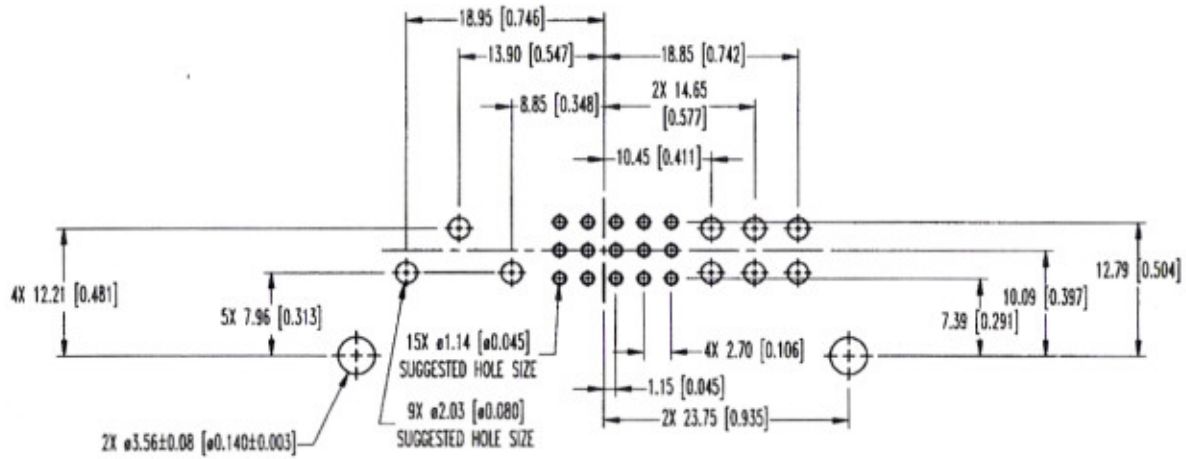
5. DIMENSIONS ARE IN MILLIMETERS [INCHES].



**POSITRONIC INDUSTRIES INC.**  
www.connectpositronic.com

 DECIMAL TOL. ± 0.30 [0.015]	PCI SERIES	SCALE N.T.S.	DRAWN BY YK
	TITLED PCIB24W9F400A1/AA		
 ANGULAR TOL. ± 5°	DATE 7-12-05	DRAWING NUMBER SK6321	REV. NC
	SHEET 1 OF 2		

FORBIDDING NEGLIGENCE INCLUDES THE IDEA OR THE  
 DESIGNING TO BE NEGLIGENT UNDER THE TECHNICAL  
 REQUIREMENTS IS UNDER FULL OF CONTROL. THE USER  
 ASSUMES SUCH RESPONSIBILITY AT THE OWN RISK AND  
 AND NOT. FORBIDDING NEGLIGENCE ASSUMES NO  
 RESPONSIBILITY FOR RESULTS OBTAINED OR DAMAGES  
 INCURRED FROM USE OF SUCH INFORMATION IN  
 WHOLE OR IN PART.





# POSITRONIC INDUSTRIES, INC.

423 N. CAMPBELL · P.O. BOX 8247 · SPRINGFIELD, MO 65801-8247 USA  
TEL. (417) 868-2322 · FAX (417) 868-4115 · TOLL FREE 800-641-4054  
[www.connectpositronic.com](http://www.connectpositronic.com)

2 Sep 2005

Thank you for your request for RoHS compliant part numbers. Positronic Industries shares in the world community's concern regarding environmental protection. Positronic strives to stay abreast of environmental regulations that relate to our connector products and their use in customer applications.

The part numbers listed below are compliant to RoHS Directive 2002/95/EC requirements.

Standard Positronic Part Number	RoHS Compliant Part Number
<b>PCIB26W11F400A1</b>	<b>PCIB26W11F400A1/AA</b>

Please contact me with any questions regarding this request.

Tan Gak Hung / Ivy Leow  
RoHS Customer Liaison



# POSITRONIC INDUSTRIES, INC.

423 N. CAMPBELL • P.O. BOX 8247 • SPRINGFIELD, MO 65801-8247 USA

TEL (417) 866-2322 • FAX (417) 866-4115 • TOLL FREE 800-641-4054

[www.connectpositronic.com](http://www.connectpositronic.com)

7 Sep 2005

Thank you for your request for RoHS compliant part numbers. Positronic Industries shares in the world community's concern regarding environmental protection. Positronic strives to stay abreast of environmental regulations that relate to our connector products and their use in customer applications.

The part numbers listed below are compliant to RoHS Directive 2002/95/EC requirements.

Standard Positronic Part Number	RoHS Compliant Part Number
<b>PCIB24W9M400A1</b>	<b>PCIB24W9M400A1/AA</b>

Please contact me with any questions regarding this request.

Tan Gak Hung / Ivy Leow  
RoHS Customer Liaison

# Certificate

No: B 02 08 47415 003

**TÜV**  
PRODUCT SERVICE

Positronic Industries, Inc.

423 N. Campbell  
Springfield, MO 65801-8247  
USA

*PCIB, PCIC, PCIM  
Series.*

with production facility(ies)  
47363

is authorized to label the following products with the  
certification mark E20  
as shown in the certification mark list. See also notes overleaf.

Product: Baugruppen für ITE Geräte  
Connectors for ITE equipment

Model: PCIB24W9  
See attachment 1 for additional models and ratings.

Parameters: Rated Input Voltage: 250 V (Position 1-6 & 22-24)  
25 V (Position 7-21)  
Rated Input Current: 16 A

For additional information and details see attachment 1.

The product meets the relevant safety requirements and was tested according to  
(report no.: DI203073102)

EN 60950:2000 3rd Edition

Released with the above certificate number by TÜV PRODUCT SERVICE,  
the Product Certification Body of TÜV AMERICA INC.

R - (B 02 06 47415 001)

Department: ELSUSD/JPJ

Date: August 13, 2002



TÜV PRODUCT SERVICE, INC · Danvers · MA · [www.tuvglobal.com](http://www.tuvglobal.com)

Attachment 1 to Certificate Number B 02 08 47415 003

Company: Positronic Industries, Inc.  
423 N. Campbell  
Springfield, MO 65801-8247

**Additional Models:**

Model	Position	Rated Voltage	Rated Current
PCIB24W9	1-6 and 22-24	250Vac / 250 Vdc	16 A
	7-21	25 Vac / 25 Vdc	1.5 A
PCIB26W11	1-6 and 22-26	250Vac / 250 Vdc	15 A
	7-21	25 Vac / 25 Vdc	1.5 A
PCIC16W7	14-16	100Vac / 100 Vdc	15A
	5-13	25 Vac / 25 Vdc	1.5 A
	14-18	100Vac / 100 Vdc	20 A
PCIC16W7R	14-16	100Vac / 100 Vdc	15 A
	5-13	25 Vac / 25 Vdc	1.5 A
	14-16	100Vac / 100 Vdc	20 A
PCIM30W15	1-12 and 28-30	250Vac / 250 Vdc	16 A
	13-27	25 Vac / 25 Vdc	3 A
PCIM34W13	1-10 and 32-34	250Vac / 250 Vdc	16 A
	11-31	25 Vac / 25 Vdc	3 A
PCIM33W18	1-12 and 28-33	250Vac / 250 Vdc	15 A
	13-27	25 Vac / 25 Vdc	3 A
PCIM37W15	1-10 and 32-37	250Vac / 250 Vdc	15 A
	11-31	25 Vac / 25 Vdc	3 A

The model numbers above are followed by the following:

M or F = connector gender: male of female

3, 4, 93 or 94 = type of contact

0 = mounting style

0 = Hoods

A1, A2, C1 or C2 = contact plating for printed board type connectors

For the PCIC series the model number may be followed by a -246.2.

**License Conditions:**

1. Only basic insulation requirements were evaluated between 100/250 V pins and 25 V pins.



*Walter Steen*  
8-13-02

Management Service • Product Service • Industry Service • BABT  
TÜV America Inc. is a subsidiary of Group TÜV SÜddeutschland.



# Aufbauübersicht für Data form for electrical equipment and machinery

# und Maschinen

# TÜV

PRODUCT SERVICE

Seite von  
Page 1 of 2

B 02 08 47415 003

Auftraggeber/Applicant:

Positronic Industries, Inc., 423 N. Campbell Springfield, MO 65801-8247 USA

Fertigungsstätte / Production facility:  
47363

Positronic Industries, Inc., 601 W. Hayward, Mt. Vernon, MO 65712 USA

Geräteart / Type of equipment:

Connectors for ITE Equipment

Typenbezeichnung / Type/model:

PCIB24W9 (see attachment 1 for additional models and ratings)

Seriennr. / Serial no.:

-

Nennspannung/Frequenz / Rated voltage/frequency:

250 V (Position 1-6 & 22-24), 25 V (Position 7-21)

Nennaufnahme/Nennstrom / Rated input power/current:

16 A

Anschlußdaten-Hydraulik / Connection to hydraulic power:

-

Anschlußdaten-Pneumatik / Connection to pneumatic power:

-

Anschlußdaten-Wasser / Connection to water installation:

-

Gewicht / weight:

-

Lärmemission / noise emission (dB A):

-

Ausführung / Construction:

Ortsfest

Stationary

Ortsveränderlich

Portable

Handgerät

Hand-held

Einbaugerät

Open-frame

Schutzklasse / Protection class:

Schutzklasse I:

I:

Schutzleiteranschluß

PE-connection

Schutzklasse II:

II:

Schutzisoliert

Double insulation

Schutzklasse III:

III:

Schutzkleinanzspannung/  
interne Stromversorgung

SELV/internally  
powered

Schutzart / Degree of protection against liquids:

IP Ordinary

Anschlußart / Supply connection:

Feste Anschlußleitung

Non detachable cord

Fester Anschluß

Permanent connection

Gerätesteckverrichtung

Appliance inlet

Netzbetriebsart / Rated operation:

Dauerbetrieb

Continuous operation

Aussetzbetrieb

Intermittent operation

Kurzzeitbetrieb

Short time operation

Material: a) Gehäuse/Enclosure

b) Leiterplatten/p.c.b.

Zusätzliche Angaben für Laser, Klassifizierung nach EN 60825

Additional information for Laser equipment, classification according to EN 60825

Klasse/Class:

Wellenlänge/Wavelength:

Pulsedauer/Pulse duration:

Prüfbericht Nr. / Test Report No.: D1203073101

Ort/place:

Datum/date: 8/13/02

Projektleiter / Project manager: Joseph Janelunas

Stempel und Unterschrift /  
Seal and signature



# Aufbauübersicht für Nichtverlegete und Maschinen

## Data form for electrical equipment and machinery



B 02 08 47415 003

Seite von  
Page 2 of 2

Sicherheitsrelevante Bauteile: (Schalter, Temperaturregler, Heizkörper, Stecker, Fassungen, Leitungen, Kondensatoren, Motoren und sonstige Wicklungen z.B. Transformatoren, Magnetspulen)  
(Not-Aus Geräte, 2-Handsteuerungen, Verriegelungsschalter, Sicherheits-Lichtschränke, Sicherheitsventile, Programmierbare Steuerungen-SPS, hydraulische Steuerungen, pneumatische Steuerungen .....)

Safety relevant components: (switch, temperature regulator, heating element, plug, socket, wiring, capacitor, motors and other components with windings e.g. transformers, coils)  
(emergency off devices, 2-hand-control-devices, interlock switches, safety light barriers, safety valves, programmable electronic controllers -PLC, hydraulic controllers, pneumatic controllers .....)

Bauteil/ Kind of component	Hersteller/ Manufacturer	Angaben über Typ, Stromstärke, Leistung, Transformatorspezifikationsnummer, Isolationsklasse/ Information about type, current, power, transformer specification number, insulating class	Prüfzeichen von Test mark from (VDE, BSI, UL etc.)
Thermoplastic Polyester Resin	Dupont	Crastin SK652FR1, UI 94V-0	UL

Prüfbericht Nr. / Test Report No.: D1203073101

Ort / place:

Datum / Date: 8/13/02

Projektleiter / Project manager: Joseph Janelunas

Stempel und Unterschrift /  
Seal and signature

